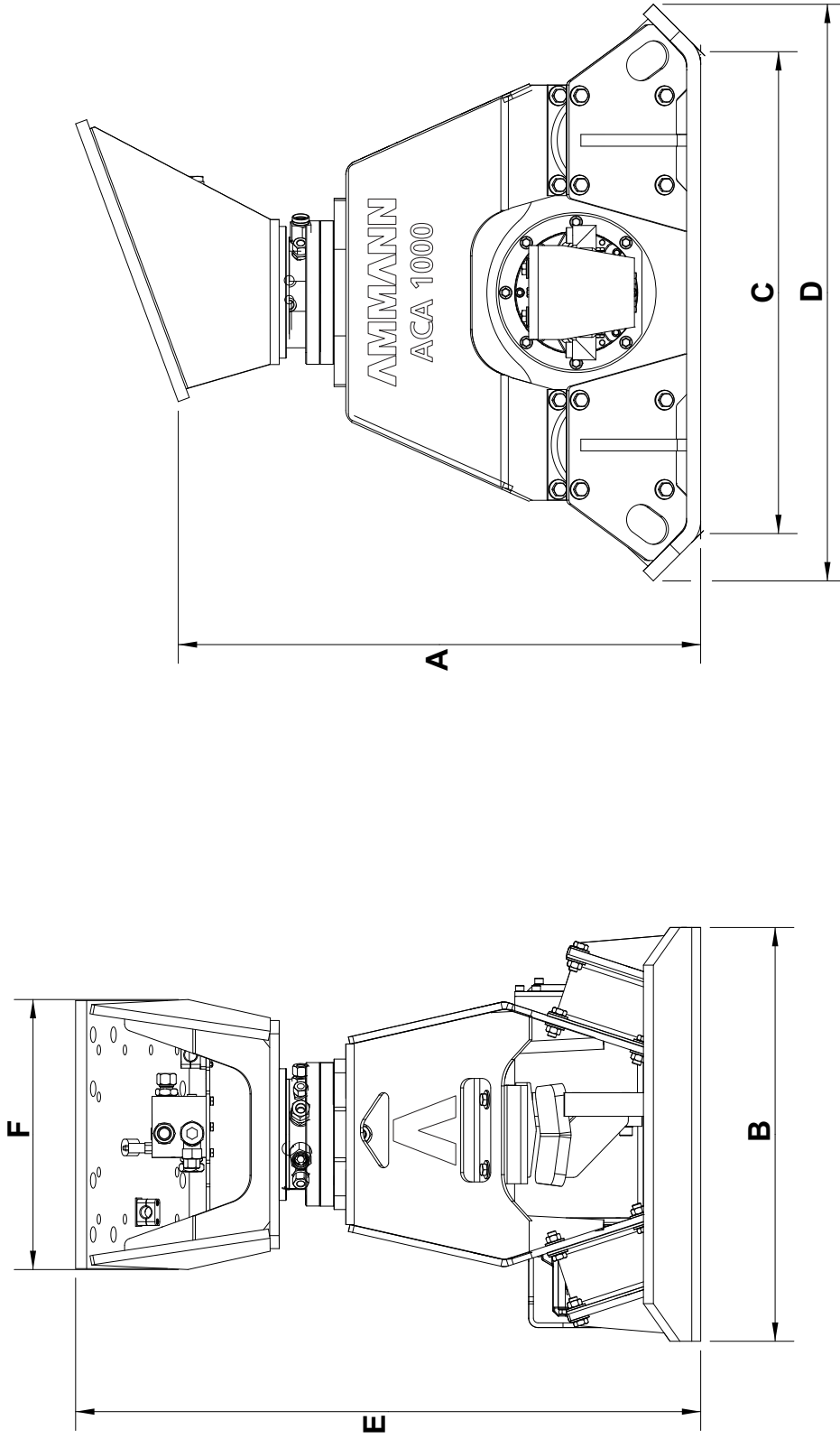


1.0 Specifications



ACA 1000	
A:	1112 mm
B:	880 mm
C:	1025 mm
D:	1226 mm
E:	1330 mm
F:	574 mm

1.1 Main dimensions

ACA 1000			
Dimensions:			
Working width		mm	880
Overall width		mm	880
Overall length		mm	1226
Overall height		mm	1330
Weights:			
Operational weight:		kg	1000
Recommended size of carrier unit:		to	18-40
Vibration system:			
Centrifugal force:	Vibration forwards:	kN	110
	Vibration reverse:	kN	
Amplitude:	Vibration forwards:	mm	
	Vibration reverse:	mm	
Frequency:	Vibration forwards:	Hz	30
	Vibration reverse:	Hz	
Filling capacities:			
Required oil quantity for vibration:		l	140
Max. operating pressure:		bar	250
Runback pressure:		bar	10