

ZW65
ZW75
ZW95



WHEEL LOADER

- **Model Code:** ZW65 / ZW75 / ZW95
- **Operating Weight:** ZW65: 5 140 kg / ZW75: 5 340 kg / ZW95: 6 280 kg
- **Bucket Capacity:** ISO Heaped: ZW65: 0.7 - 0.85 m³
ZW75: 0.7 - 1.05 m³
ZW95: 0.9 - 1.2 m³
- **Max. Engine Output:** ZW65: 45.6 kW (59.9 HP)
ZW75: 45.6 kW (59.9 HP)
ZW95: 53.1 kW (71.2 HP)

Walk around

The ZW compact wheel loaders are comfortable, reliable and suitable for a wide variety of job sites. The dynamic design is a result of in-depth research into a full range of key functions. The ZW compact wheel loaders have been equipped with innovative features in answer to the demands placed on versatile compact machinery. The benefits include operator comfort and safety, increased productivity due to smooth control and operation, easy maintenance and an environmentally friendly design.

Comfort [page 4](#)

- Spacious cab
- Comfortable seat with adjustable armrests
- Adjustable steering column
- Easy access to cab
- Excellent all-round visibility
- Large easy-to-read instrument panel
- Ergonomically designed controls
- New low-noise engine

New Z-bar loader linkage [page 8](#)

- Enhanced visibility of attachment from the cab
- Excellent parallel lifting with fork attachment
- Suitable for ground finishing work with bucket

Complete versatility [page 8](#)

- Compatible with a wide range of attachments
- New designed quick coupler
- Compact overall size



Operating weight: 5 140
Bucket capacity: 0.7 - 0.85
Max. Engine output: 45.6 kW (59.9 HP)

Operating weight: 5 340
Bucket capacity: 0.7 - 1.05
Max. Engine output: 45.6 kW (59.9 HP)

Operating weight: 6 280
Bucket capacity: 0.9 - 1.2
Max. Engine output: 53.1 kW (71.2 HP)

ZW65



ZW75



ZW95



Simple operation page 6

- Easy to manoeuvre with multi-function joystick
- Large lifting capacity
- Large Traction force
- Two-cylinder steering system
- Limited Slip Differential (LSD)



Easy maintenance page 10

- Engine cover opens fully
- Convenient access to fuel filter and radiator
- Easy to clean cab floor
- Large fuel tank is easy to locate and refill



After service page 11

- Global parts distribution network
- Hitachi extended life program





Comfortable operation

The suspension seat in the cab has been designed to enhance comfort and reduce operator fatigue. The compact wheel loader has a wide adjustable armrest, and a retractable seat belt. The large display monitor is easy to read and enables the operator to assess the machine's status at a glance. All controls, pedals and switches are ergonomically positioned and allow the operator to control the machine comfortably and easily. The steering column can be tilted according to the operator's preference. The improved steering performance means that operators will find it easier to operate.

Spacious cab

The large, sound-suppressed cab is more spacious and provides a comfortable, stress-less working environment for long periods of operation. Sound levels within the cab are minimised due to the low-noise engine design and sealed cab design. It has also been designed to conform to ROPS/FOPS.

Easy access

Large step and a large glass door on the right-hand side allow the operator to enter the cab comfortably and with ease. Both doors on either side of the machine open 180 degrees, which provides excellent ventilation. The operator can work comfortably with easy access to fresh air, particularly in warm weather.





COMFORTABILITY



All-round visibility

The compact wheel loader provides excellent 360-degree visibility on any job site. The frame has been designed to accommodate a large front window, glass doors on either side of the cab and rear window. A small, rounded engine cover enhances the rear view visibility, improving safety while the operator is working or driving from one job site to another. Even in tough weather conditions, visibility is maintained by a defroster installed at the front and an electric wire heater at the rear.





Easy to control

The compact wheel loader is easy to manoeuvre using a multi-function joystick lever with integrated FNR switches. Controls are close at hand, allowing the operator to change the operational mode of the machine with minimal effort. The two-cylinder steering system contributes to the smooth and precise operation of the compact wheel loader. A cylinder is installed on both sides of the machine, ensuring balanced steering. The large traction force provides excellent mobility. Loading with a fork attachment is simple thanks to the stable and horizontal movement of the fork.

Compact yet powerful

Equipped with a large fuel tank, the compact wheel loader can work for lengthy periods of time without the need to stop and refuel. The limited slip differential (LSD) ensures the compact wheel loader can be driven safely on uneven and difficult terrain, enhancing the tires' grip on snow-covered and muddy roads, for example. It also helps tires to last longer. Although it is a compact wheel loader, it has a relatively large loading capacity of at least two tonnes. This minimises the repetition of loading and lifting, which enhances productivity and efficiency.

Excellent stability

Extensive research by Hitachi engineers into the wheel loader's centre of gravity has helped to secure the overall balance of the machine, so that excellent stability is maintained during operation. The rear axle oscillation (RAO) angle has been designed to improve the wheel loader's stability when travelling on uneven ground, ensuring minimum disturbance to the interior of the cab.





OPERATION





Compatible design

The compact wheel loader can be used with a variety of attachments due to the new designed quick coupler. This increases the machine's versatility on a wide range of job sites. Switching attachments is quick and easy – the operator can fix and remove the pins using the multi-functional lever in the cab, which helps to increase productivity. A cover protects the hydraulic cylinder that is used for the quick coupler, helping it to last longer.

Applications

The compact wheel loader is suitable for use on a variety of job sites. Its compact overall size and dimensions make it easy to transport and also enable it to work in confined spaces. The quick coupler, compatible with a wide range of attachments, also contributes to its versatility. Ideal for agricultural and gardening projects, the compact wheel loader can be used for earthmoving, transporting materials and snow removal. It is also suitable for use on urban construction sites, public works and recycling plants.

New Z-bar loader linkage

The new Z-bar loader linkage has significantly enhanced the operator's view of the attachment during operation, which improves safety and efficiency on the job site. In addition, it improves the smooth, parallel lifting movement of the fork. It also allows the bucket to be tilted at a 90-degree angle to the ground so the machine can perform ground-finishing work.





VERSATILITY





MAINTENANCE

Easy access

With an easy-to-lift engine cover that opens fully, maintenance staff can access all major components and service points of the compact wheel loader from ground level. The cover requires only a small amount of force to open smoothly. As it opens fully, workers have enough space to carry out daily routine maintenance easily and comfortably. The battery booster cable, for example, is located conveniently so that it is easy to connect, making any unexpected battery problems simple to resolve. The engine can be inspected at a glance and work can be carried out easily on any part, without the need for the operator to bend or stretch their backs while working, or move around the exterior of the machine. This not only helps to reduce fatigue during maintenance work, but also improves efficiency. Easy maintenance reduces the frequency of unexpected minor problems.



Easy cleaning

The interior of the cab is simple to clean, because both doors can be opened 180 degrees and allow easy removal of dirt from either side of the wheel loader. The fuel filter and radiator are also easy to access, which means that regular maintenance work is a simple task.

Easy refills

The fuel cap of the compact wheel loader is positioned conveniently for the operator to enable easy refuelling. In addition, the large capacity fuel tank minimises the time spent refuelling during work hours, which increases productivity. The window screen wash tank, which requires daily refills, is within easy reach of the operator and located under the steps. The position of the compact wheel loader's wiper motor has also been considered, so that the window wiper operation does not obscure visibility.



Parts

HITACHI only offers genuine high quality parts. We guarantee that these parts have high performance and long life. We manage around 1 000 000 types of parts all around the world. They are designed and built to be the best match for your HITACHI equipment. HITACHI has a global parts distribution network that makes sure you get what you need as quickly as possible. We have more than 150 dealers worldwide who provide the closest support for your needs. In most cases, your dealer will have the replacement part that you require. If a dealer does not have a certain part, he can order it from four fully stocked parts depots located across the world. These distribution centres are all connected by an online system that gives them access to shared information on stocks, such as the number and type of available parts. The depots, which in turn are stocked by a parts centre in Japan, minimize delivery time and enable you to get your parts as efficiently and quickly as possible.



PARTS & SERVICE



Service

Our goal is to “keep customer equipment at a maximum performance level”. To fulfil this goal, we have set more than 150 dealers all over the world. They have highly trained technicians, and provide a number of support programs. HITACHI provides a unique extended warranty program called HITACHI Extended Life Program, or HELP. To keep our customers' equipment in top running shape, good service is indispensable. We believe personnel training is the key to providing the best service. If you would like more information regarding parts and/or service, please ask your nearest HITACHI dealer. Not all programs and/ or services are available in every market or region.

SPECIFICATIONS

ENGINE

		ZW65	ZW75	ZW95
Model		KUBOTA V3307-DI-T		
Type		4-cycle water-cooled, direct injection		
No. of cylinders		4		
Maximum power	ISO 9249, net	45.6 kW / 2 200 min ⁻¹ (rpm)		53.1 kW / 2 400 rpm
	ISO 14396, ECE R120	46.6 kW / 2 200 min ⁻¹ (rpm)		54.6 kW / 2 400 rpm
Bore and stroke		94 mm x 120 mm		
Piston displacement		3.331 L		
Batteries		12V×781 CCA, 170-min. rated reserve		
Air cleaner		Double stage dry type		

POWER TRAIN

		ZW65	ZW75	ZW95
Transmission controls		Hydrostatic transmission (HST) automatically controls power and speed		
Travel speed: Forward & Reverse		20 km/h with 12.5-18 tires	20 km/h with 365/70R18 tires	20 km/h with 14.5-20 tires

AXLE AND FINAL DRIVE

		ZW65	ZW75	ZW95
Drive system		Four-wheel drive system		
Front & rear axle		Semi-floating		
	Front	Fixed to the front frame		
	Rear	Center pivot		
Oscillation angle		Total 22° (±11°)	Total 22° (±11°)	Total 22° (±11°)
Final drives		Heavy-duty, planetary final drive		

TIRES (tubeless)

		ZW65	ZW75	ZW95
Standard		12.5-18-10PR	365/70R18	14.5-20-12PR

BRAKES

		ZW65	ZW75	ZW95
Service brakes		Center-mounted drum brake hydraulic actuated		
Parking brake		Center-mounted drum brake mechanically actuated		

STEERING SYSTEM

	ZW65	ZW75	ZW95
Type	Articulated frame steering		
Steering mechanism	Full hydraulic power steering with orbitrol		
Steering angle	Each direction 40°; total 80°		Each direction 39°; total 78°
Relief pressure setting	18.1 MPa (185 kgf/cm ²)		
Cylinders	Double-acting piston type		
No. x Bore x Stroke	2 x 45 mm x 340 mm		2 x 50 mm x 340 mm
Minimum turning radius at the centerline of outside tire	3 515 mm		3 800 mm

HYDRAULIC SYSTEM

	ZW65	ZW75	ZW95	
Control lever type	Arm and bucket are controlled by mechanical single control lever			
Lift arm controls	Three position valve; Raise, lower, float			
Bucket controls	Two position valve; Tilt back, dump			
Quick-coupler controls	Three position valve			
Main pump (Loading & steering)	Gear type 72 L/min 2 200 min ⁻¹ (rpm) at 20.6 MPa (210 kgf/cm ²)	Gear type 80 L/min 2 200 min ⁻¹ (rpm) at 20.6 MPa (210 kgf/cm ²)	Gear type 88 L/min 2 400 min ⁻¹ (rpm) at 20.6 MPa (210 kgf/cm ²)	
Relief pressure setting	20.6 MPa (210 kgf/cm ²)			
Hydraulic cylinders	Type	Two lift arm and one bucket, double acting type		
	No. x Bore x Stroke	Lift arm: 2 x 80 mm x 652 mm Bucket: 1 x 90 mm x 367 mm	Lift arm: 2 x 85 mm x 652 mm Bucket: 1 x 95 mm x 367 mm	Lift arm: 2 x 95 mm x 635 mm Bucket: 1 x 110 mm x 396 mm
Filters	Full-flow 10 micron return filter before reservoir			
Hydraulic cycle times	Lift arm raise	5.5 s	5.6 s	6.2 s
	Lift arm lower	3.8 s	3.6 s	4.1 s
	Bucket dump	0.9 s		1.7 s

SERVICE REFILL CAPACITIES

	ZW65	ZW75	ZW95
Fuel tank	77 L		88 L
Engine coolant	11 L		
Engine oil	11 L		
Front axle differential & wheel hubs	6 L		
Rear axle differential & wheel hubs	8 L		
Hydraulic reservoir tank	46 L		53 L

NOISE LEVELS

The ZW65 / ZW75 / ZW95 conforms to the 2006 European Machine Directive Noise Level (2000/14/CE) of 99 dB(A) for this class of machine.

STANDARD & OPTIONAL EQUIPMENT

Note: ● Standard equipment ○ Optional equipment

	ZW65	ZW75	ZW95
ENGINE			
Coolant recovery tank	●	●	●
Environmentally friendly engine oil drain	●	●	●
Quick-release fuel filter and water separator	●	●	●
Preheat glow system (for cold start)	●	●	●
Double-element air cleaner	●	●	●
POWER TRAIN			
Hydrostatic transmission (HST), electronic shift control, hydrostatic oil cooler, inching pedal, and forward and reverse	●	●	●
HYDRAULIC SYSTEM			
Automatic bucket return-to-dig control	none	none	none
Hydraulic filters, vertical mounting	●	●	●
Two-function hydraulic valve with joystick control (mechanical controlled)	none	none	none
Three-function hydraulic valve with joystick control and auxiliary lever for third function (mechanical controlled)	●	●	●
ELECTRICAL			
12-volt electrical system	●	●	●
Standard batteries (1), 12 volt with 781 CCA, 170-min. rated reserve	●	●	●
Alternator, 80 amps and 12 volts	●	●	●
Lights Driving turn signals with guard / Stop, and tail lights (Conform to ISO12509)	●	●	●
Working lights, rear (2)	●	●	●
Horn, with push button at top of light lever and behind of multi-function joystick	●	●	●
Backup alarm	●	●	●
Monitor and warning system, multi-function electronic analog instruments: Engine coolant temperature / Fuel level / Hour-meter	●	●	●
Operator warning lights: Brake oil / Engine oil pressure / Engine water temp. / Air cleaner clogged / Parking brake / Alternator voltage (charge)	●	●	●
Indicator lights: Turn signals / forward / Reverse / Upper beam / Position lamp	●	●	●
Parking brake	●	●	●

	ZW65	ZW75	ZW95	
OPERATOR'S STATION				
ROPS*/FOPS** Cab	●	●	●	
Cab	Heater/Defroster	●	●	
	Seat belt, 50 mm	●	●	
Seat, fabric covered, mechanical suspension, adjustable for weight-height, fore-aft position, backrest tilt	●	●	●	
Rubber floormat	●	●	●	
Steering wheel, textured with spinner knob	●	●	●	
Rear view mirrors, outside (2)	●	●	●	
Handholds, steps, and slip resistant	●	●	●	
LOADER LINKAGE				
Z-bar loader linkage	●	●	●	
BUCKETS				
Full line of Hitachi coupler buckets with selection of bolt-on teeth				
General purpose bucket with bolt on teeth	0.7 m ³ (ISO heaped)	●	○	none
	0.85 m ³ (ISO heaped)	○	●	none
	1.05 m ³ (ISO heaped)	none	none	●
Light material handling bucket with bolt on teeth	0.85 m ³ (ISO heaped)	○	none	none
	1.05 m ³ (ISO heaped)	none	○	none

* : ROPS (Roll Over Protective Structure) Conforms to ISO 3471:1994

** : FOPS (Falling Objects Protective Structure) Conforms to ISO 3449; 2005

Note: ● Standard equipment ○ Optional equipment

	ZW65	ZW75	ZW95
--	------	------	------

BUCKETS AND ATTACHMENTS

Full line of construction utility forks, pallet forks, and attachments

Fork attachment	<input type="radio"/>	<input type="radio"/>	<input type="radio"/>
-----------------	-----------------------	-----------------------	-----------------------

TIRES

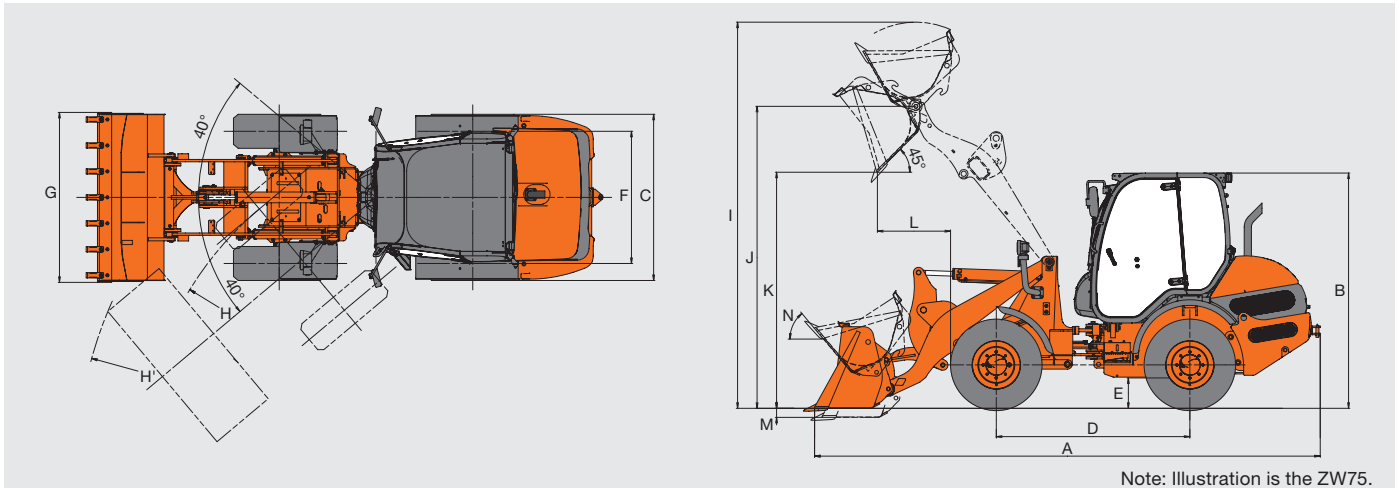
Bias ply	12.5-18 10 pr	●	○	none
	14.5-20 12 pr	none	none	●
Radial	335/80R18	○	○	none
	365/70R18	○	●	none
	405/70R18	○	○	none
	405/70R20	none	none	○

OTHERS

Vandal protection, includes lockable engine enclosure, and fuel fill	●	●	●
Counterweight, built-in	●	●	●
Power steering	●	●	●
Lifting lug (4-point support)	●	●	●
Quick coupler	●	●	●

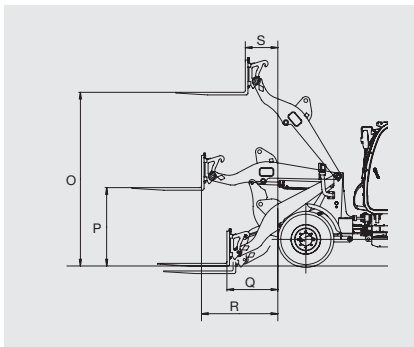
DIMENSIONS & SPECIFICATIONS

ZW65



Lift arm		Standard lift arm with quick-coupler		
Bucket type		General purpose	Light material handling	
		With bolt-on teeth	With bolt-on teeth	
Bucket capacity	ISO heaped	m ³	0.7	0.85
	ISO struck	m ³	0.56	0.7
A Overall length		mm	5 280	5 365
B Overall height, bucket on ground		mm	2 480	2 480
C Width over tires		mm	1 735	1 725
D Wheel base		mm	2 050	2 050
E Ground clearance		mm	310	310
F Tread		mm	1 400	1 400
G Bucket width		mm	1 800	1 800
H Turning radius (centerline of outside tire)			3 515	3 515
H' Loader clearance circle, bucket in carry position	mm		4 165	4 190
I Overall operating height		mm	3 980	4 080
J Height to hinge pin, fully raised		mm	3 190	3 190
K Dump clearance 45 degree, full height		mm	2 550	2 490
L Reach, 45 degree dump, full height		mm	705	765
M Digging depth (horizontal digging angle)		mm	105	105
N Max. tilt back at carry position		deg	50	50
Static tipping load *	straight	kgf	3 750	3 725
	Full 40 degree turn	kgf	3 200	3 170
Breakout force		kN (kgf)	42.3	36.9
Operating weight *		kg	5 140	5 165

WITH FORK ATTACHMENT



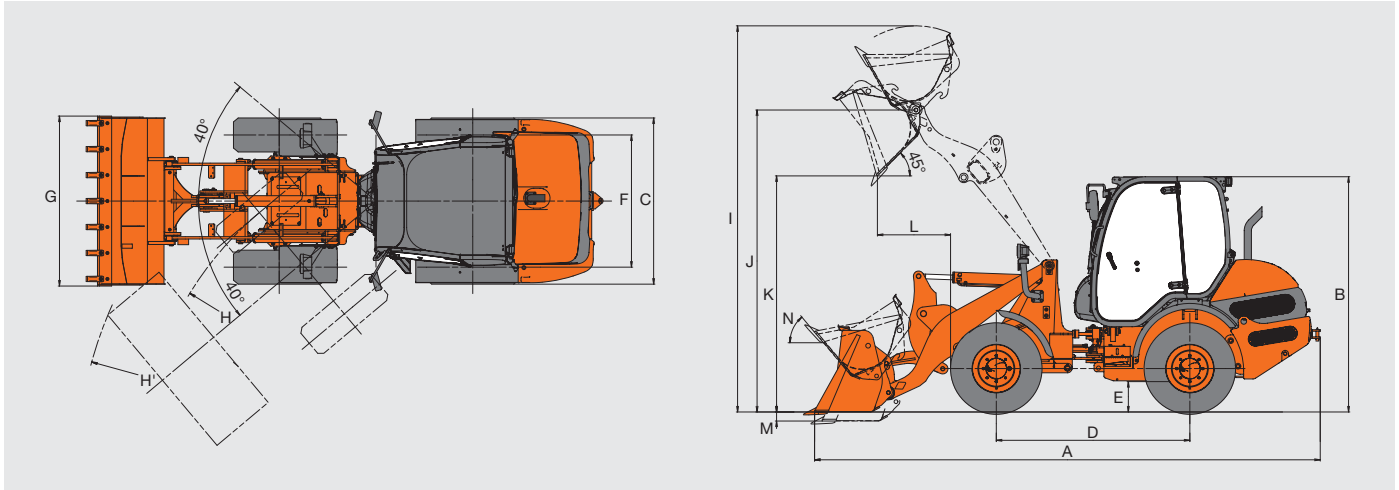
Attachment type		Standard lift arm with quick-coupler	
		Fork	
O Max. stacking height	mm		2 995
P Height of forks at maximum reach	mm		1 345
Q Reach at ground level	mm		875
R Max. reach	mm		1 310
S Reach at max. stacking height	mm		550
Static tipping load *	straight	kgf	2 840
	Full 40 degree turn	kgf	2 420
Max. payload per EN 474-3, 80%	kg		1 935
Max. payload per EN 474-3, 60%	kg		1 450
Fork tine length	mm		1 200
Operating weight	kg		5 130

Notes: 1. All dimensions, weight and performance data based on ISO 6746-1:1987, ISO 7131:1997 and ISO 7546:1983

2. Static tipping load and operating weight marked with * include 12.5-18-10PR tires (no ballast) with lubricants, coolant, full fuel tank and operator.

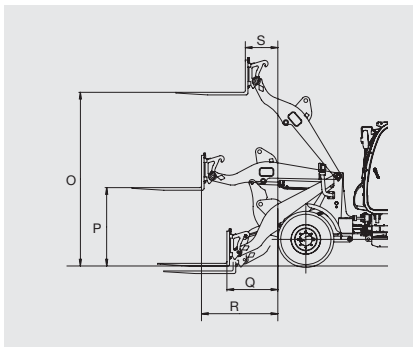
Machine stability and operating weight depend on counterweight, tire size and other attachments.

ZW75



Lift arm		Standard lift arm with quick-coupler		
Bucket type		General purpose		
		With bolt-on teeth	Light material handling With bolt-on teeth	
Bucket capacity	ISO heaped	m ³	0.85	1.05
	ISO struck	m ³	0.7	0.85
A Overall length		mm	5 355	5 380
B Overall height, bucket on ground		mm	2 490	2 490
C Width over tires		mm	1 760	1 760
D Wheel base		mm	2 050	2 050
E Ground clearance		mm	320	320
F Tread		mm	1 400	1 400
G Bucket width		mm	1 800	1 800
H Turning radius (centerline of outside tire)			3 515	3 515
H' Loader clearance circle, bucket in carry position	mm		4 185	4 195
I Overall operating height		mm	4 090	4 140
J Height to hinge pin, fully raised		mm	3 200	3 200
K Dump clearance 45 degree, full height		mm	2 500	2 485
L Reach, 45 degree dump, full height		mm	775	790
M Digging depth (horizontal digging angle)		mm	95	95
N Max. tilt back at carry position		deg	50	50
Static tipping load *	straight	kgf	3 880	3 845
	Full 40 degree turn	kgf	3 305	3 270
Breakout force		kN (kgf)	42.3	40.7
Operating weight *		kg	5 340	5 365

WITH FORK ATTACHMENT



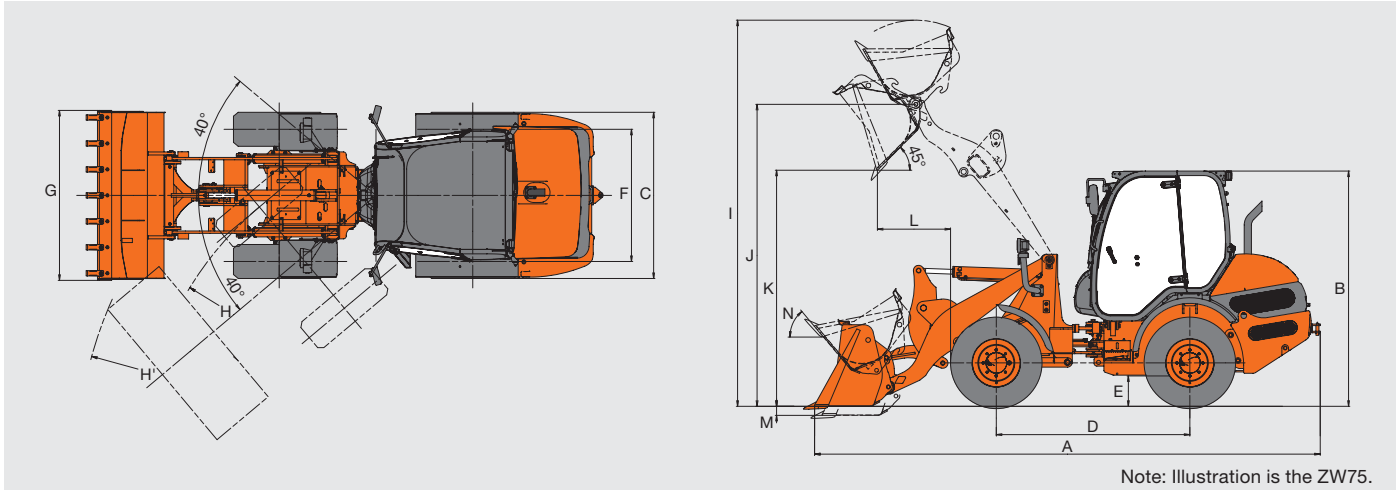
Attachment type		Standard lift arm with quick-coupler	
		Fork	
O Max. stacking height	mm		3 005
P Height of forks at maximum reach	mm		1 355
Q Reach at ground level	mm		880
R Max. reach	mm		1 320
S Reach at max. stacking height	mm		560
Static tipping load *	straight	kgf	2 955
	Full 40 degree turn	kgf	2 520
Max. payload per EN 474-3, 80%	kg		2 015
Max. payload per EN 474-3, 60%	kg		1 510
Fork tine length	mm		1 200
Operating weight	kg		5 300

Notes: 1. All dimensions, weight and performance data based on ISO 6746-1:1987, ISO 7131:1997 and ISO 7546:1983

2. Static tipping load and operating weight marked with * include 365/70R18 tires (no ballast) with lubricants, coolant, full fuel tank and operator.

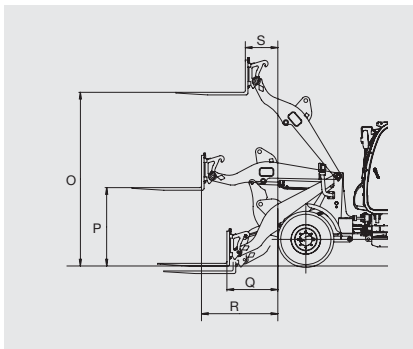
Machine stability and operating weight depend on counterweight, tire size and other attachments.

ZW95



Lift arm		Standard lift arm with quick-coupler	
Bucket type		General purpose	
		With bolt-on teeth	
Bucket capacity	ISO heaped	m ³	1.05
	ISO struck	m ³	0.85
A Overall length		mm	5 735
B Overall height, bucket on ground		mm	2 575
C Width over tires		mm	1 885
D Wheel base		mm	2 150
E Ground clearance		mm	380
F Tread		mm	1 530
G Bucket width		mm	2 000
H Turning radius (centerline of outside tire)			3 800
H' Loader clearance circle, bucket in carry position	mm		4 570
I Overall operating height		mm	4 330
J Height to hinge pin, fully raised		mm	3 390
K Dump clearance 45 degree, full height		mm	2 675
L Reach, 45 degree dump, full height		mm	855
M Digging depth (horizontal digging angle)		mm	90
N Max. tilt back at carry position		deg	50
Static tipping load *	straight	kgf	4 235
	Full 40 degree turn	kgf	3 560
Breakout force		kN (kgf)	54
Operating weight *		kg	6 280

WITH FORK ATTACHMENT



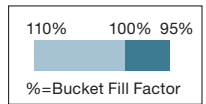
Attachment type		Standard lift arm with quick-coupler	
		Fork	
O Max. stacking height	mm		3 195
P Height of forks at maximum reach	mm		1 395
Q Reach at ground level	mm		1 035
R Max. reach	mm		1 455
S Reach at max. stacking height	mm		625
Static tipping load *	straight	kgf	3 390
	Full 40 degree turn	kgf	2 880
Max. payload per EN 474-3, 80%	kg		2 305
Max. payload per EN 474-3, 60%	kg		1 730
Fork tine length	mm		1 200
Operating weight	kg		6 220

Notes: 1. All dimensions, weight and performance data based on ISO 6746-1:1987, ISO 7131:1997 and ISO 7546:1983

2. Static tipping load and operating weight marked with * include 14.5-20-12PR tires (no ballast) with lubricants, coolant, full fuel tank and operator.

Machine stability and operating weight depend on counterweight, tire size and other attachments.

BUCKET SELECTION GUIDE



ZW65			Bucket Capacity m ³	Material density kg/m ³						
				1.2	1.4	1.6	1.8	2.0	2.2	
Standard lift arm with quick-coupler	General purpose	With bolt-on teeth	0.7					110%	100%	
	Light material handling	With bolt-on teeth	0.85			110%	100%			

ZW75			Bucket Capacity m ³	Material density kg/m ³						
				1.2	1.4	1.6	1.8	2.0	2.2	
Standard lift arm with quick-coupler	General purpose	With bolt-on teeth	0.85				110%	100%		
	Light material handling	With bolt-on teeth	1.05		110%	100%				

ZW95			Bucket Capacity m ³	Material density kg/m ³						
				1.2	1.4	1.6	1.8	2.0	2.2	
Standard lift arm with quick-coupler	General purpose	With bolt-on teeth	1.05				110%	100%		

ZW65 ZW75 ZW95

These specifications are subject to change without notice.
Illustrations and photos show the standard models, and may or may not include optional equipment, accessories, and all standard equipment with some differences in colour and features.
Before use, read and understand the Operator's Manual for proper operation.