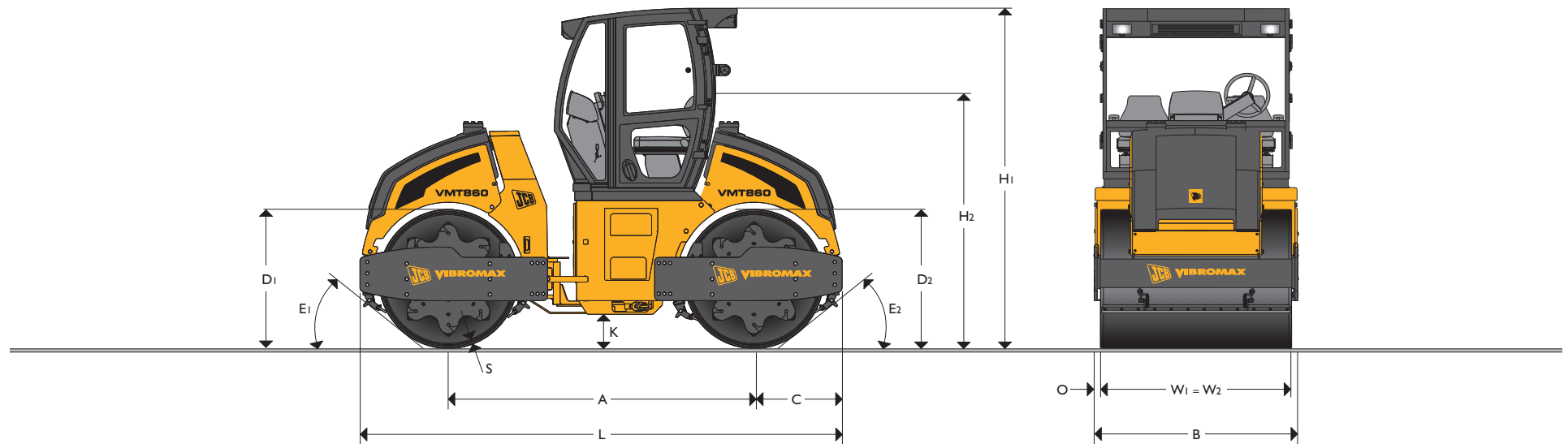


MAX. DRUM WIDTH: 1675mm (66in) MAX. OPERATING WEIGHT: 8750kg (19290lb) with ROPS, 9250kg (20392lb) with ROPS/FOPS cab



STATIC DIMENSIONS

Dimensions in millimetres (in)		
A	Wheelbase	2690 (106)
B	Overall width	1845 (73.8)
C	Axle to rear face	770 (30.3)
D1=D2	Drum diameter	1220 (48)
H1	Total travel clearance	3000 (118.1)
H2	Height to top of seat	2225 (88)
K	Ground clearance	300 (11.8)
L	Total travel length	4230 (166.5)
O	Overhang	85 (3.35)
S	Drum thickness	17 (0.67)
W1=W2	Drum width	1675 (66)
E1	Front departure angle	42°
E2	Rear departure angle	42°

OPERATING DATA

		with ROPS	with cab
Operating weight (CECE)	kg (lb)	8750 (19290)	9250 (20392)
Operating axle load front/rear	kg (lb)	4080 (8995)/4670 (10295)	4330 (9546)/4920 (10846)
Operating linear load front/rear	kg/cm (lb/in)	24.4 (136)/27.9 (156)	25.9 (145)/29.4 (164)
		Vibration stage 1	Vibration stage 2
Exciter frequency	Hz (vpm)	33 (2000)	50 (3000)
Nominal amplitude	mm (in)	1.1 (0.043)	0.23 (0.009)
Centrifugal force per drum	kN (lbf)	71 (15961)	37 (8318)
Compaction depth up to	cm (in)	70 (28)	
Working width	mm (in)	1675	
Working speed (forward/reverse) max.	km/h (mph)	5.5 (3.42)	
Travel speed (forward/reverse) max.	km/h (mph)	11.5 (7.15)	
Steering lock angle	degrees	±25	
Oscillation angle	degrees	±10	
Inner turning radius	m (in)	5.2 (204.7)	
Outer turning radius	m (in)	7.1 (279.5)	
Gradeability up to	degrees (%)	22 (40)	

ENGINE

Four-cylinder, liquid-cooled, four-stroke diesel engine, turbocharged

Make	JCB	
Model	Dieselmax (TIER3)	
Piston displacement	cm ³ (in ³)	4399 (268)
Performance – DIN 6271	kW (hp)	63 (85)
Operating speed	min ⁻¹ (rpm)	2200 (2200)
Starting device	Electric motor	
Air cleaner	Dry cartridge plus safety cartridge	
Fuel filter	Cartridge	

PROPULSION

Hydrostatic with variable displacement pump and fixed displacement motors with direct drive to both drums = double drum drive.

EXCITER DRIVE

Electrically controlled hydrostatic direct drive on both drums for double vibration or single vibration front or rear.

EXCITER

Single-shaft circular exciter with overturning weights.

STEERING SYSTEM

Servo assisted, maintenance free center articulation with oscillation facility.

SERVICE CAPACITIES

Fuel	litres (US gal)	240 (63.4)
Hydraulic oil	litres (US gal)	85
Sprinkler water, front / rear	litres (US gal)	535/535 (141.3)

BRAKING SYSTEM

Service brake: Hydrostatic propulsion system.

Parking brake: Hydraulically released brake on both drums (SAHR)

ELECTRICAL SYSTEM

Voltage	V	12
Battery capacity	Ah	143
Alternator	A	max. 95

INDICATORS AND GAUGES

Fuel, battery charging current, sprinkler system, parking brake, hour meter, engine oil pressure, water in fuel, air filter condition, hydraulic oil level and temperature, hydraulic oil filter condition, water level indicator, engine temperature, drive lever neutral position.

STANDARD EQUIPMENT

Vibration isolated, spacious, ergonomic and comfortable driver stand with two seats, one central drive lever and swivelling steering wheel.

OPTIONAL EQUIPMENT

ROPS (standard at CE), sunroof, road lights, work lights, rotating beacon, battery isolation switch, backup alarm, cab with ROPS/FOPS, heating, aircon, edge cutter, vandalism kit.

