

# The new RAGNO generation

## RAGNO TZX 225

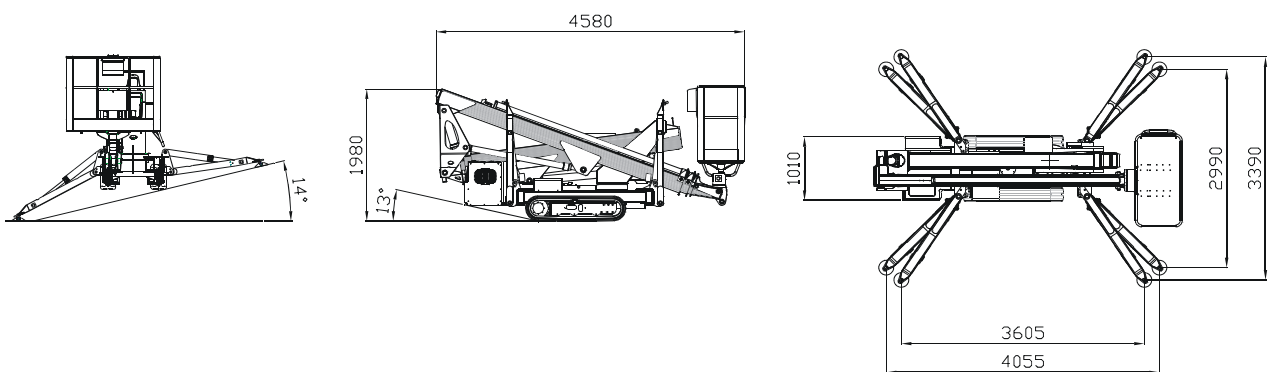
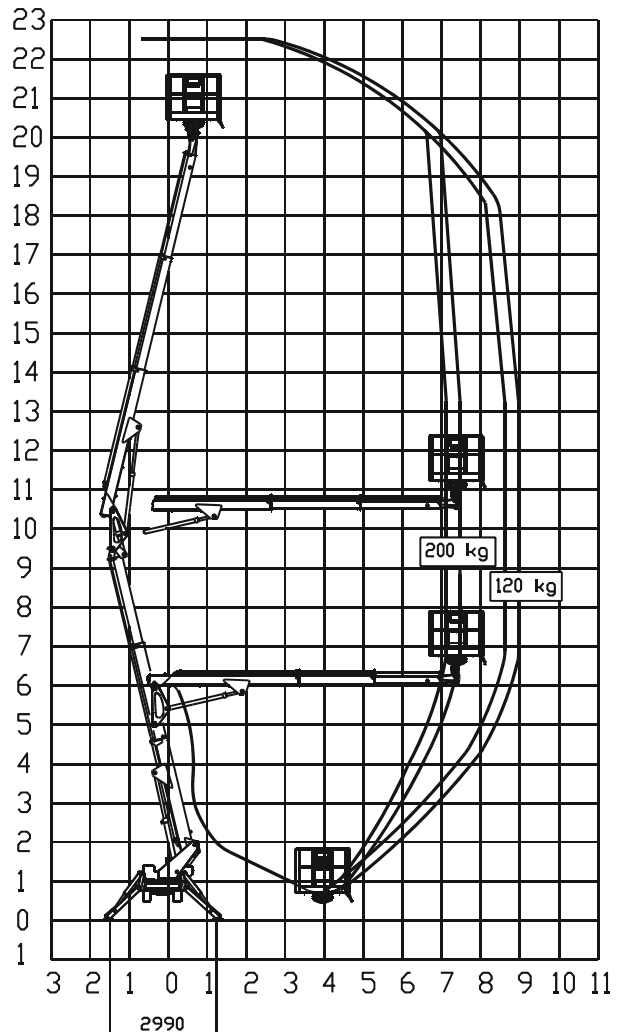
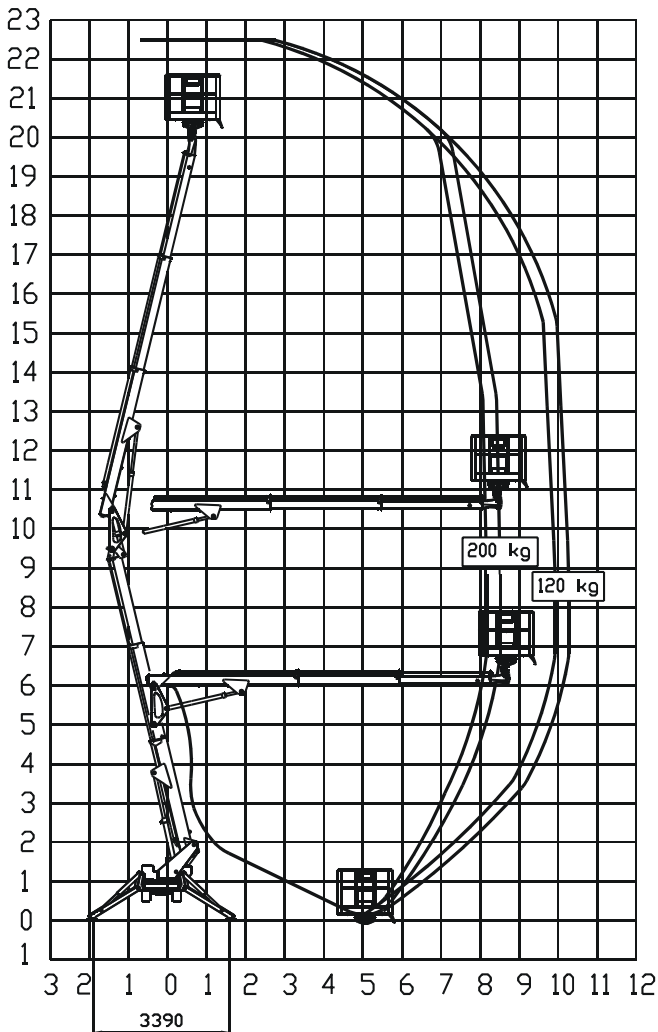
22.5 m max w.h.  
120-200 kg s.w.l.  
variable set-up  
with automatic  
self-levelling

articulated and  
telescopic alu.  
booms





# RAGNO Palazzani TZX 225



MOTORE DIESEL	DIESEL ENGINE	DIESELMOTOR	MOTEUR DIESEL	KUBOTA Z 602
MOTORE ELETTRICO	ELECTRIC MOTOR	ELEKTROMOTOR	MOTEUR ELECTRIQUE	230VAC - 2,4KW
PENDENZA MAX	MAX SLOPE	MAX STEIGFAHIGKEIT	PENTE MAXI	20%
VELOCITA' MAX	MAX SPEED	MAX GESCHWINDIGKEIT	VITESSE MAXI	1,4 KM/H
ROTAZIONE TORRETTA	TURNTABLE SLEWING	DREHTURM ROTATION	ROTATION TOURELLE	360°
NAVICELLA AEREA	AERIAL CAGE	ARBEITSKORB	NACELLE	140 X 70
ROTAZIONE NAVICELLA	CAGE ROTATION	KORB ROTATION	ORIENTATION NACELLE	90°+ 90°
PORTATA UTILE	SAFE WORK. LOAD	ZULADUNG	CHARGE UTILE	120 - 200 KG
PESO	WEIGHT	GEWICHT	POIDS	2.500 KG

## Palazzani Industrie SpA

25050 PADERNO F.C. (BS) - ITALIA

Tel ++ 39 030 6857073 - Fax ++ 39 030 657079

mail: [platforms@palazzani.it](mailto:platforms@palazzani.it)

url: [www.palazzani.it](http://www.palazzani.it)

Caratteristiche e dati tecnici sono puramente informativi e soggetti a variazione senza preavviso.  
Characteristics and technical data are informative only and subjected to change without notice.

C0912B