

Long loads trucks range

electronic stackers

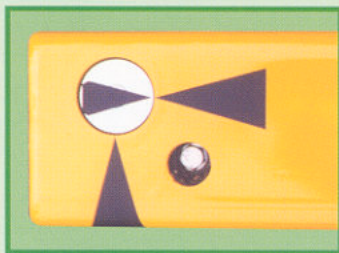
TE 4D Series

4-way electronic walkie stacker



The pallet trucks of the series 4D are very efficient when handling loads that are long up to 7 m: bars, section bars, hood tables, veneer, reels, etc.. In fact, these pallet trucks can move both in the direction of the long axis and in the direction of the short axis, thanks to the 90° hydraulic rotation of one of the bearing wheels positioned under the fixed forks. It is therefore possible to drive through narrow passages, even if a load is present on the forks. The position of the hydraulically adjustable wheel is shown by a luminous indicator.

When loading and unloading a load, the fixed forks are inserted under the shelving, whose first unloading plane must have a minimum height of 260 mm in the standard version or of 100÷120 mm in the version with lowered fixed forks (TE 4D). When the ground distance is not sufficient for inserting the fixed forks, the retractable mast (TE 4D R) solves all space problems, thus allowing the loading and stocking of loads positioned on ground.



- *Easy to use, very compact and sturdy*
- *Powerful and very efficient, designed and realised for heavy duty work*
- *Lifting and lowering speed that can be adjusted according to the work requirements*
- *Structure with three supporting points + side stabiliser wheels for maximum drive and stability*
- *Easy, low-cost and rapid maintenance*

Controls

The ergonomic and comfortable multi-function control head unit is equipped with hand safety guards and with controls that are well positioned and that can be easily reached: without leaving the control head unit, the operator can check the travelling speed by operating the throttles positioned on the side and he/she can sound the horn. The safety level is guaranteed by a device located on the control head unit that reverses the travelling direction in case of contact with the operator and it stops the truck. The tiller is provided with a safety micro switch for emergency stop. Thanks to the standard supplied power-assisted steering,

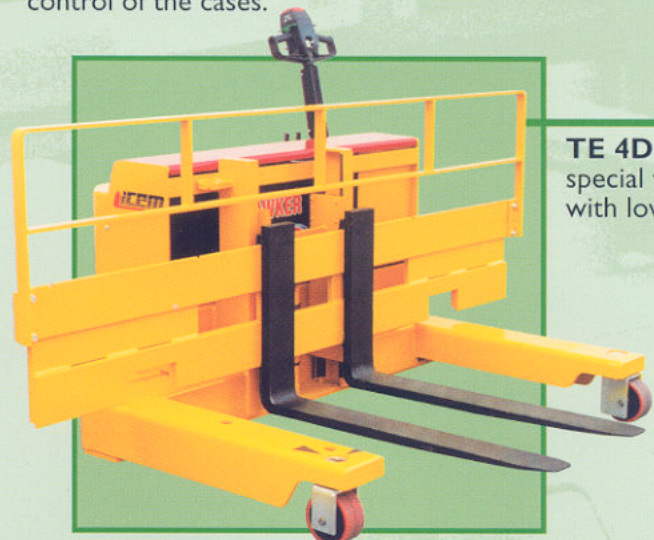


Drive motor and brake

The powerful and reliable drive motor is manufactured and tested to work in extreme environments and to tolerate strong overload. With **2 years warranty**, it is installed on a reduction unit composed of high precision gears treated and lubricated in oil bath, in order to ensure high performance and very reduced wear. The electromagnetic brake is fit directly on the motor shaft and it can be adjusted and adapted to the different operating conditions. Counter-current braking is also possible.

Body

The monocoque chassis is designed to obtain very high stiffness and sturdiness and to reduce the overall dimensions in order to allow work in the most narrow spaces. The inspection of the internal devices is facilitated by a careful control of the cases.



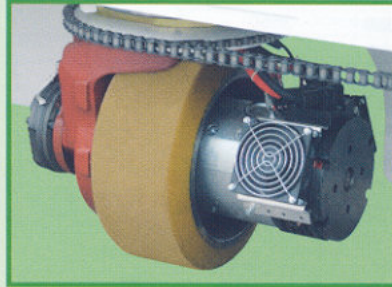
TE 4D
special version
with low mast

TE 4D R Series

4-way electronic walkie stacker with reach mast

Electrical system, battery and battery charger

Thanks to its high efficiency, the chopper guarantees high autonomy and performance, thanks also to the electronic regenerative braking system (TE 4D R). The building technology allows to generate soft and progressive acceleration and, at the same time, rapid and not sharp changes of direction without interruptions. The maximum speed is reduced automatically when the forks are lifted by at least 50 cm in order to increase safety and precision during operation. An irreversible plug protects the battery from connection errors; on request, a gel battery can be supplied. The

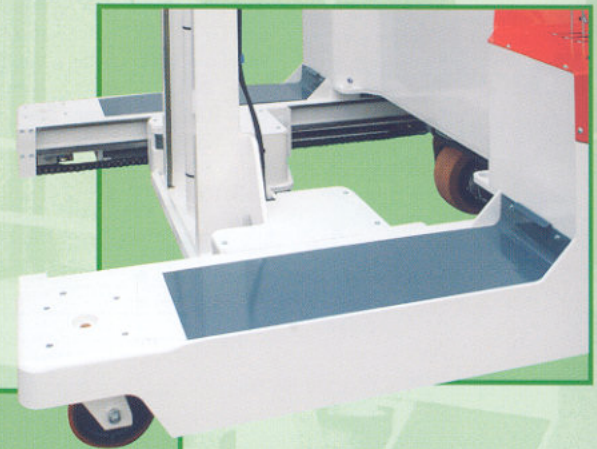


Icecm battery charger is supplied separately in order not to increase the weight and the overall dimensions of the truck and to guarantee rapid and optimum recharging, thus avoiding troubles due to shocks on the truck.



Hydraulic system

The movements of the hydraulic cylinders are carried out thanks to a monobloc control unit with safety valves and a powerful motor. The hydraulic distributor allows the operator to set the operating speed by operating the levers in different positions.



Forks and mast

The lifting devices are designed for heavy duty works and their structure guarantees maximum safety and visibility. The width of the lifting forks can be adjusted within the base forks. On request, lifting forks outside the base forks (recommended for the longest loads), third fork and side shifter can be supplied.



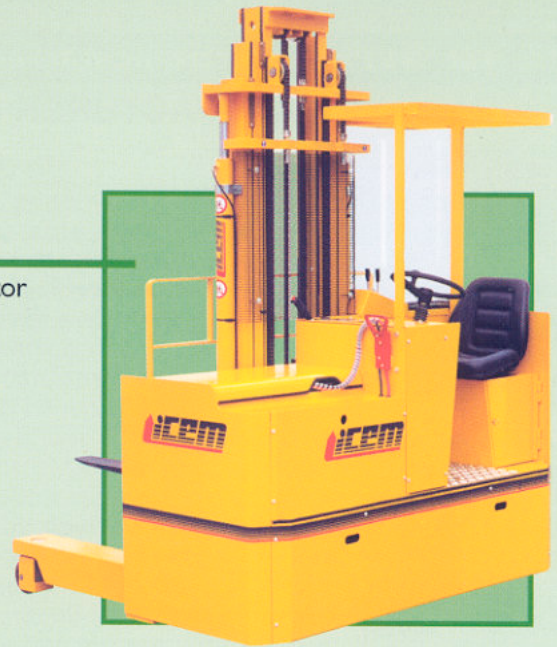
Safety

The truck is provided with all safety devices required by the regulations in force and with CE marking.



GTE 4D

Version with operator on board and steering-wheel



TPE Series

Electronic truck with pantograph platform



- *Easy to use, very compact and sturdy*
- *Powerful and very efficient, designed and realised for heavy duty work*
- *Lifting and lowering commands ergonomically placed*
- *Structure with three supporting points + side stabiliser wheels for maximum drive and stability*
- *Easy, low-cost and rapid maintenance*
- **Wide capacity and dimension range of the lifting platform*
- *Available in the pedestrian version (TPE), with one driver cab (TPE-IP) or with two driver cabs (TPE-2P), one of which is telescopic*
- *Provided with all safety devices required by the regulations in force and with CE-marking*

Model	TPE 20	
Capacity	kg	2000
Load centre	mm	1500
Platform length	mm	3000 *
Platform width	mm	1200 *
Turning radius	mm	2450
Chassis length	mm	610
Overall length	mm	3610
Overall width	mm	1240
Platform height lowered / lifted	mm	450 / 1800
Travel speed with / without load	m/s	4,0 / 5,5
Truck weight with / without load	kg	2100 / 1885
Service brake		Electromagnetic
Battery	V/Ah	24 / 240
Traction motor	kW	1
Lifting motor	kW	2,5

All above performance data refer to a perfectly efficient truck with battery in full working conditions. We reserve the right to make modifications and technical improvements.

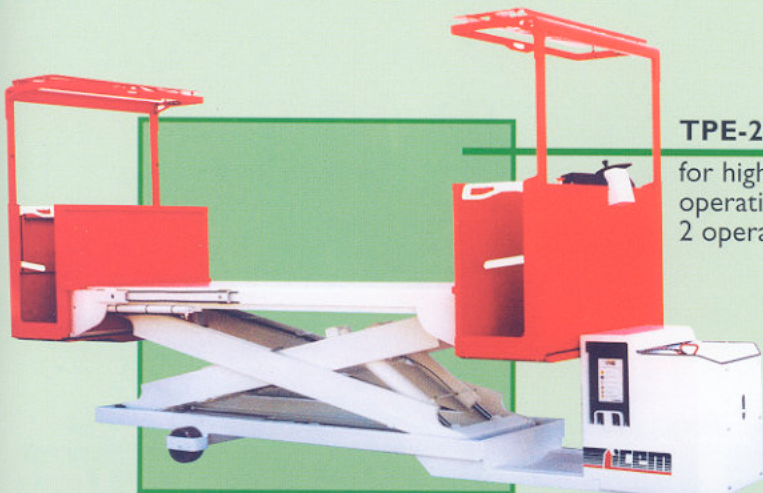
TPE-IP

for high level picking operations with 1 operator



TPE-2P

for high level picking operations with 2 operators



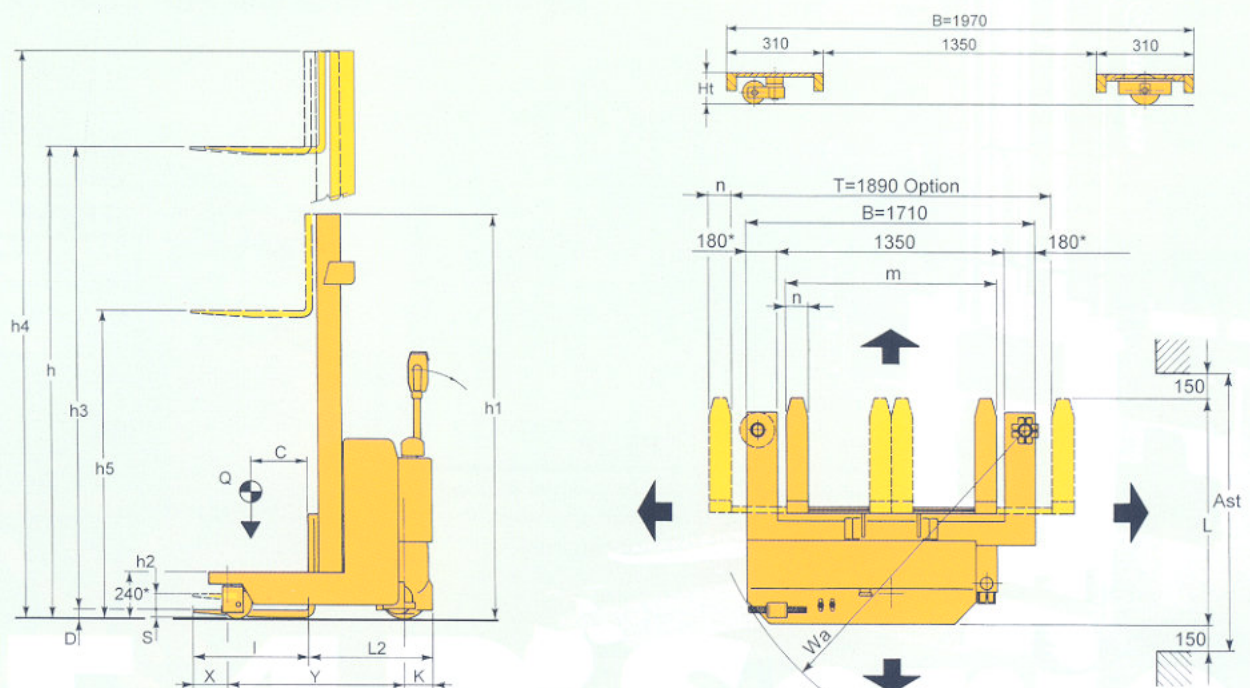
TE 4D Series electronic stackers



1.1 MANUFACTURER		TE 16/316 4D	TE 20/312 4D
1.2	Model		
1.3	Q Load capacity	kg	1600
1.4	C Load centre	mm	300
2.1	h Lift height	mm	3160
2.2	h3 Lifting	mm	3115
2.3	h2 Standard free lift	mm	80
2.4	h5 Full free lift (duplex) on request	mm	1600
2.5	h1 Collapsed mast height	mm	2100
2.6	h4 Extended mast height	mm	3644
2.7	L2 Headlength	mm	700
2.8	B Overall width	mm	1710
2.9	Height (s) x Width (n) x Length (l)	mm	35 x 100 x 600
2.10	m Width across forks	mm	Adjustable up to 1250
2.11	D Lowered forks height	mm	45
2.12	Wa Turning radius	mm	2050
2.13	X Load wheels / forks tip distance	mm	75
2.14	K Rear overhang	mm	180
2.15	y Wheel base	mm	1050
2.16	Track forks / drive	mm	1590 / -
2.17	L Overall length	mm	1300
2.18	Ast Aisle width with pallet 800x1200 (a x b) l = 1150	mm	1600
2.19	Ast Aisle width with pallet 800x1000 (a x b) l = 1000	mm	1800
2.20	90° aisle with pallet 800x1200 (a x b)	mm	2000
2.21	90° aisle with pallet 1000x1200 (a x b)	mm	2200
2.22	Body clearance	mm	70
2.23	Legs clearance	mm	80
3.1	Travel speed with / without load	km/h	4,5 / 5,5
3.2	Lift speed with / without load	m/s	0,11 / 0,16
3.3	Lowering speed with / without load	m/s	0,20 / 0,14
3.4	Max. gradeability with / without load	%	2 / 4
4.1	Truck weight with / without battery	kg	1290 / 1090
4.2	Axle load with load forks / drive	kg	1760 / 1130
5.1	Wheels quantity forks / drive		4 / 1
5.2	Forks wheels size (polyurethane) ø	mm	150
5.3	Rear wheels size (polyurethane) ø	mm	250
5.4	Service brake / Parking brake		Electromagnetic
6.1	Battery (5 hours rating)	V/Ah	24 / 240 - 320
6.2	Battery weight	kg	210 - 280
6.3	Traction motor	kW	1
6.4	Lift motor	kW	3

Exemples of forks lifting height on request:
 2360 mm with h1 = 1700 (duplex)
 2760 mm with h1 = 1900 (duplex)
 4160 mm with h1 = 2600 (duplex)
 4060 mm with h1 = 1900 (triplex)

* LOW-VERSION: legs height = 100 mm or height = 85 mm
 In these versions dimension T = 2070 mm



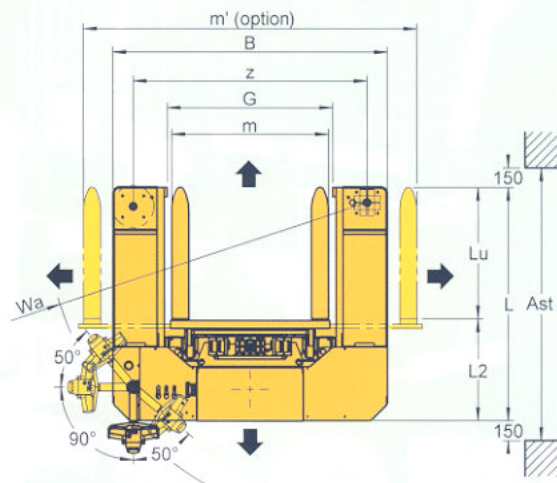
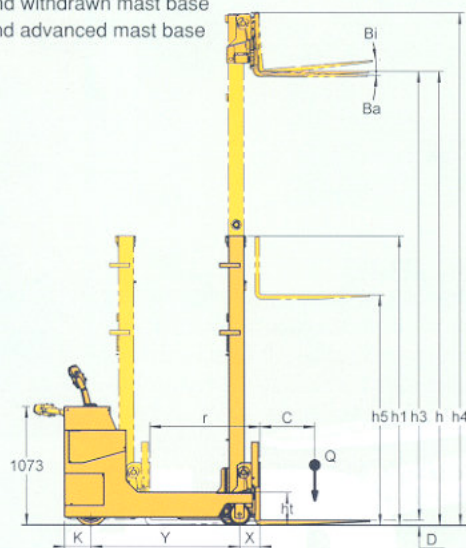
All above performance data refer to a perfectly efficient truck with battery in full working conditions. We reserve the right to make modifications and technical improvements.

TE 4D R Series electronic stackers



1.1 MANUFACTURER		icem			
1.2 Model		TE 16/312 4D R	TE 16/466 4D R	TE 20/312 4D R	TE 20/466 4D R
1.3	Q Load capacity	1600		2000	
1.4	C Load centre	1/2 Lu		1/2 Lu	
2.1	h Lift height	3120	4660	3120	4660
2.2	h3 Lifting	3075	4615	3075	4615
2.3	h2 Standard free lift	70	-	70	-
2.4	h5 Full free lift on request	1590	1580	1590	1580
2.5	h1 Collapsed mast height	2115		2115	
2.6	h4 Extended mast height	3650	5210	3650	5210
2.7	L2 Headlength	780		780	
2.8	B Overall width	2100		2100	
2.9	Height (s) x Width (n) x Length (l)	35 x 130 x Lu		40 x 130 x Lu	
2.10	m Width across forks (standard / optional)	Adj. 280 - 1200 / 2550		Adj. 280 - 1200 / 2550	
	Lu Forks length	800 - 1000 - 1200		800 - 1000 - 1200	
2.11	D Lowered forks height	45		45	
	ht Legs height	300		300	
	Forks tilting forward (Ba) / backward (Bi)	1,5 / 4,5		1,5 / 4,5	
	r Mast reach stroke = Lu + 70	870 - 1070 - 1270		870 - 1070 - 1270	
2.12	Wa Turning radius (with Lu = 800 - 1000 - 1200)	2400 - 2510 - 2640		2400 - 2510 - 2640	
2.13	X Load wheels / forks tip distance	205		205	
2.14	K Rear overhang	240		240	
2.15	y Wheel base (with Lu = 800 - 1000 - 1200)	1205 - 1405 - 1605		1205 - 1405 - 1605	
2.16	Track forks / drive	1790 / -		1790 / -	
	G Legs internal width	1266		1266	
2.17	L Overall length (L2 + Lu with Lu = 800 - 1000 - 1200)	1580 - 1780 - 1980		1580 - 1780 - 1980	
2.18	Ast Aisle width - lateral travel (with Lu = 800 - 1000 - 1200)	1880 - 2080 - 2280		1880 - 2080 - 2280	
2.22	Body clearance	70		70	
	Legs clearance	70		70	
2.23	Mast base clearance	50		50	
3.1	Travel speed with / without load	5,0 / 5,5		5,0 / 5,5	
3.2	Lift speed with / without load	0,13 / 0,20	0,13 / 0,22	0,10 / 0,15	0,10 / 0,16
3.3	Lowering speed with / without load	0,25 / 0,18	0,30 / 0,20	0,35 / 0,13	0,32 / 0,15
3.4	Max. gradeability with / without load	4,5 / 7,5		4,0 / 7,5	
4.1	Truck weight with Lu = 800 with / without battery	2770 / 2400	2970 / 2600	3070 / 2700	3270 / 2900
	Truck weight with Lu = 1000 with / without battery	2970 / 2600	3070 / 2700	3070 / 2700	3270 / 2900
	Truck weight with Lu = 1200 with / without battery	2970 / 2600	3170 / 2800	3070 / 2700	3270 / 2900
4.2	Axle load - ① Lu = 800 forks / drive	1870 / 2500	2000 / 2570	2170 / 2900	2300 / 2970
	Axle load - ① Lu = 1000 forks / drive	1850 / 2620	1950 / 2720	2150 / 2920	2250 / 3020
	Axle load - ① Lu = 1200 forks / drive	1830 / 2740	1900 / 2870	2130 / 2940	2200 / 3070
	Axle load - ② Lu = 800 forks / drive	3700 / 670	3900 / 670	4300 / 770	4500 / 770
	Axle load - ② Lu = 1000 forks / drive	3800 / 670	4000 / 670	4400 / 670	4600 / 670
	Axle load - ② Lu = 1200 forks / drive	3900 / 670	4100 / 670	4500 / 570	4700 / 570
5.1	Wheels quantity forks / drive	2 / 1		2 / 1	
5.2	Forks wheels size (polyurethane) ø	200		200	
5.3	Drive wheels size (polyurethane) ø	300		300	
5.4	Service brake	Electronic		Electronic	
5.5	Parking brake	Electromagnetic		Electromagnetic	
6.1	Battery (5 hours rating)	24 / 420 - 500		24 / 420 - 500	
6.2	Battery weight	370 - 420		370 - 420	
6.3	Traction motor	2		2	
6.4	Lift motor	4		4	

- ① with load and withdrawn mast base
- ② with load and advanced mast base



All above performance data refer to a perfectly efficient truck with battery in full working conditions. We reserve the right to make modifications and technical improvements.

