

# H.A.B Model S 175 – 12 E2WD

## Features:

- Driveable in full height
- CE – certified components
- Fold – Down Guard Rails
- User-friendly control system
- Max. stability due to three – scissors mechanism
- Unlimited platform capacity on platform and extension
- Narrow design
- All proportional drive, lift and lowering functions

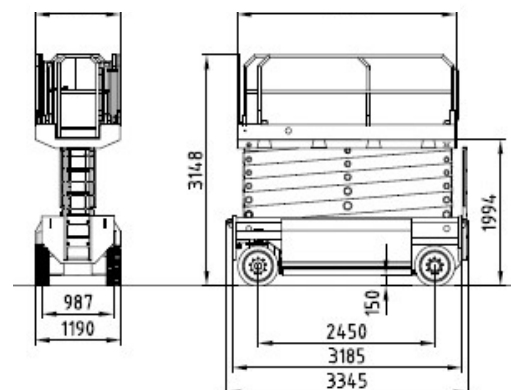
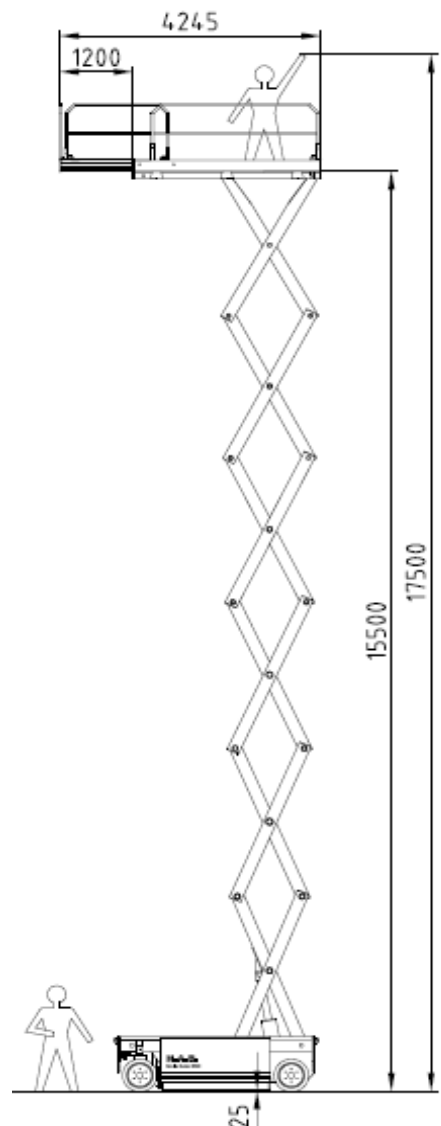
## Technical Features

Working height	17.50 m
Platform height	15.50 m
Platform size	3.04 m x 1.18 m
Lateral platform extension	1.20 m
Clearance height	2.38 – 3.14 m
Platform capacity	500 kg
Outer turning radius	3.04 m
Inner turning radius	0.60 m
Engine	48 V / 360 Ah
Drive speed in km/h (l/e) *	4.0      0.7
Diesel	-
Lifting time	ca. 79 Sec
Lowering time	ca. 79 Sec
Ground clearance	150 mm
Wheelbase	2.45 m
Max. inclination	3°
Control	Proportional
Greadability	ca. 25%
Weight	5350 kg
Max. ground bearing pressure	71 N/cm <sup>2</sup>
Driveable in full height	Yes
External using	Option
4 WD	No
4 WS	No
Self-levelling Jacks	Option

## Transport Features

Stowed height	2.38 m
Length	3.34 m
Width	1.19 m

\*e=elevated; l=lowered



# H.A.B.

H.A.B. Service Center GmbH  
Heidigstrasse 17  
76709 Kronau

Telefon: +49 (0) 7253 / 94 01 – 0  
Telefax: +49 (0) 7253 / 94 01 – 26  
service@hab-hubarbeitsbuehnen.de