

SOLAR 300 LCV DEMOLITION

Operating Weight: 36.700 kg

Engine Power: 147 kW (197 Hp) / 1.900 rpm

Attachment Weight (max.): 2.600 kg



www.eurodaewoo.com

DAEWOO

Technical Data



ENGINE



HYDRAULIC SYSTEM



OPERATOR'S CAB

MODEL

DAEWOO DE08TIS

TYPE

Water-cooled, 4-cycle, direct injection

ASPIRATION

Turbocharged – Air-to-Air intercooler

NUMBER OF CYLINDERS

6

RATED FLYWHEEL HORSE POWER

DIN 6271, net 147 kW (200 Ps)
at 1.900 rpm
SAE J1349, net 147 kW (197 Hp)
at 1.900 rpm

PISTON DISPLACEMENT

8.071 cc

MAXIMUM TORQUE

86 kgf.m (843 Nm) at 1.300 rpm

BORE AND STROKE

111 x 139 mm

STARTING SYSTEM

24 V electric motor

BATTERIES

2 x 12 V x 150 Ah

e-EPOS (Electronic Power Optimizing System) allows the operator to maximize work efficiency over a full range of operating conditions and to minimize fuel consumption.

- Hydraulic system assures fully independent and combined operations.
- Automatic 2 speed travel system for high traction force and travel speed.
- Cross-sensing and fuel saving pump system.
- Auto idle system.
- 2-Working /2-power mode selection system.
- Computer aided engine-pump control.

MAIN PUMPS

2 variable displacement axial piston pumps.

Max. oil flow 2 x 246 l/min

PILOT PUMP

Max. oil flow 28,5 l/min

SWING MOTOR

Relief valve 279 bar

MAIN RELIEF VALVES

Boom/Arm/Bucket
– Normal 324 bar
– Power Boost 343 bar
Travel circuit 324 bar

A roomy, independent, shock and noise-free operator's cab, 4 side safety glass windows give all-round visibility. Front win-dow slides up and stores in the roof and side window can be opened for ventilation. Fully adjustable suspension seat. Air conditioner. ISO standard cab.

NOISE LEVELS (DYNAMIC VALUE)

LwA external noise:

- Guaranteed Sound Power Level 105 dB (A) (2000/14/EC)
- Measured Sound Power Level 104 dB (A) (2000/14/EC)

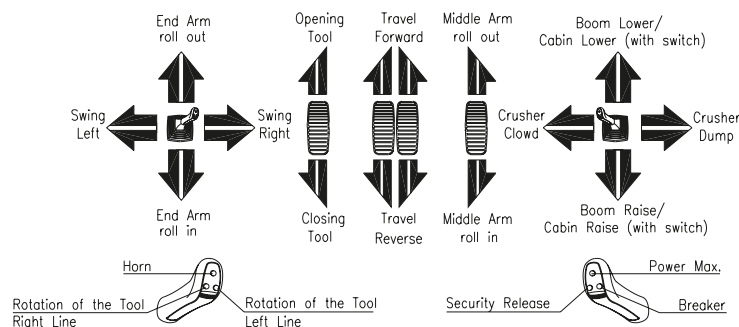
LpA operator noise:

74 dB (A) (ISO6396)



CONTROLS

When lower boom to park or transport, you must use security release switch because the system can not allow to lower boom for safety.



Standard Equipment

STANDARD EQUIPMENT

HYDRAULIC SYSTEM

- Boom and arm flow regeneration
- Boom and arm holding valves
- Swing anti-rebound valves
- Spare ports (valve)
- One-touch power boost
- Piping for hammer (one way)
- Piping for crusher
- Piping for rotating

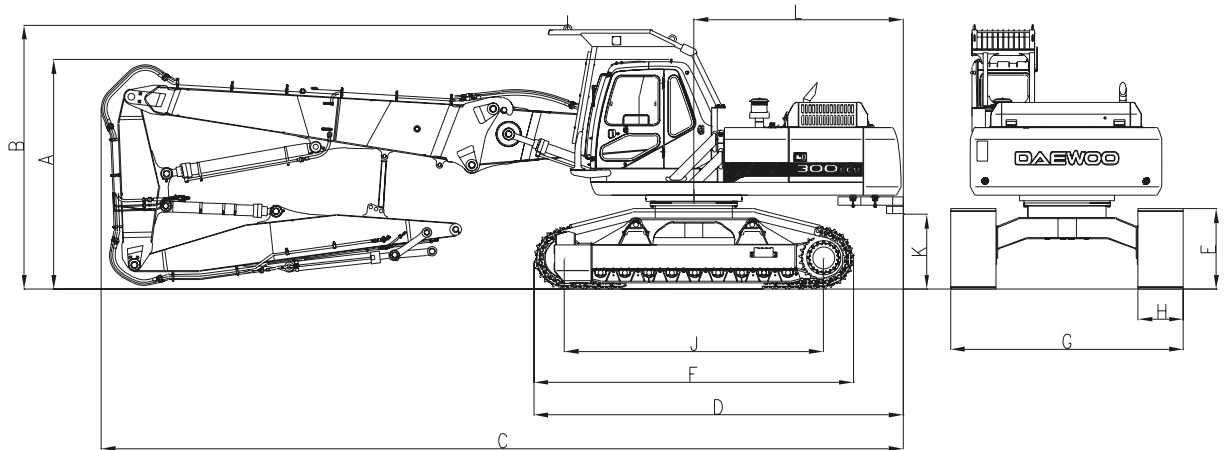
CABIN & INTERIOR

- Viscous cab mounts
- All weather sound suppressed type cab
- Air conditioner
- Adjustable suspension seat with head rest and adjustable arm rest
- Pull-up type front window and removable lower front window
- Room light
- Intermittent windshield wiper
- Cigarette lighter and ashtray
- Cup holder
- Hot & cool box
- Graphic display monitor
- Fuel control dial
- AM/FM Radio and cassette player
- Remote radio ON/OFF switch
- 12 V spare power socket
- Serial communication port for laptop PC interface
- Joystick lever with 3 switches

Operational data

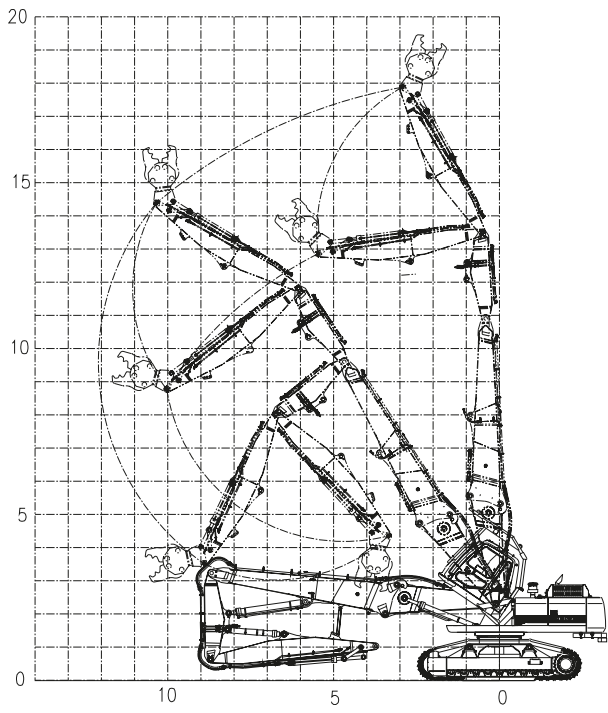
STANDARD CONFIGURATION 3 PIECES: BOOM 5,58M

DIMENSIONS & SPECIFICATIONS

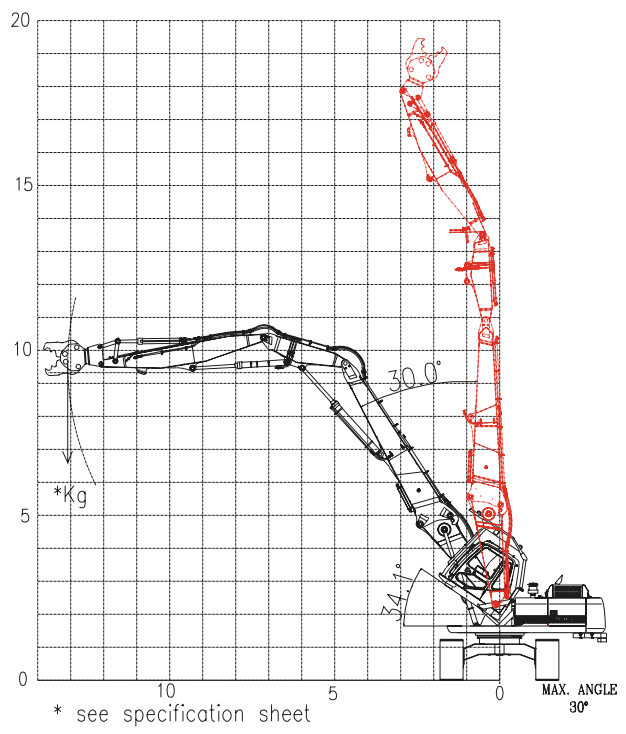


Dimensions			Track Type		
			Log Loader	Standard LC	Narrow LC
Overall Transport Height (without Canopy)	A	mm	3.553	3.276	3.276
Overall Transport Height (with Canopy)	B	mm	4.086	3.809	3.809
Overall Length	C	mm	12.402	12.402	12.402
Overall Length (without Front)	D	mm	5.712	5.712	5.712
Track Height	E	mm	1.244	1.044	1.044
Track overall Length	F	mm	4.950	4.950	4.950
Track overall Width	G	mm	3.600	3.200	3.000
Track Shoe Width	H	mm	700	600	600
Tumbler Distance	J	mm	4.010	4.010	4.010
Upper Structure Ground Clearance	K	mm	1.170	893	893
Tail Swing Radius	L	mm	3.240	3.240	3.240
Specifications					
Operating Weight (without Tool)		kg	36.650	34.650	34.530
Max. Reach at Ground Level (Pin Arm)		mm	12.085	12.085	12.085
Max. Height (Pin Arm)		mm	17.877	17.600	17.600
Working Capacity		kg	2.600	2.200	2.000
Safety Working Angle		°	30	30	30

**FRONT 3 PIECES
WORKING RANGES**



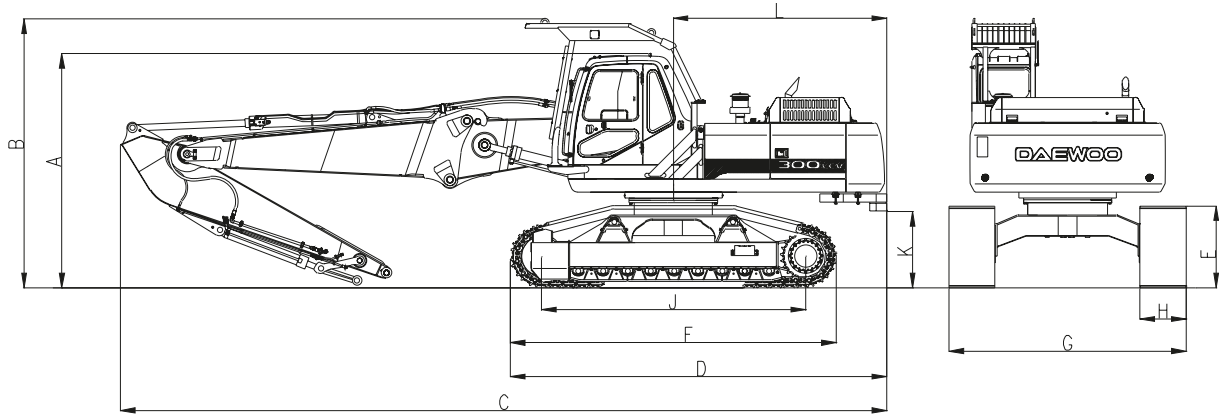
**FRONT 3 PIECES
WORKING CAPACITY**



Operational data

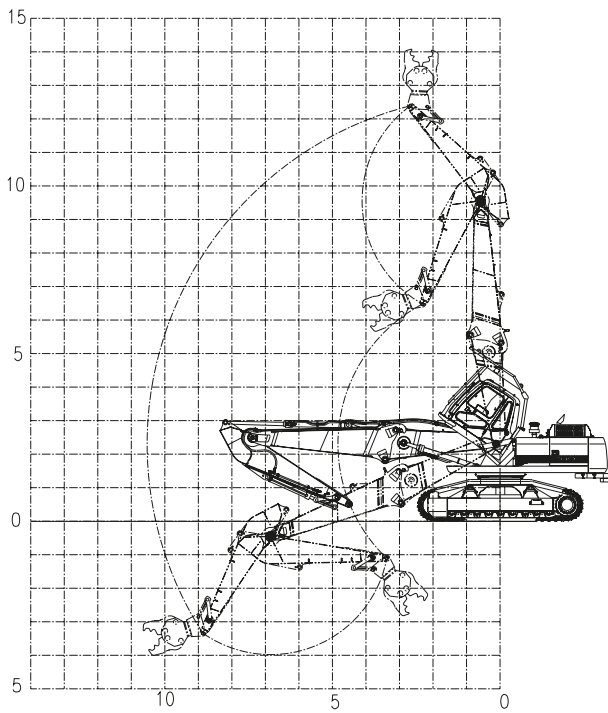
OPTIONAL CONFIGURATION 2 PIECES: BOOM 4,25M

DIMENSIONS & SPECIFICATIONS

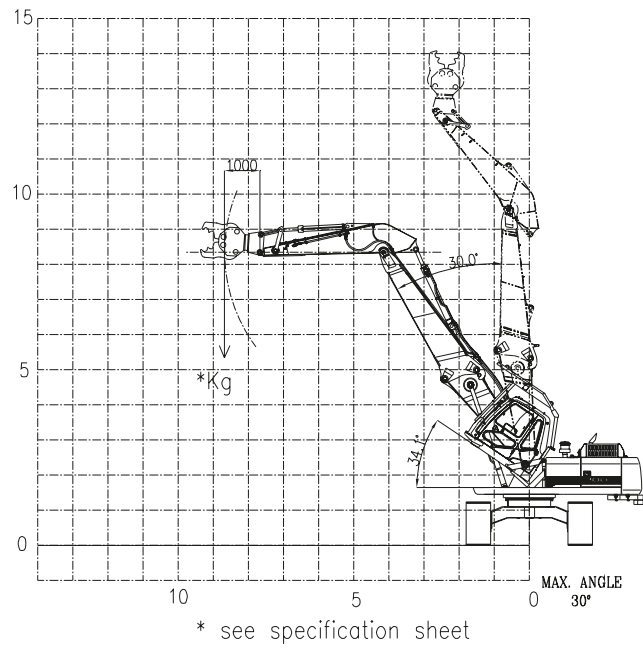


Dimensions			Track Type		
			Log Loader	Standard LC	Narrow LC
Overall Transport Height (without Canopy)	A	mm	3.553	3.276	3.276
Overall Transport Height (with Canopy)	B	mm	4.086	3.809	3.809
Overall Length	C	mm	11.625	11.625	11.625
Overall Length (without Front)	D	mm	5.712	5.712	5.712
Track Height	E	mm	1.244	1.044	1.044
Track overall Length	F	mm	4.950	4.950	4.950
Track overall Width	G	mm	3.600	3.200	3.000
Track Shoe Width	H	mm	700	600	600
Tumbler Distance	J	mm	4.010	4.010	4.010
Upper Structure Ground Clearance	K	mm	1.170	893	893
Tail Swing Radius	L	mm	3.240	3.240	3.240
Specifications					
Operating Weight (without Tool)		kg	35.400	33.400	33.280
Max. Reach at Ground Level (Pin Arm)		mm	10.526	10.526	10.526
Max. Height (Pin Arm)		mm	12.390	12.113	12.113
Working Capacity		kg	4.000	4.000	3.500
Safety Working Angle		°	30	30	30

**FRONT 2 PIECES
WORKING RANGES**



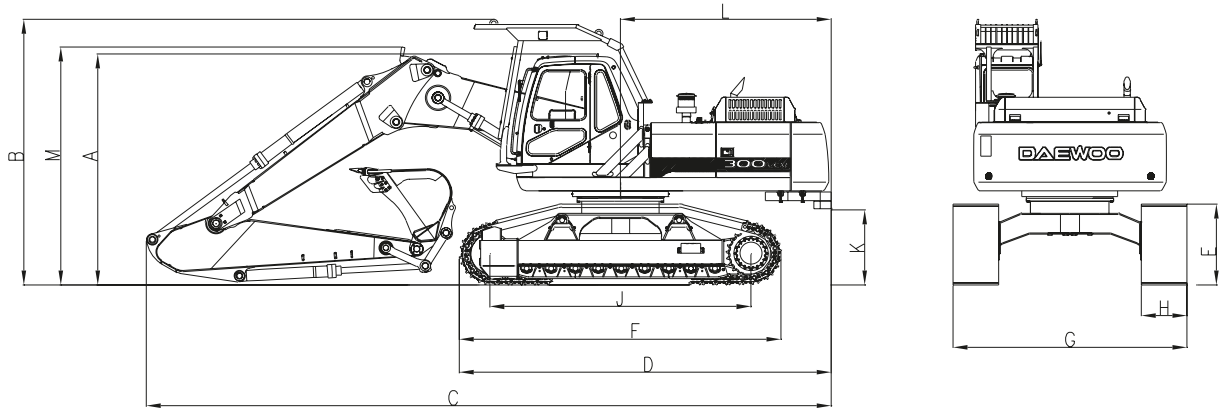
**FRONT 2 PIECES
WORKING CAPACITY**



Operational data

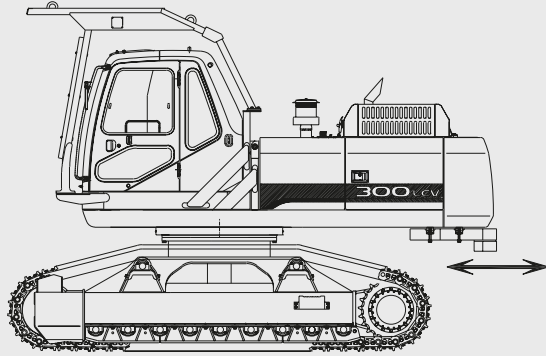
OPTIONAL CONFIGURATION DIGGING BOOM

DIMENSIONS & SPECIFICATIONS

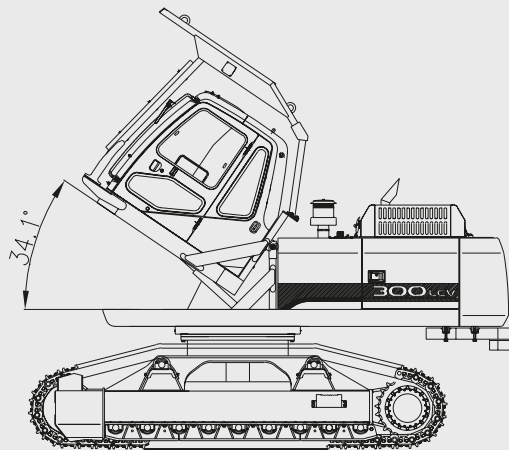


Dimensions			Track Type		
			Log Loader	Standard LC	Narrow LC
Overall Transport Height (without Canopy)	A	mm	3.553	3.276	3.276
Overall Transport Height (with Canopy)	B	mm	4.086	3.809	3.809
Overall Length	C	mm	10.530	10.530	10.530
Overall Length (without Front)	D	mm	5.712	5.712	5.712
Track Height	E	mm	1.244	1.044	1.044
Track overall Length	F	mm	4.950	4.950	4.950
Track overall Width	G	mm	3.600	3.200	3.000
Track Shoe Width	H	mm	700	600	600
Tumbler Distance	J	mm	4.010	4.010	4.010
Upper Structure Ground Clearance	K	mm	1.170	893	893
Tail Swing Radius	L	mm	3.890	3.613	3.613
Front Height	M	mm			
Specifications					
Operating Weight (without Tool)		kg	35.100	33.100	32.980
Max. Reach at Ground Level (Pin Arm)		mm	10.654	10.654	10.654
Max. Height (Pin Arm)		mm	10.415	10.138	10.138
Working Capacity		kg	7.037	7.314	7.314
Safety Working Angle		°	30	30	30
Arm Type		mm	3.100	3.100	3.100

Special Features

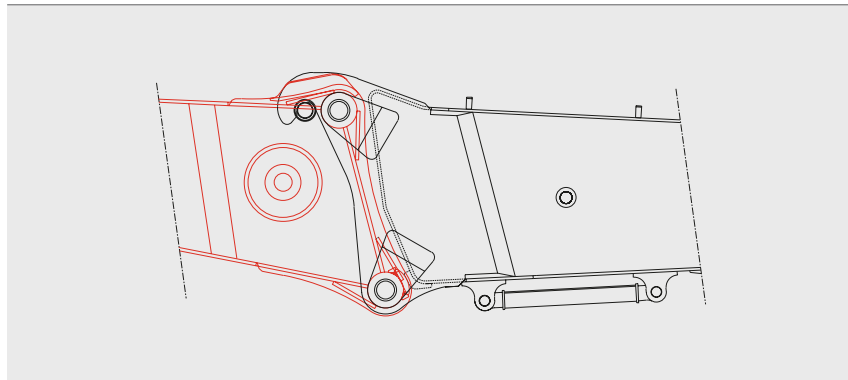


Additional counter weight activated by 1 cylinder fully adjustable following to the front attachment used.

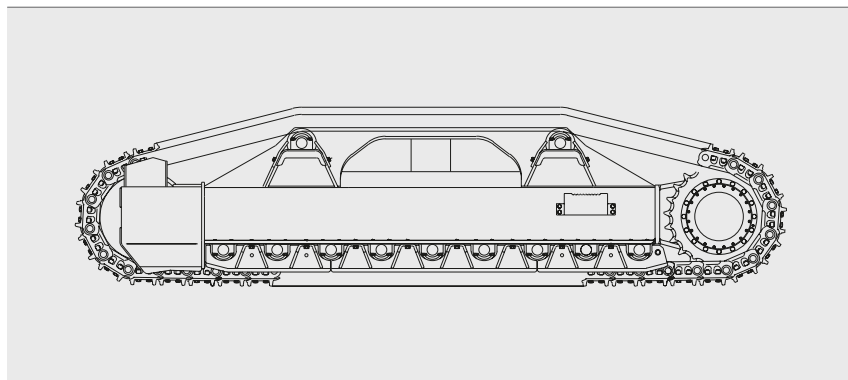


Tilting cabin activated by 2 cylinders for better stability of Cabin and easier visibility of tools.

Coupling easy and fast between Boom and Extension Boom by a system “Pins and Hooks”. This system guides the two parts at the time of coupling.

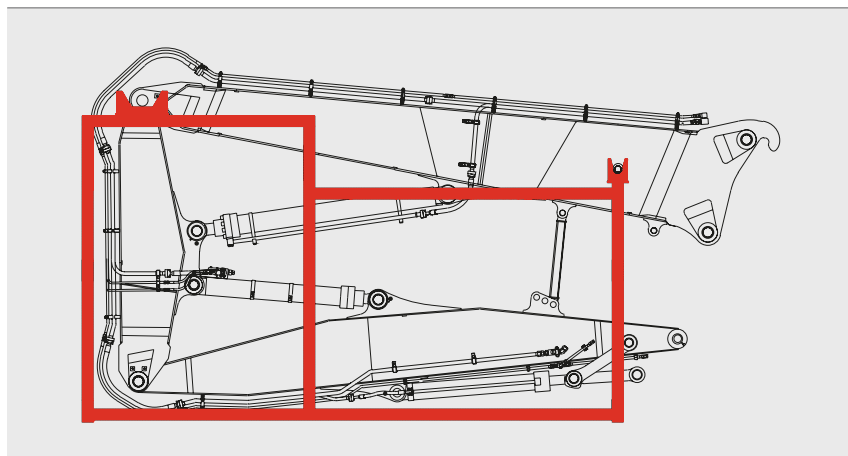


Shoe Guard: Link Protection and Prevention of Derailment.



Supports for the three front configurations:

- Front 2 pieces
- Front 3 pieces
- Digging Front



Seoul Office

9th Floor, Daewoo Heavy Industries & Machinery Ltd. Bldg.
14-34, Youido-dong, Youngdungpo-gu
150-010, Seoul Korea
Mail: C. P. O Box 7955 Seoul, Korea
Tel. +82 2 2167-3114 Fax +82 2 785-2677
Website: www.dhiltltd.co.kr

Euro Daewoo S. A.

1A Rue Achille Degrâce,
7080 Frameries, Belgium
Tel. +32 65 61 32 30 Fax +32 65 67 73 38

Euro Daewoo France

2/4, Rue Pavlov, Z.I. des Bruyères
78190 Trappes, France
Tel. +33 1 30 16 21 41 Fax +33 1 30 16 21 44

Euro Daewoo UK

Daewoo House Unit 6.3 Nantgarw Park Cardiff
CF4 7QU, U.K.
Tel. +44 1443 842273 Fax +44 1443 841933

Daewoo Maschinen Vertriebs GmbH

Hans-Böckler-Str. 27-29
40764 Langenfeld, Germany
Tel. +49 2173 8509 18 Fax +49 2173 8509 45
Website: www.daewoobaumaschinen.de



The illustrations do not necessarily show the product in standard version. All products and equipments are not available in all markets.
Materials and specifications are subjects to change without prior notice.