

SOLAR 015 *Plus*



- Operating Weight (With Cabin)
1,580 kg (3,483 lb)
- STD Bucket Capacity
PCSA 0.042m³ (0.055 cu -yd)
- Rated Engine Power
DIN 6271, net 12.7kW(17.2 ps)/2,300rpm
SAE J 1349, net 12.7kW(17.0hp)/2,300rpm



1 Boom Swing

The boom swing mechanism is especially useful for digging jobs at small sites.

2 Comfortable Operation

The operator seat is designed to firmly and comfortably support the operator.

3 Control Stand

The safety monitor is mounted on the right console box to provide maximum ease in reading of oil pressure, temperature and fuel measure, so the operator can easily monitor all mechanical operation.

4 Engine Room

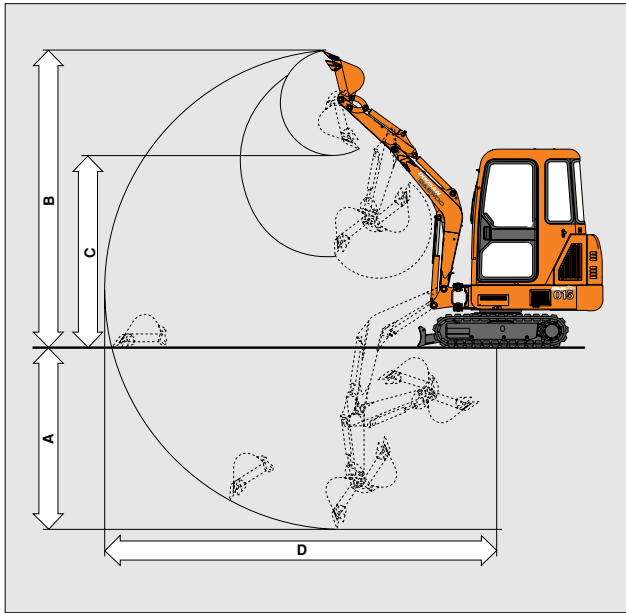
Engine Layout is designed for the easy repair, and the bonnet open type cover and complete sealed engine room is designed for class leading silent operation in urban areas.



SOLAR 015 Plus

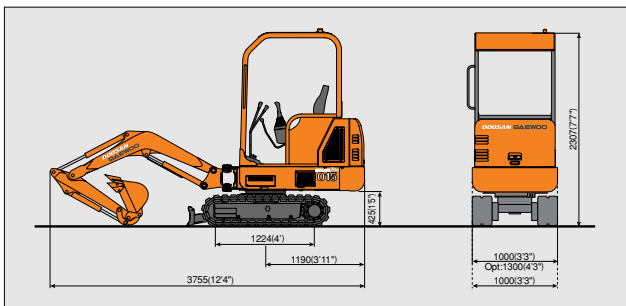
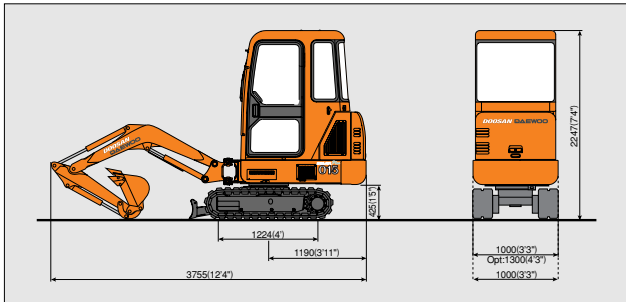
Working Ranges

mm (ft.in)



Dimension

mm (ft.in)



General Specification

MODEL	UNIT	SOLAR 015 Plus	
		CANOPY	CABIN
Operating weight (Rubber shoe model)	kg (lb)	1,490 (3,285)	1,580 (3,483)

Bucket

Capacity	PCSA	m ³ (cu.yd)	0.042 (0.055)
Width (with cutter/without cutter)		mm (ft.in)	452 (1'6") / 426 (1'5")

Dimension

Length x Width x Height	mm (ft.in)	3,755x1,000(1,300)x2,307 (12'4"x3'3"(4'3")x7'7")	3,755x1,000(1,300)x2,247 (12'4"x3'3"(4'3")x7'4")
-------------------------	------------	---	---

Engine

Model		L3E
Displacement (Total dis. volume)	cc (gal)	952 (0.252)
Rated power / R. P. M.	ps / rpm (kW / rpm)	17.2 / 2,300 (12.5 / 2,300)
Combustion chamber type		Swirl Type

Working Range

(A) Max. digging depth	mm (ft.in)	2,140 (7')
(B) Max. cutting height	mm (ft.in)	3,400 (11'2")
(C) Max. dumping height	mm (ft.in)	2,245 (7'4")
(D) Max. digging radius	mm (ft.in)	3,700 (12'2")
Rear and swing radius	mm (ft.in)	1,190 (3'11")
Boom swing angle (L/R)	degree	75 / 50

Performance

Max. digging force (SAE)	Bucket	kgf (lb)	1,270 (2,800)
	Arm	kgf (lb)	850 (1,874)
Traveling speed		km/h (m/h)	2.0 / 3.8 (1.2 / 2.4)
Traction force		ton	1.5 / 0.75
Swing speed		rpm	11
Max. swing torque		kgf.m	238

Hydraulics

Pump	Type		Axial piston
Max. flow rate		l/min (g/min)	2 × 16 × 10.5 (2 × 4.2 × 2.8)
Main relief set pressure		kg/cm ² (psi)	210 / 165 (3,320 / 2,608)

Track

Dozer blade (Length × Height)	mm (ft.in)	235 × 1,000 (1,300) (9' × 3'3" (4'3"))
Shoe width	mm (ft.in)	230 (9")
Tumbler distance	mm (ft.in)	1,224 (4')

Control

Lever control type		Pilot & manual control
Lever pattern		ISO

Tank

Fuel tank	l (gal)	19 (4.94)
Hydraulic tank	l (gal)	26 (6.76)

* Specifications are subject to change without prior notice for the improvement.



Infracore

* Specifications are subject to change without prior notice.

EL 0020 (2005.7)

Seoul Office
Doosan Tower 26TH FL. 18-12, Euljiro-6Ga,
Jung-Gu, Seoul, Korea 100-730
Tel : +82-2-3398-8114 Fax : +82-2-3398-8117
Website : www.doosaninfracore.com

Doosan Infracore Europe S.A.
1A, Rue Achille Degrace, 7080 Frameries, Belgium
Tel : +32-65-61-3231 Fax : +32-65-61-3238

Doosan Infracore U.K., Ltd.
Doosan House, Unit 6.3, Nantgarw Park,
Cardiff CF47QU, U.K.
Tel : +44-1443-84-2273 Fax : +44-1443-84-1933

Doosan Infracore Germany GmbH.
Hans-Böckler strasse 29, D-40764, Langenfeld-Fuhrkamp,
Germany
Tel : +49-2173-8509-20 Fax : +49-2173-8509-60

Doosan Infracore France
(Doosan Infracore Europe S.A. France Office)
2Eme Etage, 1/3 Avenue Pavlov, Z.A.I. Des Bruyeres,
78190 Trappes France
Tel : +33-1-3016-2140 Fax : +33-1-3016-2144

Doosan Infracore America Corporation
2905 Shawnee Industrial Way, Suwanee, Georgia 30024, U. S. A.
Tel : +1-770-831-2200 Fax : +1-770-831-0480

Doosan Infracore (China) Co., Ltd.
#28, Wuzhishan Road, Eco & Tech, Development Zone, Yantai, Shandong, China
Tel : +86-535-638-2000 Fax : +86-535-638-2004

Doosan Infracore Xinjiang Machinery Co., Ltd.
No. 178, Hetanbei Road, Wulumuqi, Xinjiang, China
Tel : +86-991-469-7177 Fax : +86-991-469-8641

Doosan Infracore Liaoning Machinery Co., Ltd.
No.32 DongLing Road, DongLing District, ShenYang, Liaoning, China
Tel : +86-24-8841-1407 Fax : +86-24-8841-1404

Doosan Infracore South Africa Pty Ltd.
60C Electron Road, Isando 1600, Johannesburg, South Africa
Tel : +27-11-974-2095 Fax : +27-11-974-2778