



## Rammax 1515 and 1510

Powerful design – Solar powered infrared remote control





## Rammax – The brand for trench rollers

Rammax is the inventor of the trench roller product and is able to look back on more than 40 years of experience in the construction of that type of equipment. During the time always new benchmarks were set to improve working with these machines in an economical and ecological way. Today Rammax is the first producer to offer articulated as well as "skid steered" machines.

Trench rollers, so called "multi purpose compactors", are standing out for enormous compaction output on cohesive soil such as clay. These soil types that are very difficult to compact, showing a high moisture content can only be compacted by using extreme compaction energy and the additional kneading effect of the padfoot drums.

### Advantages

- Soil replacement can be avoided and results in high cost reduction
- Highest reliability and operational safety
- Versatile fields of application
- Excellent compaction parameters
- High compaction output
- Maximum operating comfort, respecting the highest safety regulations
- Low operating costs
- Easy and quick servicing
- Compact and robust design
- Maintenance free (except diesel engine)



### Model overview

#### Rammax 1515

„Skid steered“ with powerful central vibration system

#### Rammax 1510

Articulation- / oscillation joint with SCT (Straight Compaction Technology)

### Typical fields of application

- Pipeline construction
- Structure backfill work
- Social and industrial development areas
- Dumpsite and embankment construction
- Subbase of roads and rail tracks
- Narrow work spaces



## Rammax 1515 - compact and powerful

The Rammax 1515 is the strongest walk behind trench roller in the world and stands for perfect compaction results on different types of soil. All Rammax quality - 5 years warranty on the hydraulic drum drives and vibratory bearings of the Rammax 1515 are self speaking.

### Rammax trench roller 1515

The Rammax 1515 is succeeding the worldwide successful RW 1504. Regarding the noise emissions a big step of improvement was realized by redesigning the exhaust system. The noise level was reduced by 4 dB(A). For the human ear a reduction of 3 dB(A) is recognized as a reduction of 50% of the noise level.

### The „measuring trench roller“

Using the optional ACE- (Ammann Compaction Expert) system new standards of raising efficiency in compaction work can be achieved. An optical indicator is always showing the user the currently reached degree of compaction.



### High performance

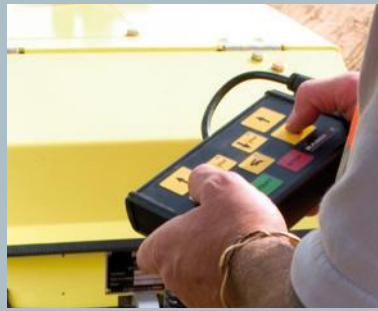
- Powerful Hatz-Diesel engine for highest output on any kind of terrain
- 86 kN compaction force by central vibration system
- Planetary gearbox in each drum for maximum power transmission and a long lifetime

### Details

- The skid steering offers turning on the spot
- Completely hydrostatic driven
- Cockpit with electric hour meter, function control and failure diagnostic system for quick servicing
- Automatic ignition shut off for protection of the battery
- Serially equipped with electric starter
- Drum width 63 or 85 cm, convertible
- Two hydro-mechanical brakes
- Multiple steering systems
- With the remote controlled versions, two completely independent steering systems. Even if the transmitter is lost or damaged, the machine can be operated with the manual levers
- Central lifting hook attached to the main frame helps to reduce stress on the rubber-mounts during loading
- Changing direction of the rotation vibration shaft for better gradeability and perfect compaction results on slopes
- Optional with variable Vibration - 2 frequencies and amplitudes (V-Version)



IR transmitter with solar panels



Cable remote control with flexible spiral cable



Modern and clearly arranged cockpit with failure diagnostic system and function control

## Safety - our first priority

### Safety

- Safe operation from distance - in the remote controlled versions (-MI/-MC/-MCI), even without trench boxes
- The visual contact to the operating machine is ensured at any time
- Short- and far distance shut off at 1.5 and 24 m respectively
- No blind spots - the receiver eye for the infrared remote control is placed on the top of the machine
- All machine functions are controllable from the remote control transmitter
- No hand-arm vibrations during operation of the machine due to remote controls

### Versions

Rammax 1515 M	Manual control
Rammax 1515-MC	Manual and cable remote control
Rammax 1515-MI	Manual and infrared remote control
Rammax 1515-MCI	Manual, cable- and infrared remote control

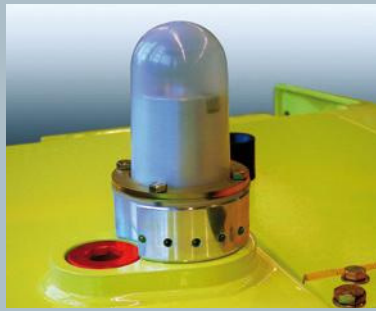
### Operational safety

- A high level of safety on the jobsite for man and machine is ensured by the established infrared remote control. In comparison to the radio control system the visual contact to the machine is required. A considerable risk of injury or accidental damage can be completely avoided.
- Solar panels in the infrared remote control are ensuring a permanent readiness for operation. Only day light is required for the automatic charging. Even work in complete darkness is possible due to the serially integrated battery, which is also charged by the solar panels. Downtimes due to searching and charging of the batteries can be completely avoided.
- Without interfering with each other, up to 10 machines can be operated at the same time on one jobsite thanks to 10 infrared frequencies on the receiver and the remote control.
- One infrared transmitter cable can be used for several rollers





2 drum widths



Receiver eye ACE



Central lifting hook

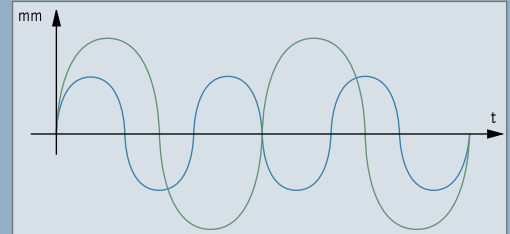
## Advantages at a glance

Large engine cover for safe and easy access

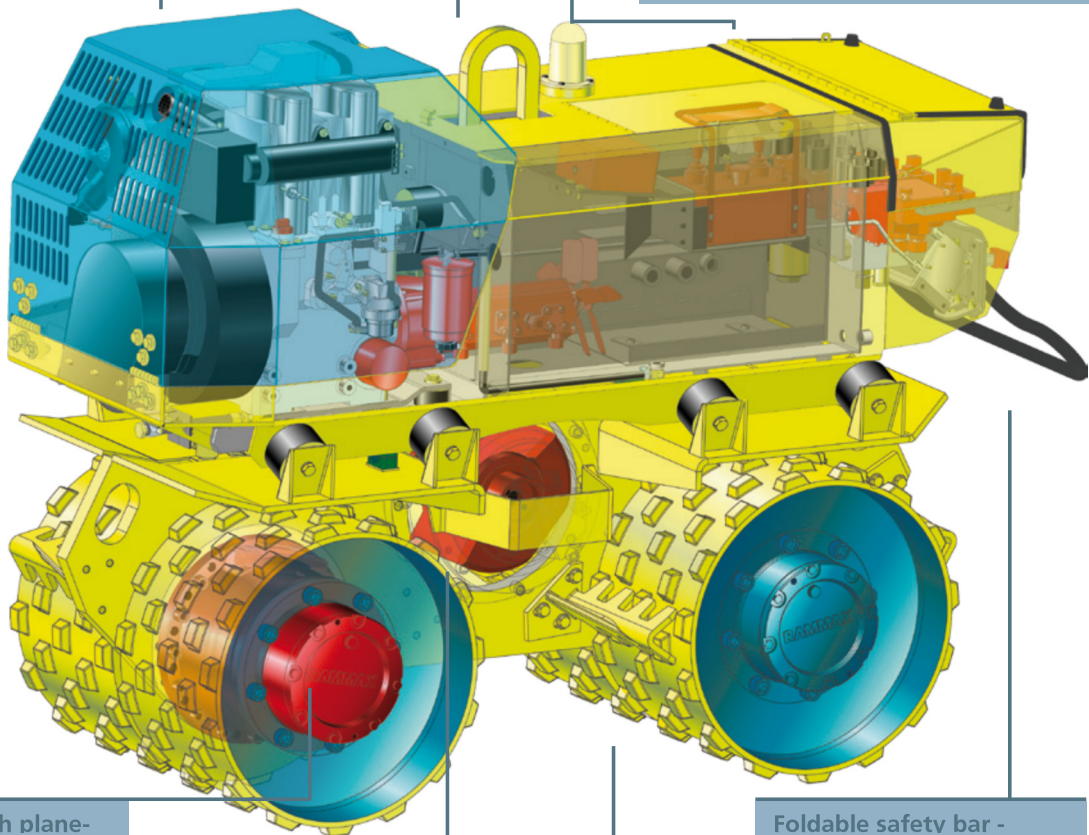
Lockable vandal cover for instrument panel

Central lifting hook

V-Version: Variable frequency and amplitude  
By switching between two compaction settings the machine can be adapted to different soil types and layer thicknesses.



	Cohesive soil	Mixed soil
Frequency	30 Hz	42 Hz
Amplitude	2.4 mm	1.4 mm
Compaction force	86 kN	54 kN



Drum drives with planetary gear box

- 5 year warranty

Central exciter housing

- 5 year warranty

Foldable safety bar -  
Lockable for transportation

Hydromechanical brakes  
- Safety for transport and parking



Rammax 1510 and 1515





## Rammax 1510 - one of a kind

Thanks to a unique articulation joint with oscillation, the Rammax 1510 is the only trench roller in the world that can move like a snake through all kind of terrain and over all sort of material still providing perfect soil contact with a consistent compaction impact.

### Efficiency

- Best compaction due to a unique articulation joint with oscillation
- Overlap thanks to a Z-shaped frame
- Equal distribution of compaction force on all four drums
- Infrared and/or cable remote control
- Infrared transmitter with solar panels - no charging necessary
- High gradeability due to a 1:5 gear reduction

### Maintenance

- maintenance-free articulation joint
- efficient drum cleaning due to well positioned scrapers
- self-cleaning effect by internal drum scrapers next to the drive motor housing
- easy access of all service points
- vibration unit accessible from outside the machine

### Options

- |                |                              |
|----------------|------------------------------|
| Rammax 1510-C  | Cable remote control         |
| Rammax 1510-I  | Infrared remote control      |
| Rammax 1510-CI | Cable- and IR remote control |

### Articulation joint with oscillation

- Reliable operation on any type of application
- Permanent around contact of all four drums
- Applicable on most different materials and soils
- Extremely stable against tumbling due to oscillating joint
- Optimized positioned center of gravity while steering

### Safety

- Infrared - and/or cable remote control
- No blind spots thanks to 2 perfectly positioned infrared receivers
- Very stable position on any terrain
- Engine cover and specific steel housing to protect radiator
- Bia covers to allow easy and safe service access

### SCT (Straight Compaction Technology)

- vibration shafts positioned in driving direction
- equal compaction forces on all drum ends
- easy access to the vibration system

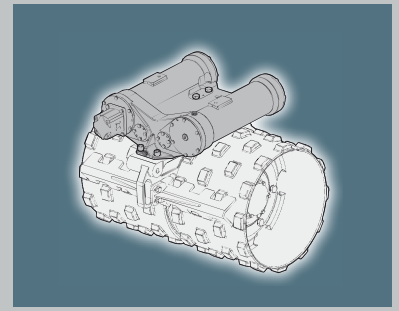


Lockable safety bar

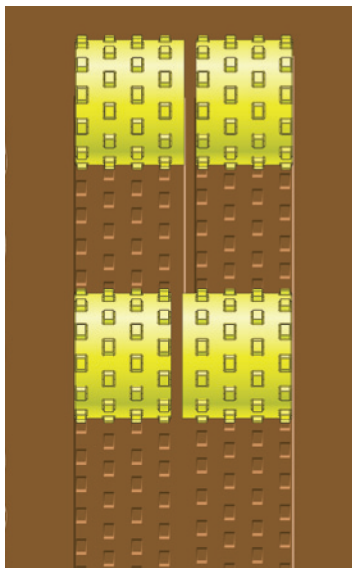


Solid engine cover

- Easy access
- Protection for engine and radiator

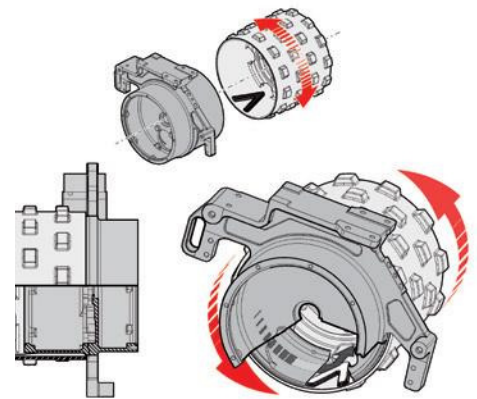
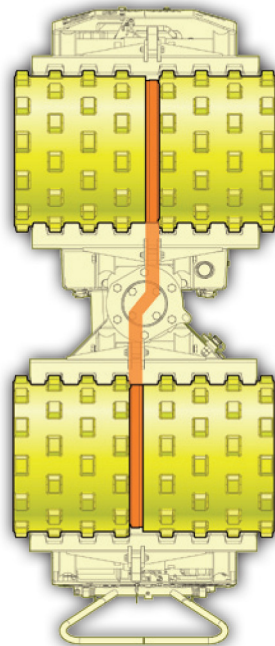


Directed vibration with SCT (Straight Compaction Technology)



Z-shaped frame

- Best homogeneous compaction
- Overlap of passes of the surface
- Improved steering reaction



Internal drum scrapers

Automatic cleaning between drive motor housing and drum

- Improved performance
- Better gradeability
- Perfect performance even on wet or sticky clay soil
- Longer lifetime







Infrared remote control with solar panels:

- no charging on mains
- always ready to use



Maintenance-free articulation joint with oscillation



2 independent control systems and 2 Infrared receivers

- infrared and cable remote control
- no blind spots

## Advantages at a glance

**SCT (Straight Compaction Technology)**

Patented System



**Engine Protection**

"ROPS" for radiator + engine

**2 infrared receivers**

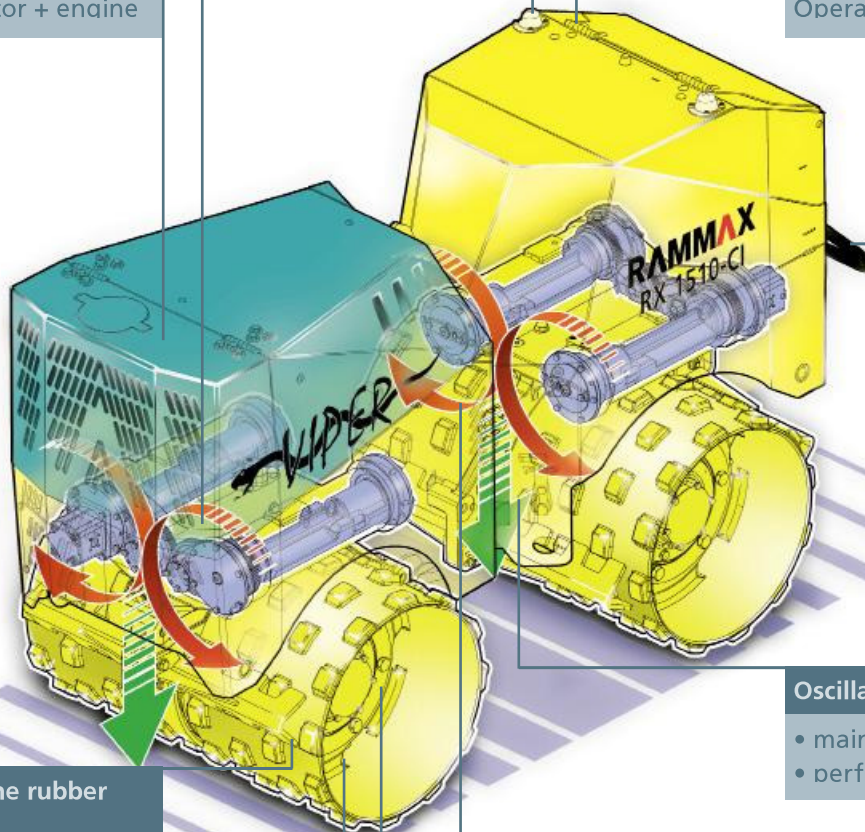
no blind spots

**2 Control systems**

Infrared- and/or cable remote control

**Safety bar**

Operator safety



**Oscillating articulation joint**

- maintenance-free
- perfect around contact

**Strong steering cylinder**

easy handling

**Scrapers below the rubber mounts**

- perfect cleaning
- long lifetime of the rubber mounts

**Internal drum scrapers**

- better performance
- self cleaning

**Rammax gear box**

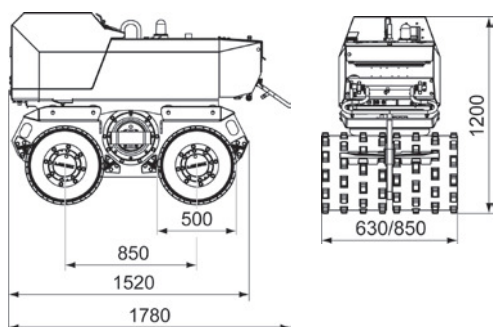
- HD-seals
- gear reduction 1:5 (high gradeability)



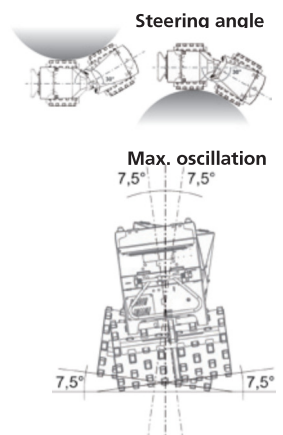
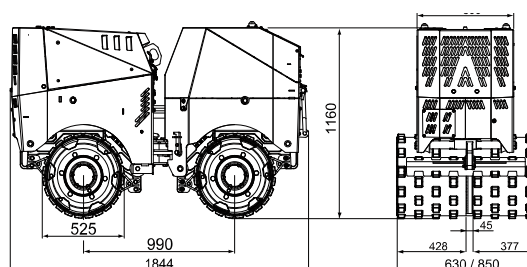
## Technical Data

		Rammax 1515		Rammax 1510	
Working width	mm	630	850	630	850
<b>Weight</b>					
Operation weight	ka	1440	1480	1470	1530
Static line load	ka/cm	11.4	8.7	12	9
Dynamic line load	ka/cm	68	51	58	46
<b>Engine</b>					
Motor / Type		Hartz 2 G 40		Lombardini LDW 1003	
Power	kW/PS	13.4 / 18.5	13.4 / 18.5	16.8 / 23	16.8 / 23
At rpm		2600	2600	3000	3000
No of cylinders		2 / water cooling		3 / water cooling	
Drive system		hydrostatic		hydrostatic	
<b>Vibration system</b>					
Centrifugal force	kN	86	86	73	36
Amplitude	mm	2.4	2.4	1.5	0.8
Frequency	Hz	30	30	41	41
Drive system		hydrostatic		hydrostatic	
<b>Fill capacities</b>					
Fuel	l	22	22	23	23
Hydraulic oil	l	60	60	43	43
<b>Driving qualities</b>					
Steering		skid-steered		articulated	
Working speed	m/min	0-16	0-16	0-16	0-16
Travel speed	m/min	0-35	0-35	0-38	0-38
Gradeability w/w/o vibration	%	45	55	50	60

Rammax 1515



Rammax 1510



**Ammann distribution companies:**

**Germany:**

Ammann Verdichtung GmbH  
D-53773 Hennef  
Tel +49 22 42 880 20  
Fax +49 22 42 88 02 59  
info.avd@ammann-group.com

**France:**

Ammann France SA  
F-94046 Créteil/Cedex  
Tel +33 1 45 17 08 88  
Fax +33 1 45 17 08 90  
info.afr@ammann-group.com

**United Kingdom:**

Ammann Equipment Ltd.  
Bearlev Stratford-upon-Avon  
GB-Warwickshire, CV37 0TY  
Tel +44 1789 414 525  
Fax +44 1789 414 495  
info.ael@ammann-group.com

**USA:**

Ammann America Inc.  
Ponte Vedra, Florida 32082, USA  
Tel +1 904 543 1691  
Fax +1 904 543 1781  
info@ammann-america.com

**Poland:**

Ammann Polska sp. z o.o.  
02-230 Warszawa  
Tel +48 22 33 77 900  
Fax +48 22 33 77 929  
info.aep@ammann-group.com

**Russia:**

Ammann Russland o.o.o.  
RU-129343 Moskau  
Tel +7 495 933 35 61  
Fax +7 495 933 35 67  
info.aru@ammann-group.com

**Ammann manufacturing companies:**

**Switzerland:**

Ammann Schweiz AG  
CH-4901 Langenthal  
Tel +41 62 916 63 56  
Fax +41 62 916 64 03  
info.aad@ammann-group.com

**Germany:**

Ammann Verdichtung GmbH  
D-53773 Hennef  
Tel +49 22 42 880 20  
Fax +49 22 42 88 02 59  
info.avd@ammann-group.com

**Czech Republic:**

Ammann Czech Republic a.s.  
CZ-54901 Nové Město nad Metují  
Tel +420 491 476 111  
Fax +420 491 470 405  
info.acz@ammann-group.com

