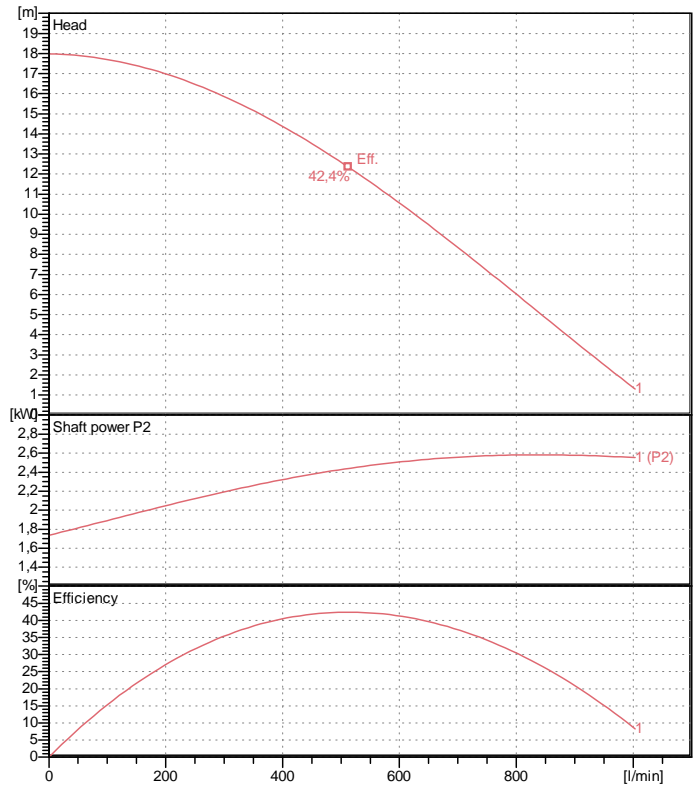
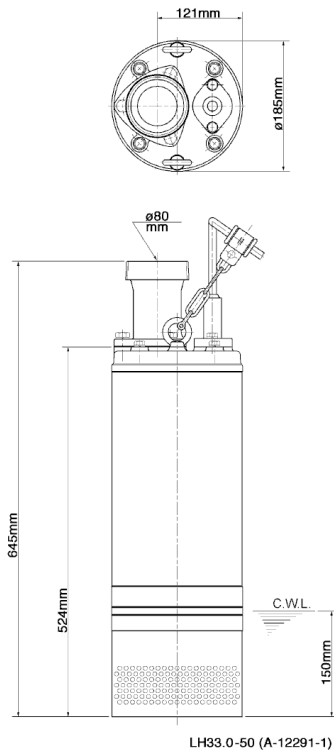


Data sheet LH33.0-50



Specification

Electric submersible pump
 Degree of protection IP 68
 Depth of submersion max. 50 m
 Type of impeller Closed
 Max. solid handling 6 mm
 Suitable for:
 rain water, ground water, sand water

Electric motor

Dry-type submersible induction motor
 Insulation class F 2Poles 2820 1/min
 Starting mode Directly
 Rated voltage 400 V 50 Hz 3~
 Power uptake 3,87 kW
 Rated power 3,00 kW
 Rated current 6,5 A
 Start current 45,0 A

Cable

20m H07RN-F 4Cx1,5mm²

Motor Protection

Circle thermal protector
 (snap-action bi-metal device)

Shaft seal

Double inside mechanical seal in oil bath
 additional lubrication by oil lifting device
 Primary seal
 Silicon carbide on silicon carbide
 Secondary seal
 Silicon carbide on silicon carbide

Bearings

Shielded ball bearings, maintenance-free

Materials

Impeller	Chromium iron casting
Pump casing	FCD45 (EN-GJS-450-10)
Motor Frame	Grey iron casting
Shaft	Stainless steel SUS420J2

Discharge size

3" (80mm) BS-Coupling (threaded flange)

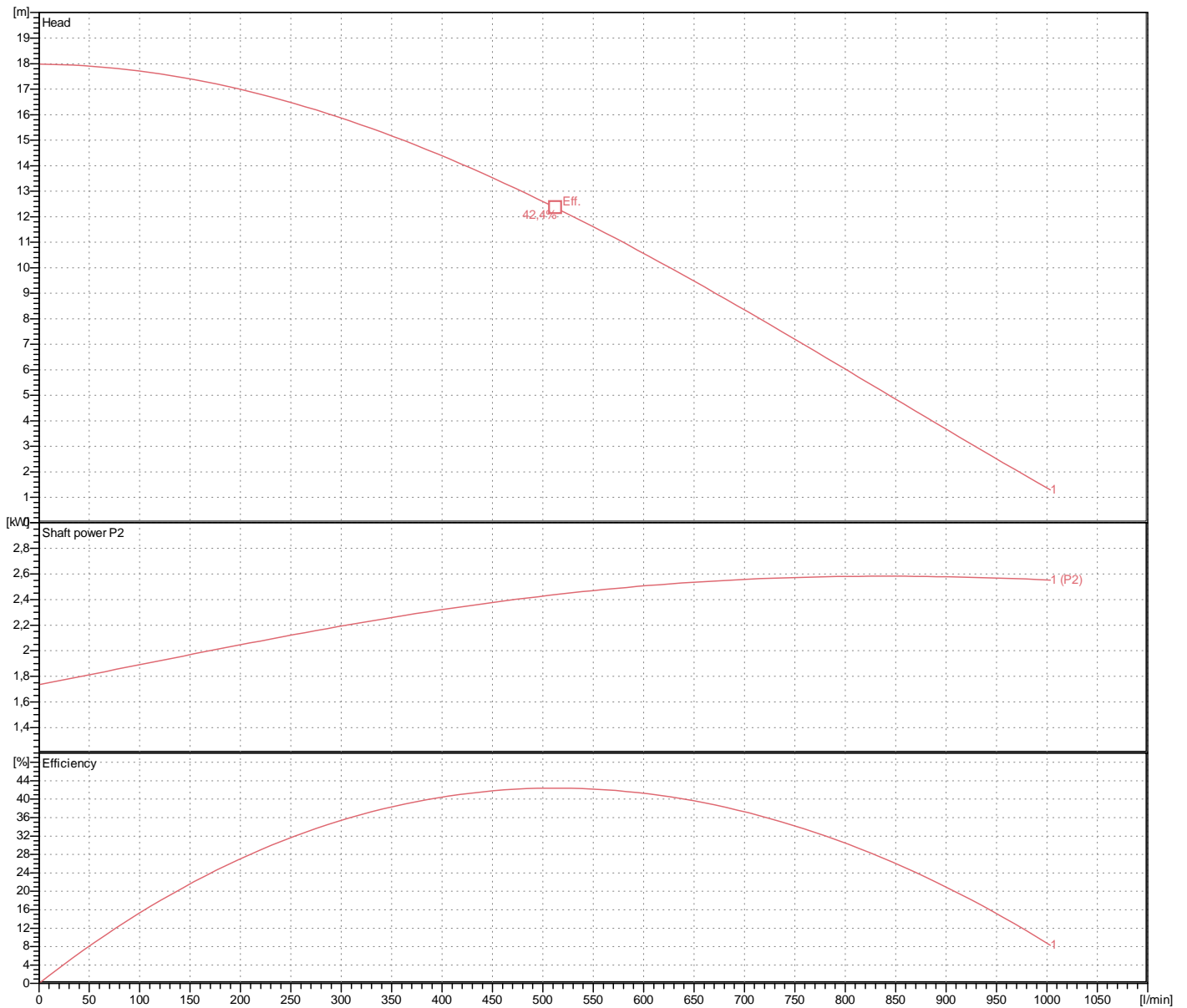
Weight

42 kg (dry weight of the pump only without cable)

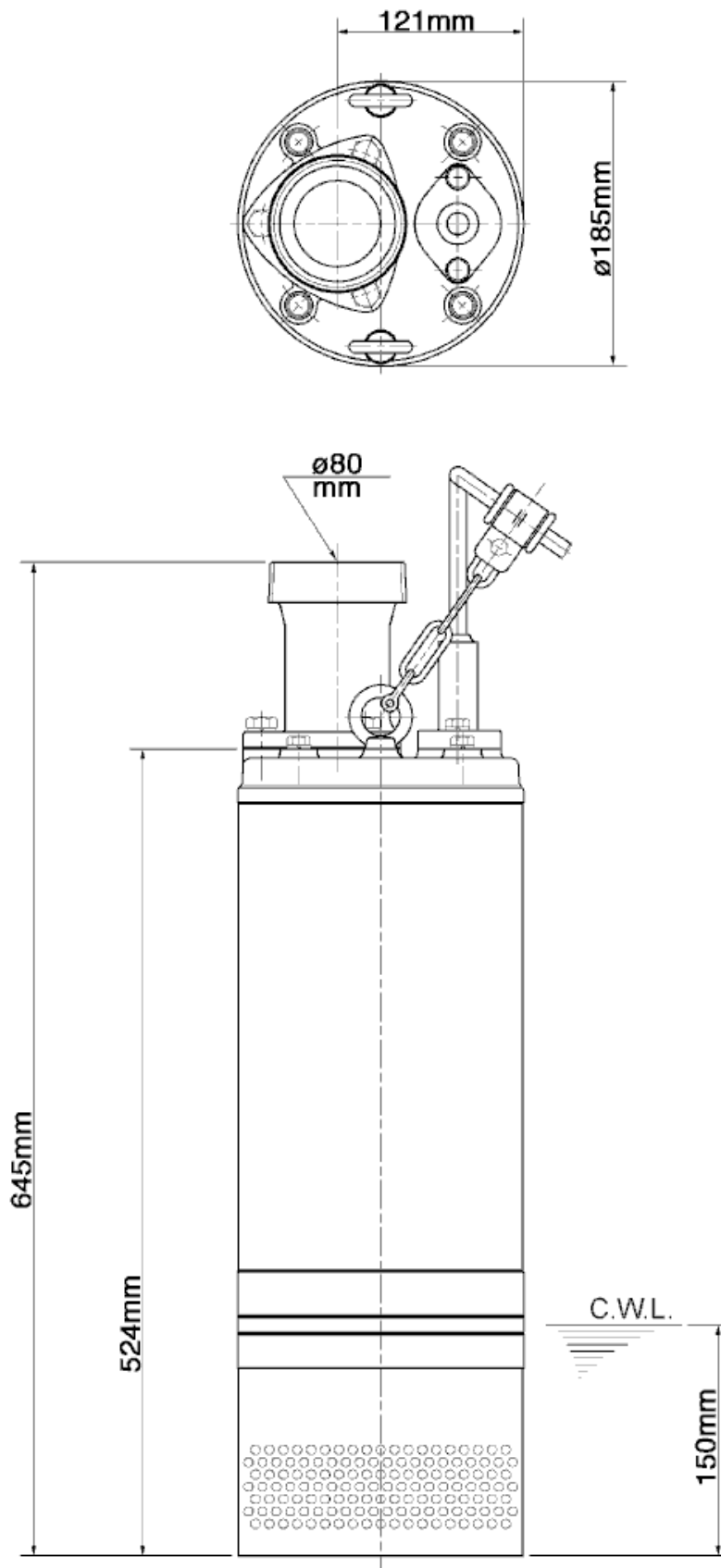
Performance curve

LH33.0-50

Discharge port	3"
Head	18,0 m
Flow	1003,5 l/min
Rated power	3,00 kW
Power input	3,87 kW
Phases	3~
Voltages	400 V
Frequency	50 Hz
Rated current	6,5 A
Starting current	44,98 A
Number of poles	2
Speed	2820 1/min
Starting mode	Directly
Insulation class	F



Dimensions LH33.0-50



LH33.0-50 (A-12291-1)

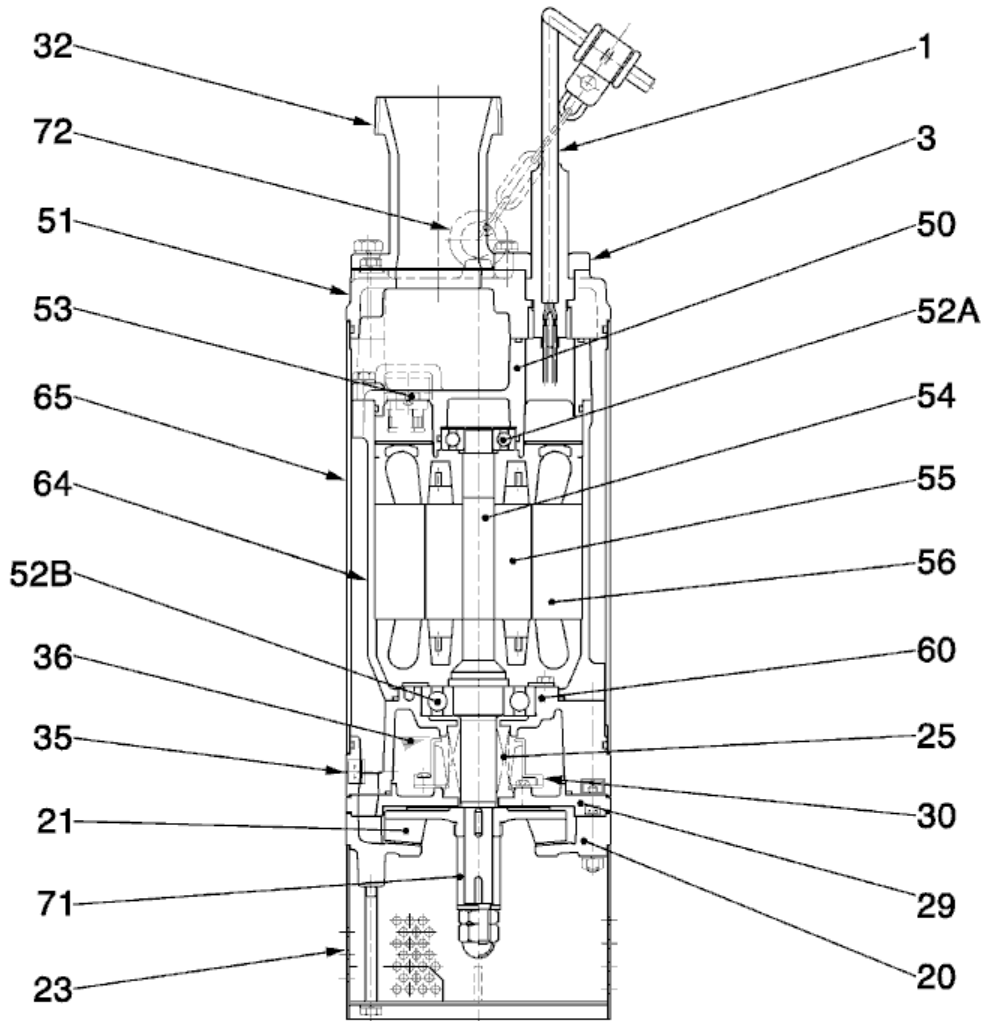
CWL: Continuous running water level
LWL: Lowest running water level

 **TSURUMI PUMP**

Tsurumi Europe GmbH
04.11.2011 V.14/29.09.2011

Heltorfer Str. 14 * 40472 Düsseldorf * Germany
Tel.: +49-211-4179373 sales@tsurumi.eu
Fax: +49-211-4791429 www.tsurumi.eu

Sectional drawing LH33.0-50



LH33.0-50 (A-12295-1)

No.	Denomination	Remark	No.	Denomination	Remark
1	Cable	20m H07RN-F 4Cx1,5mm ²	54	Shaft	Stainless steel SUS420J2
3	Gland	Grey iron casting	55	Rotor	.
	Pump casing	FCD45 (EN-GJS-450-10)	56	Stator	.
21	Impeller	Chromium iron casting	60	Bearing Housing	Grey iron casting
23	Strainer	Steel plate	64	Motor Frame	Grey iron casting
25	Mechanical seal	H-25T	65	Outer Cover	Steel plate
29	Oil casing	Nodular graphite iron	71	Shaft protection sleeve	Stainless steel SUS403
30	Oil distributor	Plastic	72	Eye screw (2x)	Stainless steel SUS304
32	Hose coupling	Nodular graphite iron			
35	Oil plug	Stainless steel SUS304			
36	Lubricant	Turbine oil (ISO VG32)			
50	Motor cover	Grey iron casting			
51	Main cover	Grey iron casting			
52A	Upper bearing	6304ZZC3			
52B	Lower bearing	6307ZZC3			
53	Motor Protector	.			