



CRAWLER - MOUNTED MOBILE JAW CRUSHER

BB 80 T

Bohr- und Anlagentechnik GmbH

Recycling and crushing technology



- ✓ compact design and high efficiency
- ✓ high mobility
- ✓ fast on-duty availability
- ✓ low price and low operating costs



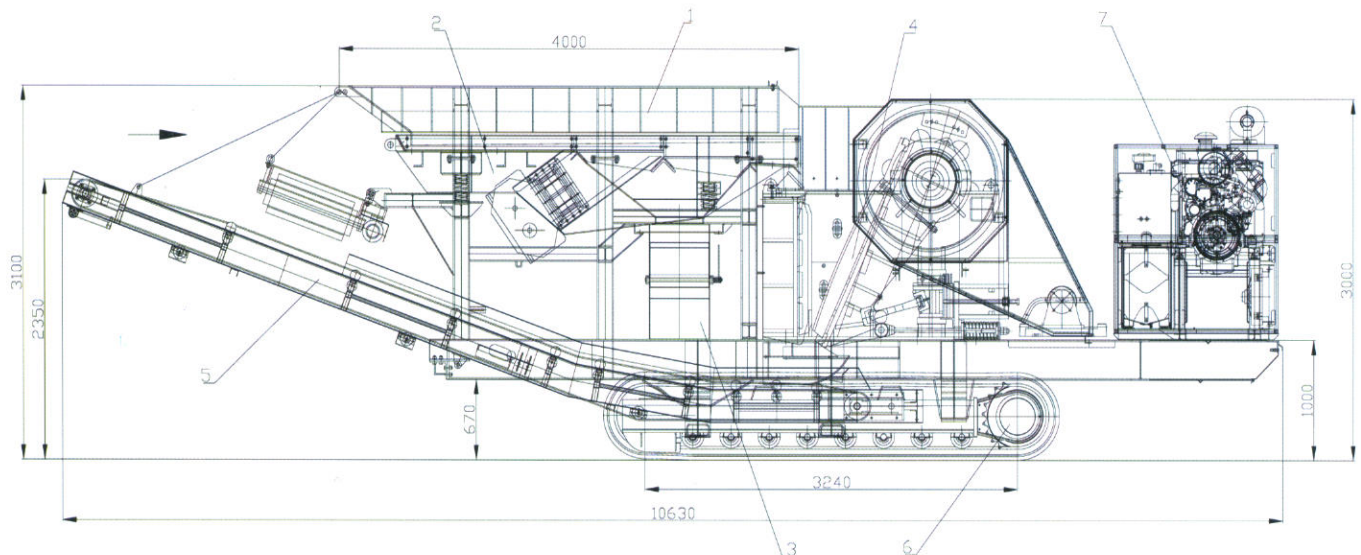
CRAWLER - MOUNTED MOBILE JAW CRUSHER BB 80 T

Equipment

1. Input hopper	m ³	around	4
2. Material channel with bar screen	m ²	around	1,2
3. Channel funnel			
4. Crank-rocker jaw crushers with diesel - hydraulic drive			
5. Tape pulling out a material, drop height	mm	around	2.350
6. Crawler, large plates	mm	around	400
7. 6-cylinder Deutz engine, cooled with water with complete hydraulic	kW		125
options:	side tape, magnetic separator, generator, radio control, spraying		

Technical specification

Application	as crusher provided for building rubble and for operation within natural stone plants		
Sieving and its size	mm	around	0 - 40
Crusher inlet	mm	around	800 x 600
Gap set-up	mm	around	45 - 130
Flow capacity	t/h	40 - 130, depending on gap spacing, material, and its loading	
Weight	t	around	26
Transporting height	mm	around	3.100
Working height	mm	around	3.100
Transporting width	mm	around	2.500
Transporting length	mm	around	10.630



BAT • Bohr- und Anlagentechnik GmbH
 Borntalstraße 11,
 36460 Merkers, Germany
 Tel.: +49 / 36969 / 546-0
 Fax: +49 / 36969 / 546-15
 E-mail: BAT_GmbH@t-online.de
 Internet: www.BAT-Maschinenbau.de



BAT - delivery program
 Size reduction engineering:
 tracked and stationary crushers and sorting
 equipment with the use of jaw, impact crushers,
 drum sieves and other components



This project is part-financed by the European Union and the Free State of Thuringia.