



CRAWLER - MOUNTED MOBILE JAW CRUSHER

BB 120 T

Bohr- und Anlagentechnik GmbH

Recycling and crushing technology



- ✓ compact design and high efficiency
- ✓ high mobility
- ✓ fast on-duty availability
- ✓ low price and low operating costs



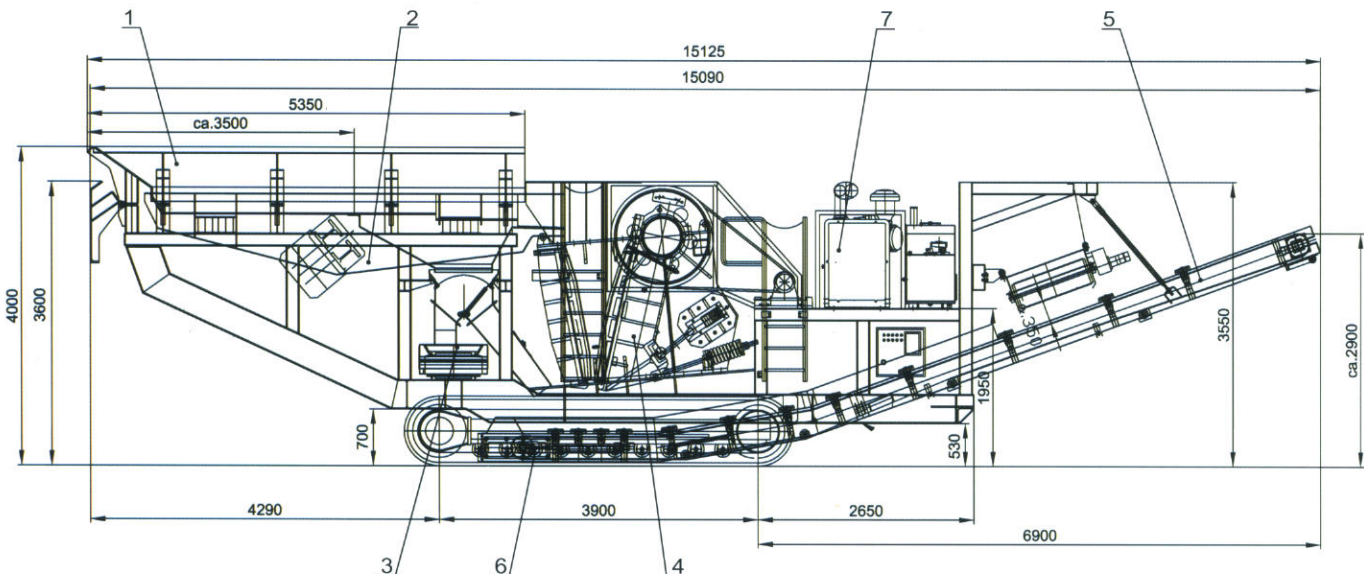
CRAWLER - MOUNTED MOBILE JAW CRUSHER BB 120 T

Equipment

1. Input hopper	m ³	around	8
2. Material channel with bar screen	m ²	around	2
3. Channel funnel			
4. Crank-rocker jaw crushers with diesel - hydraulic drive			
5. Tape pulling out a material, drop height	mm	around	2.900
6. Crawler, large plates	mm	around	450
7. 6-cylinder engine, cooled with water with complete hydraulic	kW	around	205
options:	side tape, magnetic separator, hydraulic gap set-up, generator, radio control, size reduction control, spraying, crusher rotation converter, crusher filling up control		

Technical specification

Application	as crusher provided for building rubble and for operation within natural stone plants		
Sieving and its size	mm	around	0 - 45
Crusher inlet	mm	around	1.100 x 700
Gap set-up	mm	around	45 - 150
Flow capacity	t/h	60 - 250, depending on gap spacing, material, and its loading	
Weight	t	around	46
Transporting height	mm	around	3.600
Working height	mm	around	4.000
Transporting width	mm	around	2.750
Transporting length	mm	around	15.090



BAT • Bohr- und Anlagentechnik GmbH
 Borntalstraße 11,
 36460 Merkers, Germany
 Tel.: +49 / 36969 / 546-0
 Fax: +49 / 36969 / 546-15
 E-mail: BAT_GmbH@t-online.de
 Internet: www.BAT-Maschinenbau.de



BAT - delivery program

Size reduction engineering:
 tracked and stationary crushers and sorting equipment with the use of jaw, impact crushers, drum sieves and other components



This project is part-financed by the European Union and the Free State of Thuringia.