

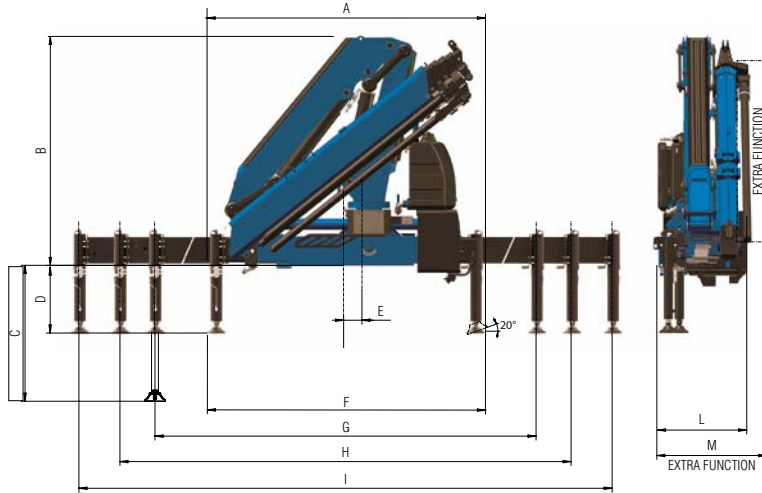
New Generation  
**911NG**



**AMCO**  **VEBA**  
LIFTING BEYOND HORIZONS

# New Generation

## Technical data 911 NG



**1S**

kg	10215	2450	1705
m	1,00*	4,17	5,98

**2S**

kg	9880	2370	1620	1225	880	640
m	1,00*	4,17	5,98	7,79	9,82	11,85

**3S**

kg	9435	2220	1490	1110	880	640	460
m	1,00*	4,25	6,06	7,87	9,82	11,85	14,00

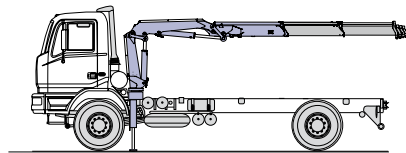
**4S**

kg	9045	2090	1375	1005	780	640	460	370
m	1,00*	4,33	6,14	7,95	9,90	11,85	14,00	16,19

**5S**

kg	8755	1990	1290	925	695	560	465	370
m	1,00*	4,40	6,21	8,02	9,97	11,92	14,00	16,19

\*) theoretical lifting capacity



Recommended truck:  
M.T.T. ton 10 - G.V.W. ton 10

	1S	2S	3S	4S	5S
<b>A</b>	2280	2280	2280	2280	2280
<b>B</b>	2110	2110	2110	2110	2110
<b>C</b>	1382	1382	1382	1382	1382
<b>D</b>	635/690	635/690	635/690	635	635/690
<b>E</b>	160	160	160	160	160
<b>F</b>	2305	2305	2305	2305	2305
<b>G</b>	3300	3300	3300	3300	3300
<b>H</b>	4805	4805	4805	4805	4805
<b>I</b>	5765	5765	5765	5765	5765
<b>L</b>	840	840	840	840	885
<b>M</b>	885	885	885	885	950

### Standard

- Designed in accordance with EN12999
- Design class: HC1-HD4
- Cross controls
- Load limit device
- Flanged valves
- Oil tank
- Manually extendable stabilizers
- Fixed stabilizer cylinders
- Swivel stabilizer foot
- Centralized greasing system
- Double linkage
- SGS Sprint Generation System
- SDD Soft Descent Drive
- 3XL Crane control system (CE)

	Lifting Moment	Slewing Angle	Working pressure	Oil tank capacity	Oil flow	Max. Vertical Reach (Hyd)	Crane weight without stabilizers
	tm	°	bar	l	l/min	m	kg
<b>1S</b>	10,2	425	315	75	40	9,5	1155
<b>2S</b>	-	425	315	75	40	11,3	1265
<b>3S</b>	-	425	315	75	40	13,3	1370
<b>4S</b>	-	425	315	75	40	15,4	1465
<b>5S</b>	-	425	315	75	40	17,5	1555

**AMCO VEBA**  
LIFTING BEYOND HORIZONS

**H.C.E. s.r.l.** unico socio  
Via Einstein, 4  
42028 Poviglio (RE) Italy  
Tel. +39 0522 40.80.11  
Fax +39 0522 40.80.80  
info@amcoveba.it  
commerciale@amcoveba.it  
www.amcoveba.com



Dealer

Data, descriptions, and illustrations pertain only and uniquely to models sold at the time of printing of this brochure. After the date of printing, this information is purely indicative and not binding upon H.C.E. Future modifications are solely at the discretion of H.C.E. and are always in compliance with applicable and pertinent safety standards. To obtain updated data, descriptions, and illustrations, contact the manufacturer or your reseller. Cranes manufactured and/or marketed by H.C.E. are not responsible for the special applications depicted. Crane applications and accessories described herein are only examples. Some applications and equipment shown may not be approved for use in CE countries or other areas. It is the installer's responsibility to ensure that the crane is applied correctly, and that its application, installation, and accessories maintain safety and comply with all local laws.