

END-CONTROLLED RIDER PALLET JACK

 **TOYOTA**
INDUSTRIAL EQUIPMENT
REACH NEW HEIGHTS

GOES THE DISTANCE, HANDLES ALL THE STOPS

- ▶ 6000 - 8000 lb. Capacity
- ▶ Electronic Coast Control Option
- ▶ 144 in. Fork Option
- ▶ Cold Conditioning Package Option



CLASS
3

ELECTRIC PALLET JACKS/STACKERS/TOW TRACTORS

ToyotaForklift.com

LONG ON PRODUCTIVITY

THE TOYOTA END-CONTROLLED RIDER. From one end of the warehouse to the other, it delivers. Maneuvering loads easily, making long runs efficiently. The End-Controlled Rider also handles multiple stops comfortably. The key? Locating the operator platform at the end of the pallet jack, for easier entry and exit — a benefit that helps the End-Controlled Rider excel as a low-level order picker, too. Goods, delivered. Productivity, boosted.

END-CONTROLLED RIDER ADVANTAGES

- ▶ **MULTIFUNCTION CONTROL HANDLE** with ergonomically positioned handgrips; dual thumbwheels; and lift, lower and horn buttons for simplified operation of all controls with either hand
- ▶ **HIGH-SPEED INTERLOCK** to maintain top travel speed for long-distance transport without continuously pressing a button

- ▶ **PROGRAMMABLE PERFORMANCE PARAMETERS** customizable through a digital display to adjust for a variety of job applications and operator skill levels
- ▶ **BOX RAIL FORK CONSTRUCTION** provides torsional rigidity and maximum strength to prevent premature fatigue
- ▶ **SOLID STEEL PULL RODS** add strength throughout the entire length of forks, and are much less likely to bend or flex than push rods, resulting in less maintenance
- ▶ **DUAL LIFT CYLINDERS** provide efficient hydraulic power for smooth, effortless lifting to reduce component wear
- ▶ **SELF-DIAGNOSTICS** simplify troubleshooting and eliminate the need for an external hand-held analyzer
- ▶ **GLANCE & GO DISPLAY** provides a quick summary of key information

144^{IN.}

FORK OPTION

UP TO 8000^{LB.}

CAPACITY

▶ **CUSHIONED STABILITY HANDRAIL** offers convenient control during high-speed travel

▶ **ELECTRONIC COAST CONTROL OPTION** augments productivity by eliminating the need for operator to pull handle down during floor-level order picking

▶ **LOW STEP HEIGHT** eases frequent entry and exit during floor-level order picking for reduced operator fatigue

▶ **COLD CONDITIONING PACKAGE OPTION** includes cold storage-specific oil, greasable steer bearing and linkage bushings, and stainless steel linkage pins for use in cold storage environments



END-CONTROLLED RIDER PALLET JACK

CAPACITY
6000 - 8000 LBS.

FORK SIZE RANGE
36 - 144 IN.

FORK OVERALL WIDTH
22 - 27.5 IN.

INDUSTRIES



Beverage



Cold Storage



Food Storage



General
Warehousing



Retail

STANDARD FEATURES

PERFORMANCE

- AC drive motor with thermal protection & current limiting
- 24-Volt electrical system
- 6" lift
- Fault code memory with hour meter reading
- Regenerative braking
- Programmable performance
- Adjustable maximum speed
- Adjustable acceleration
- On/off key switch
- Lift limit switch
- Multiple hour meter indicator
- Battery discharge indicator with lift interrupt
- Fused control & power circuits
- Hydraulic overload protection valve
- Dual 1.25"-dia. lift cylinders
- Drive-thru freezer curtain feature
- Polyurethane torsion block stabilizing casters¹
- Heavy-duty spring-loaded stabilizing casters²

BODY/EXTERIOR DESIGN

- 31.5"-long x 13.44"-wide battery compartment³
- SB-175 battery connector (gray)

ERGONOMICS

- Multifunction control handle with ergonomically angled handgrips & wrap-around hand guard
- Soft-cushioned rider platform
- Low platform step height
- Dual thumbwheels with twist grips for directional control & travel speed
- Intuitively positioned lift/lower buttons
- Curvilinear handrail with push buttons for lift, lower, horn & high-speed functions
- Low-effort control handle
- High-speed interlock button

DURABILITY

- Control Area Network (CAN-bus) communications
- Welded construction with reinforced heavy-duty bumper
- Powder coat paint finish
- Box rail fork construction
- Steel gussets reinforced rider platform
- Steel bulkhead wrappers
- Forged rectangular steel tension rods
- Heavy-duty bushings & pins
- Solid trail fork casting
- Tapered fork tips with pallet entry slides
- Four-point lift linkage
- High-strength polymer service cover
- Rubber drive tire
- Hall-effect switches

SERVICEABILITY

- AC drive motor (no brushes or commutator)
- One-piece, lightweight service access cover
- Error indicator with self-diagnostics
- Self-adjusting electric disc brake
- Teflon®-coated PolyLube™ lift linkage bushings (maintenance free)

SAFETY

- Stability handrail with lift, lower, horn & high-speed functions
- Wrap-around hand guard
- Spring-loaded control handle
- Runaway protection
- Electronic horn
- Directional reverse switch on control handle

¹ Standard only with fork lengths below 84" (2134 mm).

² Standard only with fork lengths 84" (2134 mm) & above.

³ Battery compartment length is 30.25" (768 mm) when equipped with optional battery compartment rollers.

OPTIONAL EQUIPMENT

- 48," 60" and 72" load backrest extension
- Electronic travel alarm (forward & reverse)
- Controller splash guard¹
- Keyless on/off switch²
- Electronic touchpad, keyless entry system with password protection³
- Power hookup for onboard terminal (24-Volt, 2 amp)⁴
- Power hookup for onboard terminal (24-Volt, 10 amp)⁴
- Storage tray, load backrest mounted⁵
- Storage tray, battery compartment mounted⁶
- Coast control with jog buttons¹¹
- Turtle speed (3-position key switch)
- Rubber front bumper skirt
- Pallet entry/exit rollers (single length pallet forks only 36"- 60")
- Storage tray & stretch wrap holder, load backrest mounted^{5, 9}
- Steering bearing, greaseable¹⁰
- Lubrication package for pivot points (grease fittings)
- Battery compartment rollers with dual side gates⁶
- Battery side gate interlock switches⁷
- Battery spacer kit
- Polyurethane drive tire¹²
- Non-marking rubber drive tire¹²
- Heavy-duty load wheels (Vulkollan®)¹³
- Spring-loaded stabilizing casters
- Tandem dual load wheels (3.25" x 2")^{14, 21}
- Load wheel debris diversion device¹⁴
- Polyurethane load wheels (tan durometer 95)¹³
- Load wheels, single axle/dual¹³
- Load wheels, single axle/triple¹⁴
- Cold storage conditioning^{15, 19, 20}
- Galvanized chassis^{18, 20}
- Galvanized chassis with cold storage^{15, 18, 20}
- Special paint color, complete truck
- UL-approved model type "E"¹⁶
- UL-approved model type "EE"¹⁷
- Factory pre-programmed maximum travel speed of 5 mph²²

1 Not available with option code #8087.
 2 Not available with option code #8100.
 3 Not available with option code #8099.
 4 Not available with option codes #8086 or 8087.
 5 Requires optional load backrest.
 6 Roller height is 8.1" (206 mm).
 7 Requires option code #8019.
 8 Not available with option code #8104.
 9 Not available with option code #8067.
 10 Required when ordering cold storage.
 11 Not available with option code #8093.
 12 Not available in combination with any other drive tire option.

13 Not available in combination with any other load wheel option. Option code #8201 uses sealed-type bearings. Option code #8200 uses grease fittings on axles.
 14 For model 8HBE40, only available on fork lengths of 103" (2616 mm) and lower. Not available with tandem dual load wheels (option code #8077).
 15 For models 8HBE30 & 8HBE40, when option code #8022 or 8123 is ordered, the standard soft-cushioned rider platform will be replaced with a non-skid rider platform.
 16 Not available with option codes #8102 or 8103.
 17 Not available with option codes #8102, 8103, 8022, 8069, 8098, 8122 or 8123.

18 Not available with option codes #8087, 8098, 8064, 11010 or 8070. When ordering a galvanized truck in conjunction with an optional Load Backrest Extension, the LBR won't be galvanized.
 19 Requires ordering option code #11010. Not available with option code #8087.
 20 Contact your local dealer for more information on environmental conditioning.
 21 Standard on model 8HBE40 equipped with 115"- or 144"-long (2921 or 3658 mm) forks.
 22 Not available with option codes #8121 or 8069.

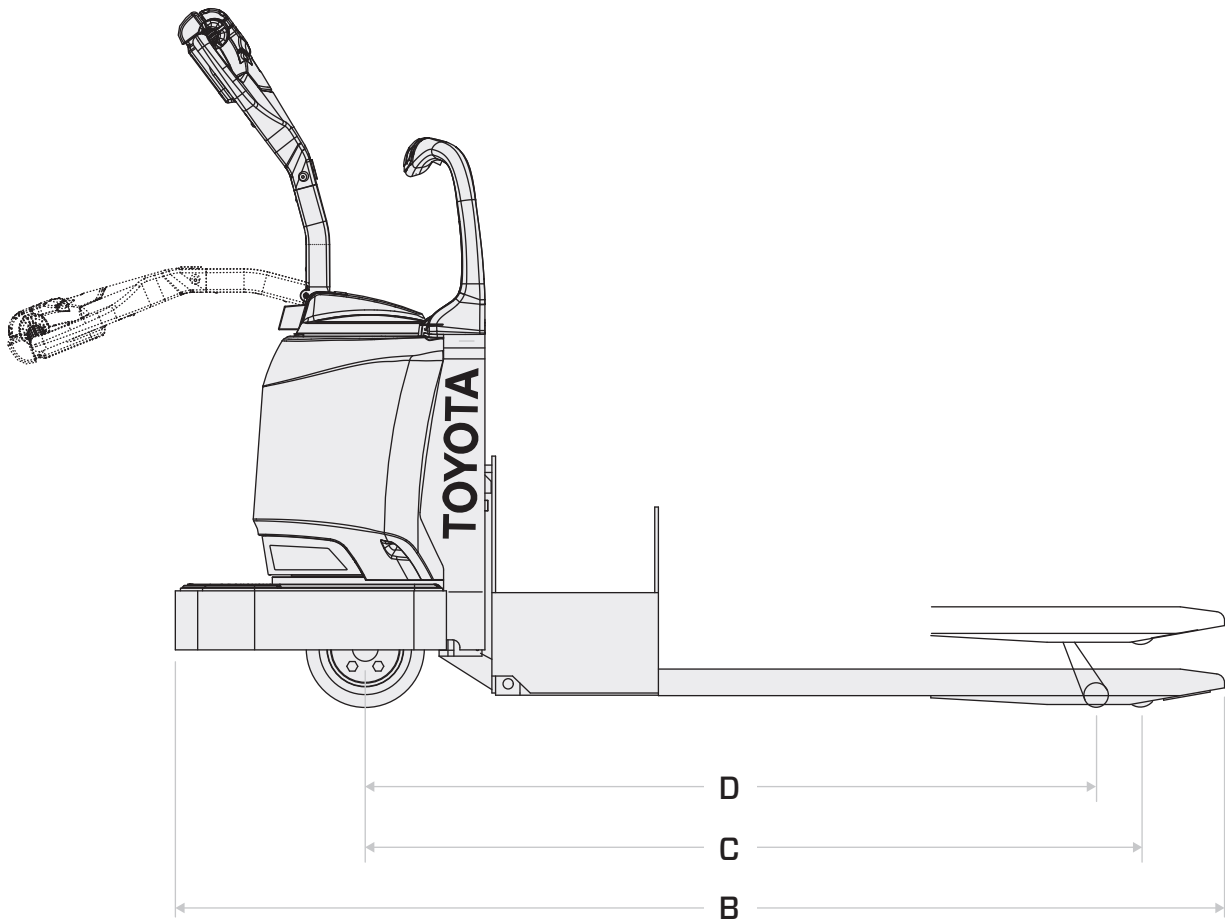
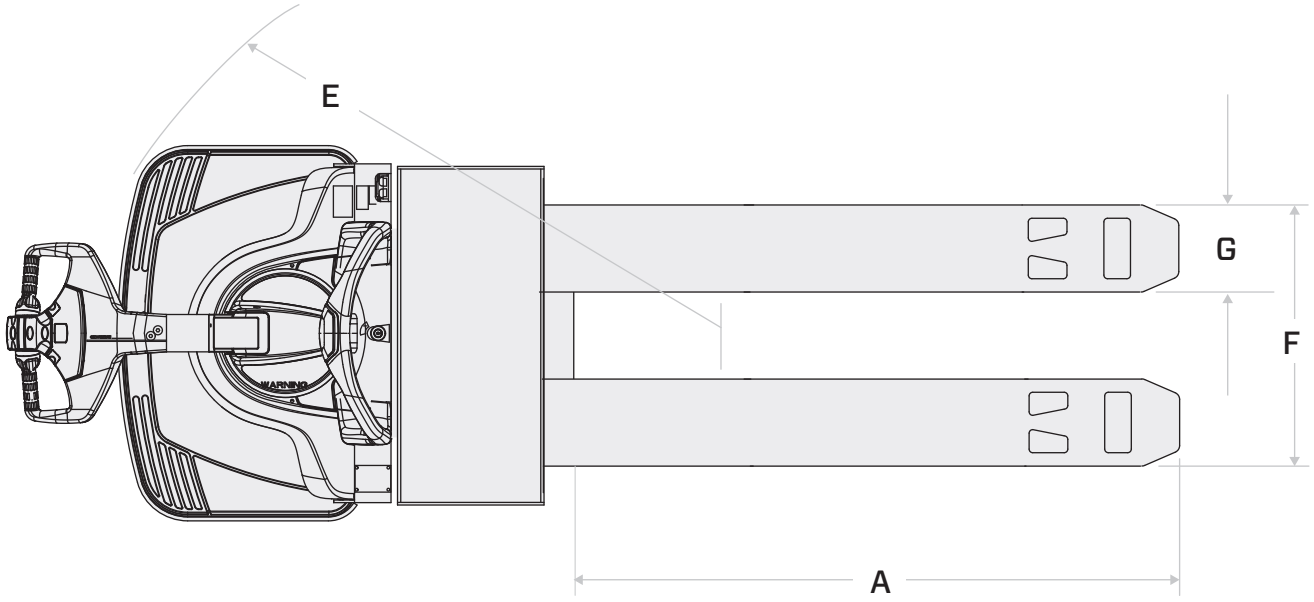


TRUCK SPECIFICATIONS

| GENERAL DATA | | | MODEL NUMBER | | | | | | | |
|--|--------------------------|----------------|--|------------------------|------------------------|------------------------|--|--------------------------|--------------------------|-----------------------------|
| GENERAL DATA | | | 8HBE30 | | | | | | | |
| Load Capacity | lb (kg) | | 6000 (2725) | | | | | | | |
| Power Type | | | Battery | | | | | | | |
| Operator Position | | | End-Controlled Walkie / Rider | | | | | | | |
| Tire Type | Drive / Caster / Load | | Rubber / Polyurethane / Polyurethane | | | | | | | |
| Wheels (x = driven) | Front / Rear | | 1 Drive, 2 Heavy-Duty Casters / 2 Load | | | | | | | |
| EXTERIOR DIMENSIONS | | | 8HBE30 | | | | | | | |
| A Fork Length | in (mm) | | 36 (914) ⁴ | 42 (1067) ⁴ | 48 (1220) ⁴ | 60 (1524) ⁴ | 84 (2134) ^{1,5} | 93 (2362) ^{1,5} | 96 (2438) ^{1,5} | 103 (2616) ^{1,2,5} |
| B Overall Length | in (mm) | | 78.4 (1991) | 84.4 (2144) | 90.4 (2296) | 102.4 (2600) | 127.8 (3222) | 136.8 (3474) | 138.8 (3525) | 145.8 (3703) |
| C Wheelbase | Lowered | in (mm) | 54.8 (1392) | 60.8 (1544) | 66.8 (1697) | 78.8 (2002) | 87.6 (2225) | 87.6 (2225) | 87.6 (2225) | 94.6 (2403) |
| | Raised | in (mm) | 50.1 (1273) | 56.1 (1425) | 62.1 (1577) | 74.1 (1882) | 82.9 (2106) | 82.9 (2106) | 82.9 (2106) | 89.9 (2283) |
| E Turning Radius | in (mm) | | 65.8 (1671) | 71.7 (1821) | 77.5 (1969) | 89.4 (2271) | 98.9 (2512) | 98.9 (2512) | 98.9 (2512) | 105.8 (2687) |
| F Overall Fork Width | in (mm) | | 22 (559) or 24 (610) or 27 (686) | | | | 22.625 (575) or 24.5 (622) or 27.5 (699) | | | |
| G Fork Width | in (mm) | | 9 (229) | | | | 10 (254) | | | |
| | Lowered | in (mm) | | | | | 3.25 (83) | | | |
| | Raised | in (mm) | | | | | 9.25 (235) | | | |
| Fork Lift | in (mm) | | 6 (152) | | | | | | | |
| Overall Width | in (mm) | | 36 (914) | | | | | | | |
| Gross Weight Without Battery | lb (kg) | | 1190 (540) | 1212 (550) | 1234 (560) | 1284 (582) | 1360 (617) | 1400 (635) | 1410 (640) | 1440 (653) |
| Head Length | in (mm) | | 42.8 (1088) | | | | 43.3 (1100) | | | |
| Power Unit Height | in (mm) | | 31.4 (798) | | | | | | | |
| Overall Height | in (mm) | | 56.7 (1440) | | | | | | | |
| Operator's Platform Height | in (mm) | | 10.25 (260) | | | | | | | |
| Distance from Control Handle to Floor (lowered position) | in (mm) | | 37.7 (958) | | | | | | | |
| Distance from Bumper to Center of Drive Tire | in (mm) | | 16.1 (409) | | | | | | | |
| Bumper Underclearance | in (mm) | | 4.50 (114) | | | | | | | |
| Bumper Height | in (mm) | | 10.0 (254) | | | | | | | |
| PERFORMANCE DATA | | | 8HBE30 | | | | | | | |
| Speeds | Full Load | mph (km/h) | 6.2 (10.0) | | | | | | | |
| | No Load | mph (km/h) | 8.8 (14.2) | | | | | | | |
| Gradeability | Full Load | % | 10 | | | | | | | |
| | No Load | % | 10 | | | | | | | |
| TIRES | | | 8HBE30 | | | | | | | |
| Tires | Number | Front / Rear | 3 / 2 | | | | | | | |
| | Size (dia. x width) | Drive (front) | in (mm) | 12 x 4.75 (305 x 121) | | | | | | |
| | | Caster (front) | in (mm) | 4 x 2.5 (102 x 64) | | | | | | |
| | | Load (rear) | in (mm) | 3.25 x 5.91 (83 x 150) | | | | | | |
| POWER SYSTEM | | | 8HBE30 | | | | | | | |
| Battery | Amps Max | V / Ah | 750 | | | | | | | |
| | Voltage | V / Ah | 24 | | | | | | | |
| | Connector / Color | | SB-175 (gray) | | | | | | | |
| | Connector Cable Location | | B | | | | | | | |
| | Connector Cable Length | | 18 (457) | | | | | | | |
| | Compartment Dimensions | | 31.5 (800) ³ | | | | | | | |
| Battery Weight | Width | in (mm) | 13.44 (341) | | | | | | | |
| | Maximum | lb (kg) | 1500 (680) | | | | | | | |
| | Minimum | lb (kg) | 490 (222) | | | | | | | |
| Electric Motors | Drive (60 minutes) | hp (kW) | 5.5 (4.1) | | | | | | | |

1 Forks are designed to handle two 48" x 40" (1220 mm x 1016 mm) pallets.
 2 These forks have a 7" (178 mm) longer wheelbase to allow for load overhang & proper load wheel drop.
 3 Length = 30.25" (768 mm) when equipped with optional Battery Compartment Rollers.
 4 Polyurethane Torsion Block Stabilizing Casters are standard.
 5 Heavy-Duty Spring-Loaded Stabilizing Casters are standard.

EXTERIOR DIMENSIONS



TRUCK SPECIFICATIONS

MODEL NUMBER

| GENERAL DATA | | | 8HBE40 | | | | | | | | |
|--|--------------------------|----------------|--|--------------------------|--------------------------|-----------------------------|--|-------------------------------|-------------------------------|-------------------------------|--|
| Load Capacity | lb (kg) | | 8000 (3632) | | | | | | | | |
| Power Type | | | Battery | | | | | | | | |
| Operator Position | | | End-Controlled Walkie / Rider | | | | | | | | |
| Tire Type | Drive / Caster / Load | | Rubber / Polyurethane / Polyurethane | | | | | | | | |
| Wheels (x = driven) | Front / Rear | | 1 Drive, 2 Heavy-Duty Casters / 2 Load | | | | | | | | |
| EXTERIOR DIMENSIONS | | | 8HBE40 | | | | | | | | |
| A Fork Length | in (mm) | | 84 (2134) ^{1,9} | 93 (2362) ^{1,9} | 96 (2438) ^{1,9} | 103 (2616) ^{1,2,9} | 115 (2921) ^{3,5,7,9} | 144 (3658) ^{4,5,7,9} | 144 (3658) ^{4,5,7,9} | 144 (3658) ^{4,5,8,9} | |
| B Overall Length | in (mm) | | 127.8 (3222) | 136.8 (3474) | 138.8 (3525) | 145.8 (3703) | 158.8 (4033) | 186.8 (4745) | 186.8 (4745) | 145.8 (3703) | |
| C Wheelbase | Lowered | in (mm) | 87.6 (2225) | 87.6 (2225) | 87.6 (2225) | 94.6 (2403) | 119.8 (3043) | 135.6 (3444) | 115.0 (2921) | 94.6 (2403) | |
| | Raised | in (mm) | 82.9 (2106) | 82.9 (2106) | 82.9 (2106) | 89.9 (2283) | 115.1 (2924) | 130.9 (3325) | 110.3 (2801) | 89.9 (2283) | |
| E Turning Radius | in (mm) | | 98.9 (2512) | 98.9 (2512) | 98.9 (2512) | 105.8 (2687) | 130.9 (3325) | 146.9 (3731) | 126.4 (3210) | 105.8 (2687) | |
| F Overall Fork Width | in (mm) | | 27.5 (699) | | | | 22.625 (575) or 24.5 (622) or 27.5 (699) | | | | |
| G Fork Width | in (mm) | | 10 (254) | | | | 10 (254) | | | | |
| Fork Height | Lowered | in (mm) | 3.25 (83) | | | | | | | | |
| | Raised | in (mm) | 9.25 (235) | | | | | | | | |
| Fork Lift | in (mm) | | 6 (152) | | | | | | | | |
| Overall Width | in (mm) | | 36 (914) | | | | | | | | |
| Gross Weight Without Battery | lb (kg) | | 1570 (712) | 1610 (730) | 1620 (735) | 1650 (748) | 1770 (803) | 1870 (848) | 1870 (848) | 1440 (653) | |
| Head Length | in (mm) | | 43.3 (1100) | | | | 43.3 (1100) | | | | |
| Power Unit Height | in (mm) | | 31.4 (798) | | | | | | | | |
| Overall Height | in (mm) | | 56.7 (1440) | | | | | | | | |
| Operator's Platform Height | in (mm) | | 10.25 (260) | | | | | | | | |
| Distance from Control Handle to Floor (lowered position) | in (mm) | | 37.7 (958) | | | | | | | | |
| Distance from Bumper to Center of Drive Tire | in (mm) | | 16.1 (409) | | | | | | | | |
| Bumper Underclearance | in (mm) | | 4.5 (114) | | | | | | | | |
| Bumper Height | in (mm) | | 10.0 (254) | | | | | | | | |
| PERFORMANCE DATA | | | 8HBE40 | | | | | | | | |
| Speeds | Full Load | mph (km/h) | 6.2 (10.0) | | | | | | | | |
| | No Load | mph (km/h) | 8.8 (14.2) | | | | | | | | |
| Gradeability | Full Load | % | 8 | | | | | | | | |
| | No Load | % | 10 | | | | | | | | |
| TIRES | | | 8HBE40 | | | | | | | | |
| Tires | Number | Front / Rear | 3 / 2 | | | | | | | | |
| | Size (dia. x width) | Drive (front) | in (mm) | 12 x 4.75 (305 x 121) | | | | | | | |
| | | Caster (front) | in (mm) | 4 x 2.5 (102 x 64) | | | | | | | |
| | | Load (rear) | in (mm) | 3.25 x 5.91 (83 x 150) | | | | | | | |
| POWER SYSTEM | | | 8HBE40 | | | | | | | | |
| Battery | Amps Max | V / Ah | 750 | | | | | | | | |
| | Voltage | V / Ah | 24 | | | | | | | | |
| | Connector / Color | | SB-175 (gray) | | | | | | | | |
| | Connector Cable Location | | B | | | | | | | | |
| | Connector Cable Length | | 18 (457) | | | | | | | | |
| | Compartment Dimensions | | 31.5 (800) ⁶ | | | | | | | | |
| Battery Weight | Width | in (mm) | 13.44 (341) | | | | | | | | |
| | Maximum | lb (kg) | 1500 (680) | | | | | | | | |
| | Minimum | lb (kg) | 490 (222) | | | | | | | | |
| Electric Motors | Drive (60 minutes) | hp (kW) | 5.5 (4.1) | | | | | | | | |

1 Forks are designed to handle two 48" x 40" (1220 mm x 1016 mm) pallets.
2 These forks have a 7" (178 mm) longer wheelbase to allow for load overhang & proper load wheel drop.
3 Forks are designed to handle three 40" x 48" (1016 mm x 1220 mm) pallets.
4 Forks are designed to handle three 48" x 40" (1220 mm x 1016 mm) pallets.
5 Tandem dual load wheels 3.25" x 2" (82.6 mm x 51 mm) are standard.
6 Length = 30.25" (768 mm) when equipped with optional Battery Compartment Rollers.
7 Load wheels drop into first slot of third pallet.
8 Load wheels drop into second slot of second pallet.
9 Heavy-Duty Spring-Loaded Stabilizing Casters are standard.

RIGHT-ANGLE STACKING AISLE REQUIREMENTS

| FORK LENGTH | PALLET LENGTH | PALLET WIDTH | | | | | | |
|---------------------------|-------------------|--------------|--------------|--------------|--------------|--------------|--------------|--------------|
| | | 30 (762) | 32 (813) | 36 (914) | 40 (1016) | 42 (1067) | 44 (1118) | 48 (1220) |
| in (mm) | in (mm) | in (mm) | in (mm) | in (mm) | in (mm) | in (mm) | in (mm) | in (mm) |
| BHBE30 | | | | | | | | |
| 36 (914) ¹ | 36 (914) | 73.4 (1864) | 73.4 (1864) | 73.4 (1864) | 73.4 (1864) | 73.4 (1864) | 73.4 (1864) | 73.4 (1864) |
| 42 (1067) ¹ | 42 (1067) | 79.4 (2017) | 79.4 (2017) | 79.4 (2017) | 79.4 (2017) | 79.4 (2017) | 79.4 (2017) | 79.4 (2017) |
| 48 (1220) ¹ | 48 (1220) | 85.4 (2169) | 85.4 (2169) | 85.4 (2169) | 85.4 (2169) | 85.4 (2169) | 85.4 (2169) | 85.4 (2169) |
| 60 (1524) ¹ | 60 (1524) | 97.4 (2474) | 97.4 (2474) | 97.4 (2474) | 97.4 (2474) | 97.4 (2474) | 97.4 (2474) | 97.4 (2474) |
| 84 (2134) ^{2,7} | 2 x 48 (2 x 1220) | 130.0 (3302) | 129.8 (3297) | 129.6 (3292) | 129.3 (3284) | 129.1 (3279) | 129.0 (3277) | 128.7 (3269) |
| 93 (2362) ^{3,7} | 2 x 48 (2 x 1220) | 139.2 (3536) | 139.0 (3531) | 138.8 (3526) | 138.6 (3520) | 138.4 (3515) | 138.3 (3513) | 138.1 (3508) |
| 96 (2438) ^{4,7} | 2 x 48 (2 x 1220) | 142.3 (3615) | 142.2 (3612) | 142.0 (3607) | 141.8 (3602) | 141.7 (3599) | 141.5 (3594) | 141.3 (3589) |
| 103 (2616) ^{5,7} | 2 x 48 (2 x 1220) | 149.3 (3792) | 149.2 (3790) | 149.0 (3785) | 148.8 (3780) | 148.7 (3777) | 148.5 (3772) | 148.3 (3767) |

| FORK LENGTH | PALLET LENGTH | PALLET WIDTH | | | | | | |
|---------------------------------|-------------------|--------------|--------------|--------------|--------------|--------------|--------------|--------------|
| | | 30 (762) | 32 (813) | 36 (914) | 40 (1016) | 42 (1067) | 44 (1118) | 48 (1220) |
| in (mm) | in (mm) | in (mm) | in (mm) | in (mm) | in (mm) | in (mm) | in (mm) | in (mm) |
| BHBE40 | | | | | | | | |
| 84 (2134) ^{7,2} | 2 x 48 (2 x 1220) | 130.0 (3302) | 129.8 (3297) | 129.6 (3292) | 129.3 (3284) | 129.1 (3279) | 129.0 (3277) | 128.7 (3269) |
| 93 (2362) ^{7,3} | 2 x 48 (2 x 1220) | 139.2 (3536) | 139.0 (3531) | 138.8 (3526) | 138.6 (3520) | 138.4 (3515) | 138.3 (3513) | 138.1 (3508) |
| 96 (2438) ^{4,7} | 2 x 48 (2 x 1220) | 142.3 (3615) | 142.2 (3612) | 142.0 (3607) | 141.8 (3602) | 141.7 (3599) | 141.5 (3594) | 141.3 (3589) |
| 103 (2616) ^{4,6,7} | 2 x 48 (2 x 1220) | 149.3 (3792) | 149.2 (3790) | 149.0 (3785) | 148.8 (3780) | 148.7 (3777) | 148.5 (3772) | 148.3 (3767) |
| 115 (2921) ^{7,8,10,11} | 3 x 40 (2 x 1220) | 160.3 (4072) | 160.1 (4067) | 159.7 (4056) | 159.3 (4046) | 159.1 (4041) | 158.9 (4036) | 158.6 (4028) |
| 144 (3658) ^{7,9,10,11} | 3 x 48 (2 x 1220) | 190.3 (4834) | 190.2 (4831) | 190.0 (4826) | 189.8 (4821) | 189.7 (4818) | 189.5 (4813) | 189.3 (4808) |
| 144 (3658) ^{7,9,10,12} | 3 x 48 (2 x 1220) | 191.0 (4851) | 190.9 (4849) | 190.8 (4846) | 190.6 (4841) | 190.6 (4841) | 190.5 (4839) | 190.3 (4834) |

Minimum Aisle Width for Right-Angle Stacking
Includes 4" (102 mm) clearance on each side of load.
Add a minimum of 12" (305 mm) for easy maneuvering.

- 1 Polyurethane Torsion Block Stabilizing Casters are standard.
- 2 For two 48" x 40" (1220 mm x 1016 mm) pallets entered on the 40" (1016 mm) face, with a total of 12" (305 mm) of pallet overhanging the forks.
- 3 For two 48" x 40" (1220 mm x 1016 mm) pallets entered on the 40" (1016 mm) face, with a total of 3" (77 mm) of pallet overhanging the forks.
- 4 For two 48" x 40" (1220 mm x 1016 mm) pallets entered on the 40" (1016 mm) face.
- 5 For two 48" x 40" (1220 mm x 1016 mm) pallets entered on the 40" (1016 mm) face, with a total of 7" (178 mm) of load overhang.
- 6 These forks have a 7" (178 mm) longer wheelbase to allow for load overhang & proper load wheel drop.
- 7 Heavy-Duty Spring-Loaded Casters are standard.
- 8 For three 40" x 48" (1220 mm x 1016 mm) pallets entered on the 48" (1220 mm) face, with a total of 5" (127 mm) of pallet overhanging the forks.
- 9 For three 48" x 40" (1220 mm x 1016 mm) pallets entered on the 40" (1016 mm) face.
- 10 Tandem dual load wheels 3.25" x 2" (83 mm x 51 mm) are standard.
- 11 Load wheel drops into first slot of third pallet.
- 12 Load wheel drops into second slot of second pallet.

GREEN LIGHT ONLY
LOADING OR UNLOADING

STAR 4
TRUCK STOP





TOYOTA

POWERED

RAIN



COUNT ON THE LEADER

- ▶ Toyota leads in quality, durability, reliability and value, thanks to advanced technology and the world-renowned Toyota Production System.
- ▶ With the broadest and most complete set of material-handling solutions in the industry, Toyota Dealers specialize in meeting all of your needs — from a single forklift to an entire fleet.
- ▶ Toyota's industry-leading network of dealers backs every forklift with proven product support. Resources include factory-trained service technicians, Toyota Genuine Parts, and flexible leasing and financing packages through Toyota Commercial Finance.

- ▶ Toyota forklifts have ranked No. 1 in safety and quality since 2002, according to studies conducted by Peerless Research Group.

For more information, including full specs, see your Toyota Dealer or ToyotaForklift.com.

 **TOYOTA**
INDUSTRIAL EQUIPMENT
REACH NEW HEIGHTS

Some product features described herein are optional. Please consult your dealer for specifications. Details of specifications and equipment are based on information available at time of printing and may change without notice.