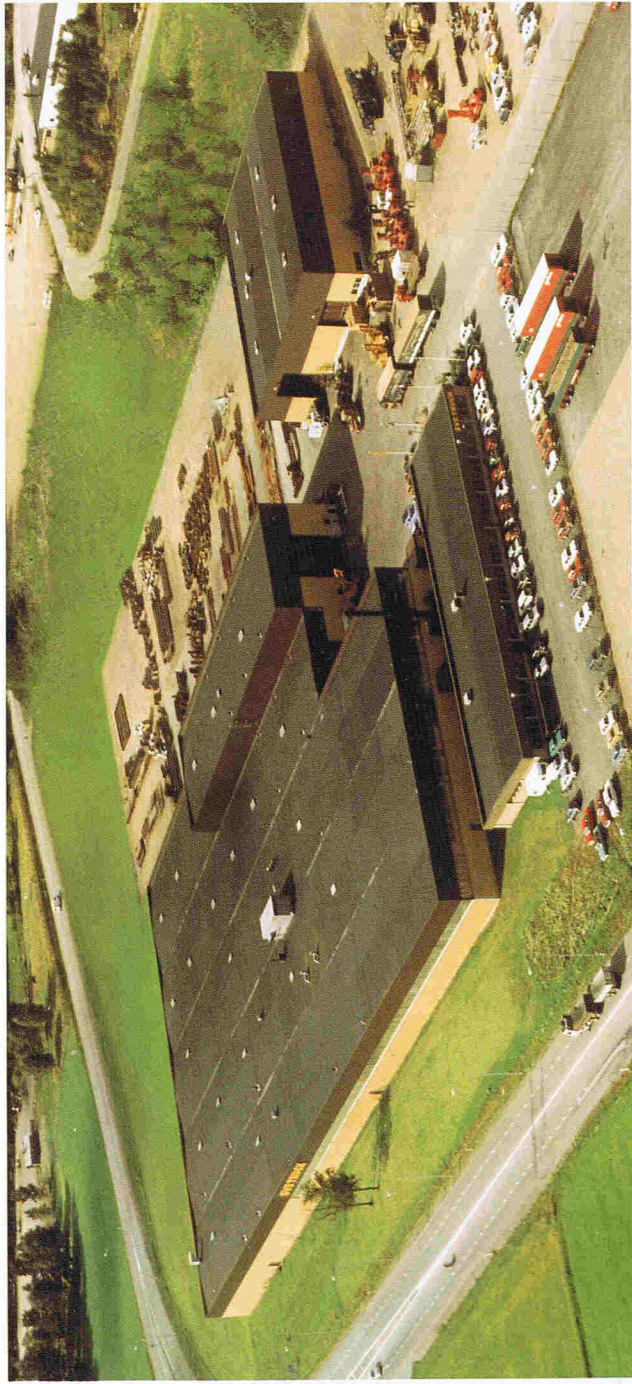


SVETRUCK®

8-50t



**Svetruck,
master builders of heavy lifting
equipment**



SVETRUCK®

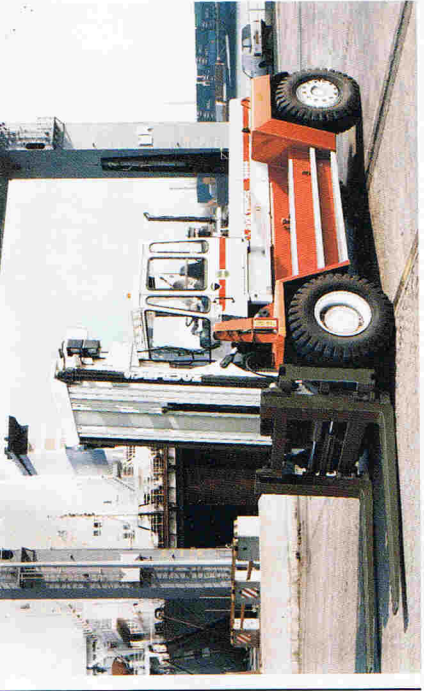
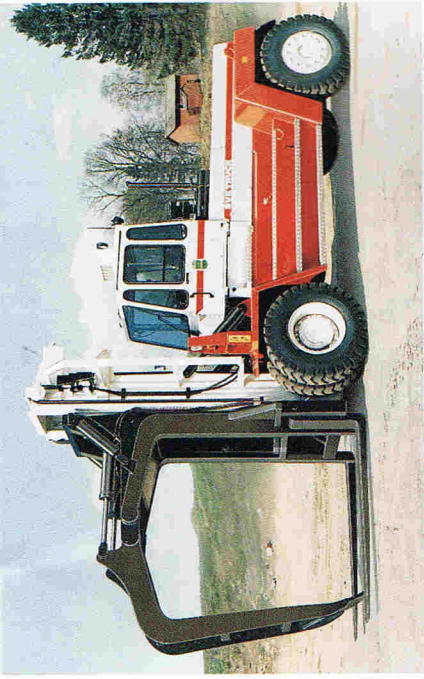
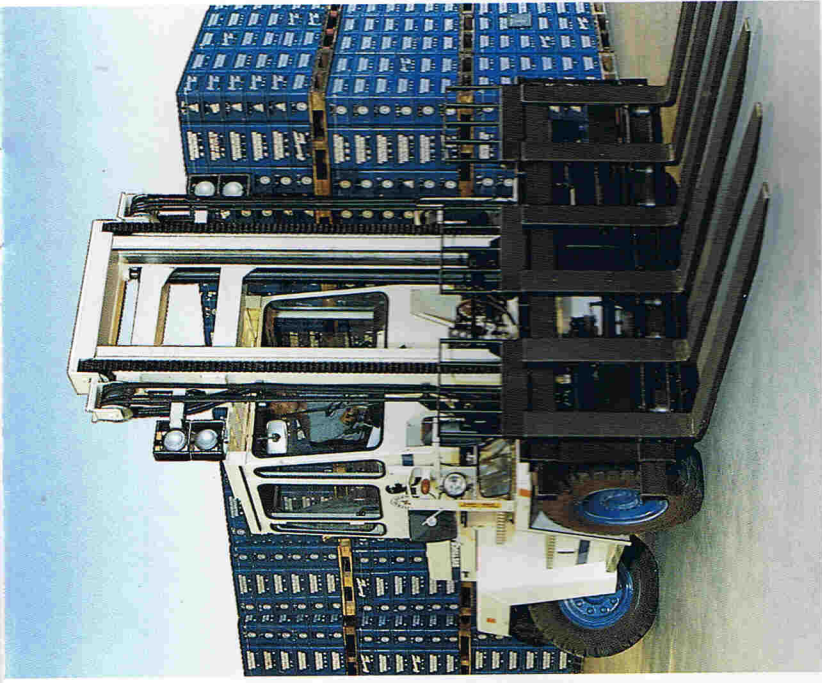
The demands on materials handling equipment are steadily increasing. Keeping pace with these developments means constantly staying in touch with you - the end user. By listening to you and by drawing on your own experience and resources we can produce the ideal solution to any forklift handling problem.

Today, Svetruck is one of the foremost manufacturers of heavy forklift trucks in Europe with a comprehensive range of capacities from 8 to 50 tonnes.

A simple but well thought out basic design is essential. To this must be added the other essential ingredients of ease of maintenance, driver comfort, high performance components with minimum possible downtime plus flexibility of use for years of faithful service.

Every Svetruck is built this way.

But it does not end there. The same appreciation of your needs is extended into our sales service. Our strict policy ensures ready availability of replacement parts, technical support and maintenance service keeping Svetruks everywhere in their rightful place - hard at work!



8-15

12-16

16-20 HS 18-30

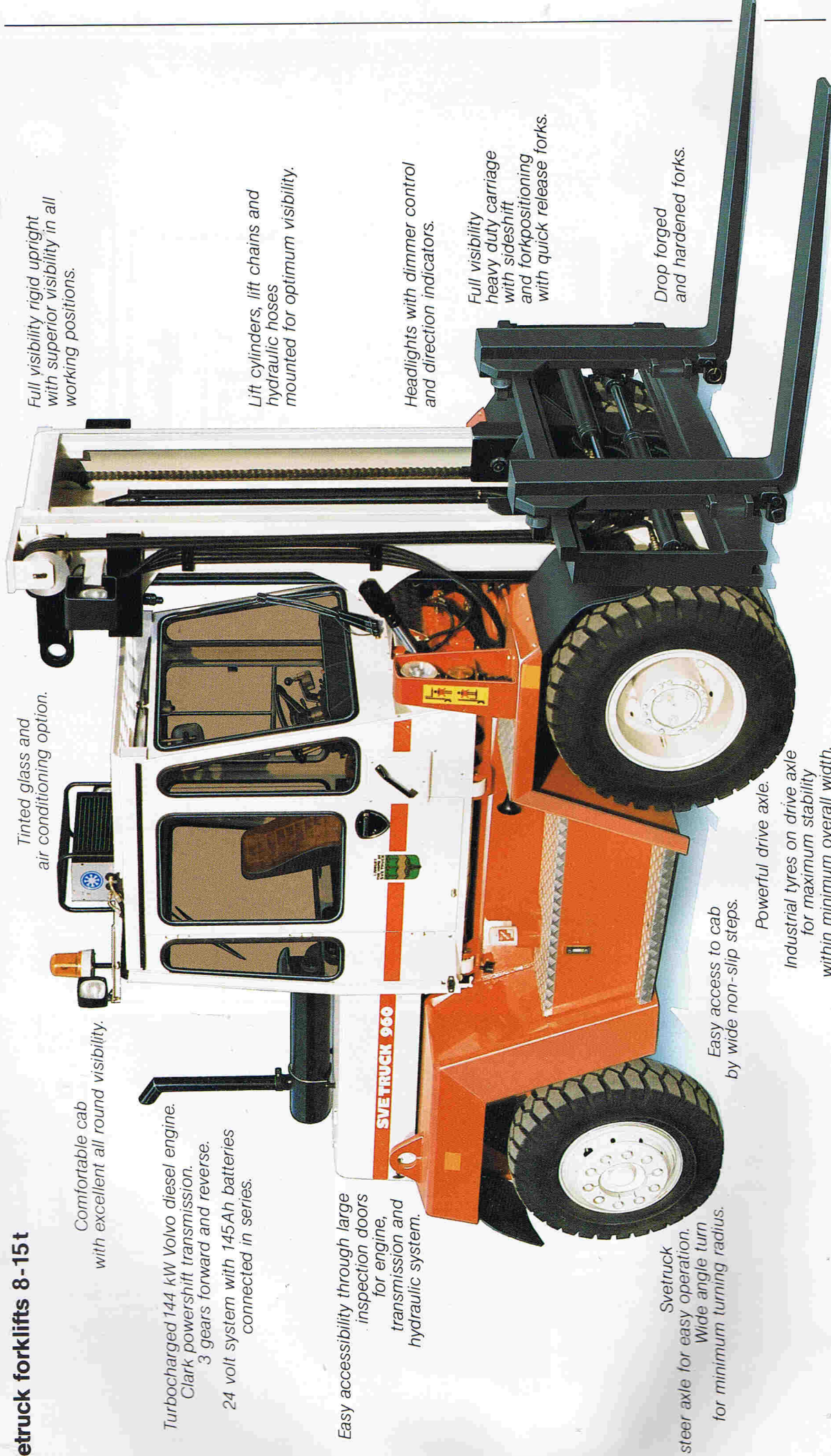
32-50

TMF

Liftmasts · Dimensions
Load diagrams

8-15

Svetruck forklifts 8-15t



Tinted glass and air conditioning option.

Full visibility rigid upright with superior visibility in all working positions.

Comfortable cab with excellent all round visibility.

Turbocharged 144 kW Volvo diesel engine.
Clark powershift transmission.
3 gears forward and reverse.
24 volt system with 145Ah batteries connected in series.

Lift cylinders, lift chains and hydraulic hoses mounted for optimum visibility.

Easy accessibility through large inspection doors for engine, transmission and hydraulic system.

Headlights with dimmer control and direction indicators.

Full visibility heavy duty carriage with sideshift and forklifting with quick release forks.

Drop forged and hardened forks.

Svetruck steer axle for easy operation.
Wide angle turn for minimum turning radius.

Easy access to cab by wide non-slip steps.

Powerful drive axle.

Industrial tyres on drive axle for maximum stability within minimum overall width.

Facts and data

1	Manufacturer	
2	Type	Model
3	Liftcapacity	Q Load
4	Loadcenter	c
5	Liftheight telescopic mast	h3 Standard h5 Freelift (option)
6		Forwards α, backwards β
7	Tilt	L1
8	Forklength	b x s
9	Forkarm width/thickness	b1 max-min
10	Distance between forks	L2 Length incl. forkshafts B Width
11		h1 Closed height h4 Extended height
12	Overall dimensions	h2 Height over cab
13		Wt
14	Turning radius	x from center of driveaxle
15	Loadarm	Ax1 4 with forklength acc. to pos. 8
16	90°-stacking aisle	
17	Stabilityfactor	
18		Driving speed fwds/bwds
19		Lifting speed with/without load
20	Drive- and lift-performance	Lowering speed with/without load
21		In carriage loaded
22	Drawbar pull	With/without load
23		Standard equipped
24	Climbing performance	Driveaxle with/without load
25	Total weight	Steer axle with/without load
26	Axle load	Number driveaxle/steeraxle
27		Dimension drivewheels
28	Wheels, x = driven	y
29		Driveaxle/steeraxle
30	Tires	m2 under driveaxle
31	Wheelbase	m1 mid forklift
32	Track	Mainbrake
33	Groundclearance	Parkingbrake
34		Manufacturer type
35	Brakes	Rating DIN 6270 B
36		Rpm DIN 6270 B
37		Torque
38		Stroke/no of cyl./cyl. volume
39	Engine	Fuel consumption (diesel)
40		AC
41		Voltage/capacity
42	Alternator	Type
43		Type of gearshift
44	Battery	Number of gears fwds/rev.
45		Model
46	Transmission	For attachments
47		
48		
49	Working pressure	kPa

860-26

860-28

960-26

1060-28

1060-30

1260-30

1360-32

1560-32

860-26	860-28	960-26	1060-28	1060-30	1260-30	1360-32	1560-32
8	8	9	10	10	12	13.6	15
600	600	600	600	600	600	600	600
4.000	4.000	4.000	4.000	4.000	4.000	4.000	4.000
2.000	2.000	2.000	2.000	2.000	2.000	2.000	2.000
6/10	6/10	6/10	6/10	6/10	6/10	6/10	6/10
1.500	1.500	1.500	1.500	1.500	1.500	2.400	2.400
180x60	180x60	200x65	200x65	200x70	200x70	200x70	200x100
2.310-580	2.310-580	2.310-620	2.310-620	2.310-620	2.310-620	2.310-620	2.340-620
4.170	4.370	4.175	4.375	4.575	4.580	4.780	4.835
2.420	2.420	2.420	2.435	2.435	2.435	2.435	2.480
3.525	3.525	3.525	3.475	3.475	3.475	3.475	3.650
5.525	5.525	5.525	5.475	5.475	5.475	5.475	5.650
2.865	2.865	2.865	2.890	2.890	2.890	2.890	2.915
3.900	4.100	3.900	4.100	4.300	4.300	4.500	4.700
1.445	1.445	1.450	1.450	1.450	1.455	1.455	1.510
6.445	6.645	6.450	6.650	6.850	6.855	7.955	8.210
1.33	1.33	1.33	1.33	1.33	1.33	1.33	1.33
30/30	30/30	30/30	30/30	30/30	30/30	30/30	30/30
0.40/0.45	0.40/0.45	0.40/0.45	0.35/0.40	0.35/0.40	0.35/0.40	0.35/0.40	0.30/0.35
0.50/0.45	0.50/0.45	0.50/0.45	0.50/0.45	0.50/0.45	0.50/0.45	0.50/0.45	0.45/0.40
8.800	8.800	8.800	8.400	8.400	8.400	8.400	9.700
40/40	40/40	40/40	40/40	40/40	40/40	40/40	30/30
12.100	11.700	13.100	14.000	13.700	15.250	16.150	18.600
18.650/6.200	18.300/6.200	20.400/6.400	22.300/7.100	22.100/7.300	25.300/7.500	27.700/7.900	31.300/9.200
1.450/5.900	1.400/5.500	1.700/6.700	1.700/6.900	1.600/6.400	1.950/7.750	2.050/8.250	2.300/9.400
10.00x20"	10.00x20"	10.00x20"	11.00x20"	11.00x20"	11.00x20"	11.00x20"	12.00x20"
10.00x20"	10.00x20"	10.00x20"	11.00x20"	11.00x20"	11.00x20"	11.00x20"	12.00x20"
2.600	2.800	2.600	2.800	3.000	3.000	3.200	3.200
1.820/1.930	1.820/1.930	1.820/1.930	1.820/1.930	1.820/1.930	1.820/1.930	1.820/1.930	1.820/1.910
225	225	225	230	230	230	230	225
315	315	315	320	320	320	320	315
Air	Air	Air	Air	Air	Air	Air	Air
Air	Air	Air	Air	Air	Air	Air	Air
Volvo TD 61 A	Volvo TD 61 A	Volvo TD 61 A	Volvo TD 61 A	Volvo TD 61 A	Volvo TD 61 A	Volvo TD 61 A	Volvo TD 61 A
144	144	144	144	144	144	144	144
2.500	2.500	2.500	2.500	2.500	2.500	2.500	2.500
568/1.800	568/1.800	568/1.800	568/1.800	568/1.800	568/1.800	568/1.800	568/1.800
4/6/5.480	4/6/5.480	4/6/5.480	4/6/5.480	4/6/5.480	4/6/5.480	4/6/5.480	4/6/5.480
10	10	10	10	10	10	10	10
1.540	1.540	1.540	1.540	1.540	1.540	1.540	1.540
24/145	24/145	24/145	24/145	24/145	24/145	24/145	24/145
Converter	Converter	Converter	Converter	Converter	Converter	Converter	Converter
Mechanic	Mechanic	Mechanic	Mechanic	Mechanic	Mechanic	Mechanic	Mechanic
3/3	3/3	3/3	3/3	3/3	3/3	3/3	3/3
Clark 28000	Clark 28000	Clark 28000	Clark 28000	Clark 28000	Clark 28000	Clark 28000	Clark 28000
14.000	14.000	16.000	14.000	14.000	16.000	17.500	16.500

12-16

Svetruck forklifts 12-16t

Turbocharged 144 kW Volvo diesel engine.
Clark powershift transmission.
3 gears forward and reverse.
24 volt system with 145Ah batteries
connected in series.

Easy accessibility through large
inspection doors
for engine,
transmission and
hydraulic system.

Comfortable cab
with excellent all round visibility.

Full visibility rigid upright
with superior visibility in all
working positions.

Lift cylinders, lift chains and
hydraulic hoses
mounted for optimum visibility.

Headlights with dimmer control
and direction indicators.

Full visibility
heavy duty carriage
with sideshift
and forklifting
with quick release forks.

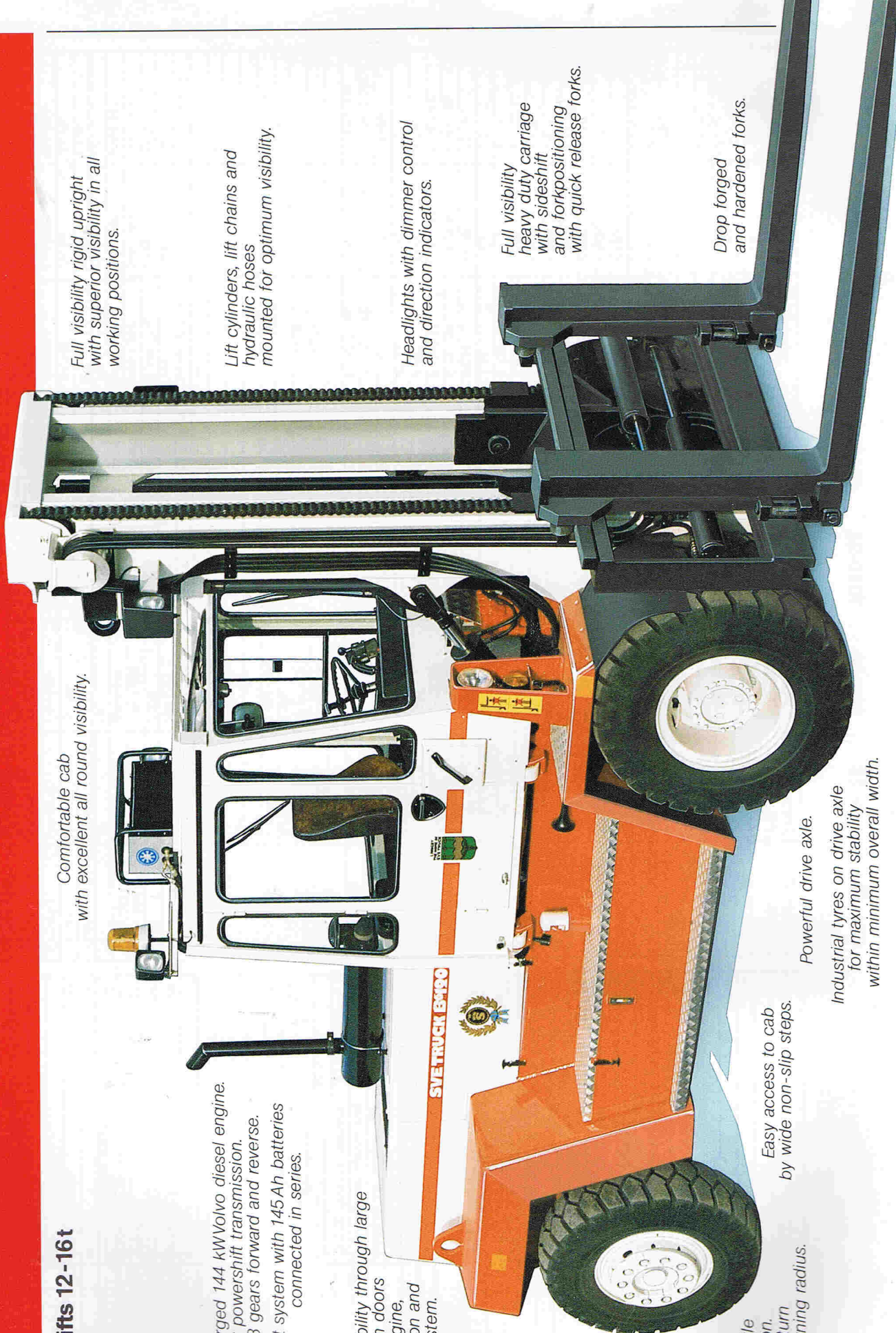
Drop forged
and hardened forks.

Svetruck steer axle
for easy operation.
Wide angle turn
for minimum turning radius.

Easy access to cab
by wide non-slip steps.

Powerful drive axle.

Industrial tyres on drive axle
for maximum stability
within minimum overall width.



Facts and data

12120-35 136120-35 15120-35 16120-38

1	Manufacturer	
2	Type	Model
3	Liftcapacity	Q Load
4	Loadcenter	c
5	Liftheight telescopic mast	h3 Standard
6		h5 Freelit (option)
7	Tilt	Forwards α, backwards β
8	Forklength	L1
9	Forkarm width/thickness	b x s
10	Distance between forks	b1 max-min
11		L2 Length incl. forkshafts
12		B Width
13	Overall dimensions	h1 Closed height
14		h4 Extended height
15		h2 Height over cab
16	Turning radius	Wa
17	Loadarm	x from center of driveaxle
18	90°-stacking aisle	Aisl 4 with forklength acc. to pos. 8
19	Stabilityfactor	
20		Driving speed fwds/bwds
21	Drive- and lift-performance	Lifting speed with/without load
22		Lowering speed with/without load
23	Drawbar pull	In carriage loaded
24	Climbing performance	With/without load
25	Total weight	Standard equipped
26	Axle load	Driveaxle with/without load
27		Steer axle with/without load
28	Wheels, x = driven	Number driveaxle/steeraxle
29	Tyres	Dimension drivewheels
30		steerwheels
31	Wheelbase	y
32	Track	Driveaxle/steeraxle
33	Groundclearance	m2 under driveaxle
34		m1 mid forklift
35	Brakes	Mainbrake
36		Parkingbrake
37		Manufacturer type
38		Rating DIN 6270 B
39	Engine	Rpm DIN 6270 B
40		Torque
41		Stroke/no of cyl./cyl. volume
42		Fuel consumption (diesel)
43	Alternator	AC
44	Battery	Voltage/capacity
45		Type
46	Transmission	Type of gearshift
47		Number of gears fwds/rev.
48		Model
49	Working pressure	For attachments

Sveitruck AB	Sveitruck AB	Sveitruck AB	Sveitruck AB
12120-35	136120-35	15120-35	16120-38
12	13.6	15	16
1.200	1.200	1.200	1.200
4.000	4.000	4.000	4.000
2.000	2.000	2.000	2.000
6/10	6/10	6/10	6/10
2.400	2.400	2.400	2.400
200x100	200x100	200x100	250x100
2.340-620	2.340-620	2.340-620	2.340-720
5.135	5.135	5.135	5.435
2.480	2.480	2.480	2.480
3.650	3.650	3.650	3.650
5.650	5.650	5.650	5.650
2.915	2.915	2.915	2.915
5.000	5.000	5.000	5.300
2.110	2.110	2.110	2.110
8.510	8.510	8.510	8.810
1.33	1.33	1.33	1.33
30/30	30/30	30/30	30/30
0.30/0.35	0.30/0.35	0.30/0.35	0.30/0.35
0.45/0.40	0.45/0.40	0.45/0.40	0.45/0.40
9.700	9.700	9.700	9.700
30/30	30/30	30/30	30/30
18.800	20.100	21.200	21.000
28.400/9.200	31.000/9.200	33.250/9.200	34.100/9.200
2.400/9.600	2.700/10.900	2.950/12.000	2.900/11.800
4x/2	4x/2	4x/2	4x/2
12.00x20"	12.00x20"	12.00x20"	12.00x20"
12.00x20"	12.00x20"	12.00x20"	12.00x20"
3.500	3.500	3.500	3.800
1.820/1.910	1.820/1.910	1.820/1.910	1.820/1.910
225	225	225	225
315	315	315	315
Air	Air	Air	Air
Air	Air	Air	Air
Volvo TD 61 A	Volvo TD 61 A	Volvo TD 61 A	Volvo TD 61 A
144	144	144	144
2.500	2.500	2.500	2.500
568/1.800	568/1.800	568/1.800	568/1.800
4/6/5.480	4/6/5.480	4/6/5.480	4/6/5.480
10	10	10	10
1.540	1.540	1.540	1.540
24/145	24/145	24/145	24/145
Converter	Converter	Converter	Converter
Mechanic	Mechanic	Mechanic	Mechanic
3/3	3/3	3/3	3/3
Clark 28000	Clark 28000	Clark 28000	Clark 28000
14.000	15.000	16.500	17.500



12-16

16-20 HS

18-30

32-50

TMF

Liftmasts · Dimensions
Load diagrams

16-20 HS

Svetruck forklifts 16-20 t, Highstackers

Full visibility rigid upright with superior visibility in all working positions.

Lift cylinders, lift chains and hydraulic hoses mounted for optimum visibility.

Comfortable cab with excellent all round visibility.

Turbocharged 144 kW Volvo diesel engine. Clark powershift transmission. 3 gears forward and reverse.

24 volt system with 145 Ah batteries connected in series.

Headlights with dimmer control and direction indicators.

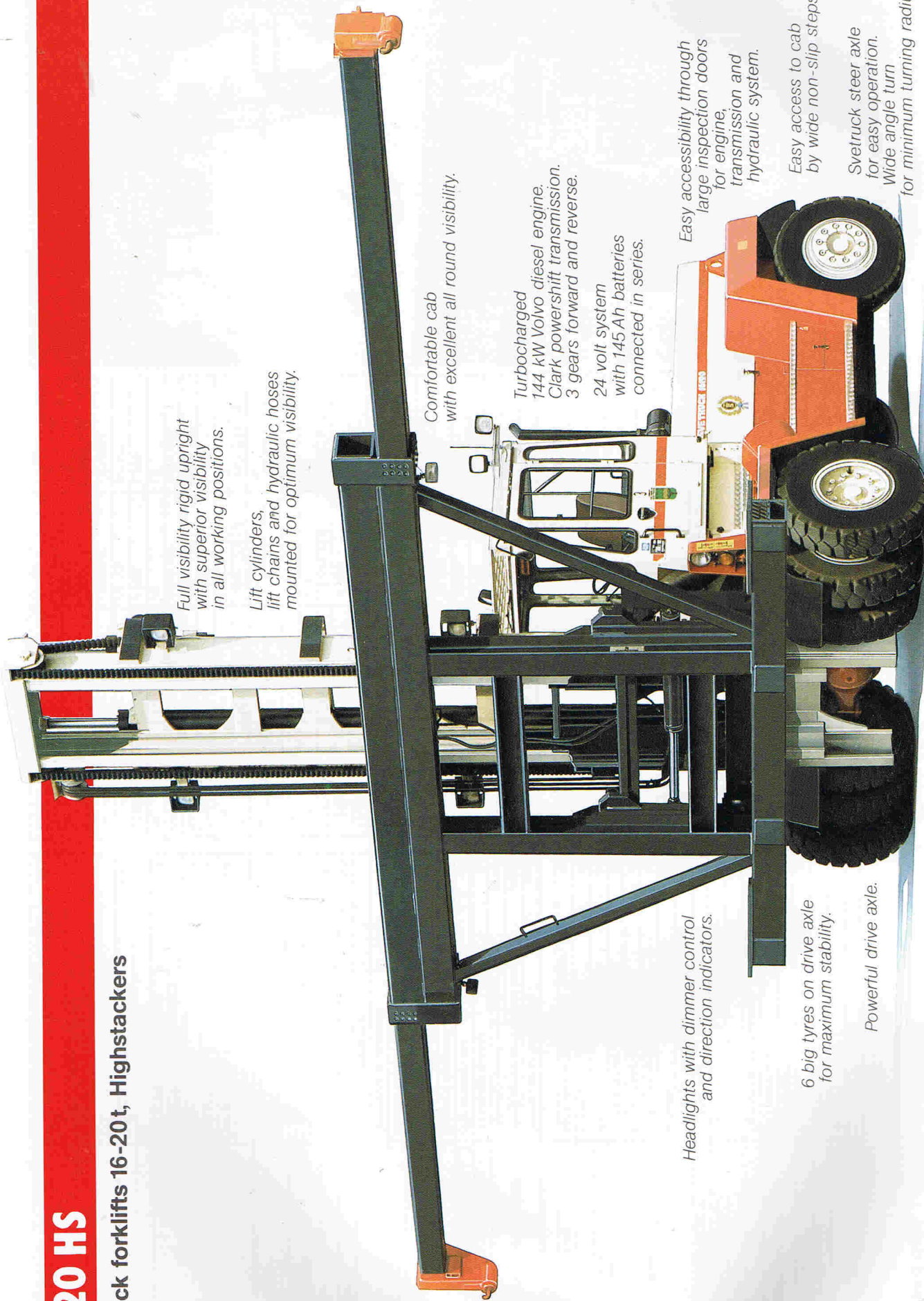
Easy accessibility through large inspection doors for engine, transmission and hydraulic system.

Easy access to cab by wide non-slip steps.

Svetruck steer axle for easy operation. Wide angle turn for minimum turning radius.

6 big tyres on drive axle for maximum stability.

Powerful drive axle.



Facts and data

16120-38/8

20120-42/8

1	Manufacturer	
2	Type	Model
3	Liftcapacity	Q Load
4	Loadcenter	C
5	Liftheight telescopic mast	h3 Standard h5 Freelift (option)
6	Tilt	Forwards α, backwards β
8	Forklength	L1
9	Forkarm width/thickness	b x s
10	Distance between forks	b1 max-min L2 Length incl. forkshafts
11		B Width
12	Overall dimensions	h1 Closed height h4 Extended height h2 Height over cab
13		Wa
14	Turning radius	x from center of driveaxle
15	Loadarm	A&L 4 with forklength acc. to pos. 8
16	Stabilityfactor	
20	Drive- and lift-performance	Driving speed f/wds/bwds Lifting speed with/without load Lowering speed with/without load
21		m/sec m/sec
22	Drawbar pull	In carriage loaded
23	Climbing performance	With/without load
24		%
25	Total weight	Standard equipped
26	Axle load	Driveaxle with/without load Steer axle with/without load
27		kg kg
28	Wheels, x = driven	Number driveaxle + support wheels/steeraxle
29		
30	Tires	Dimension drivewheels + support wheels steerwheels
31	Wheelbase	y
32	Track	Driveaxle/steeraxle
33	Groundclearance	m2 under driveaxle m1 mid forklift
34		mm mm
35	Brakes	Mainbrake Parkingbrake
36		
37		Manufacturer type
38		Rating DIN 6270 B
39	Engine	Rpm DIN 6270 B
40		Nm-r/min
41		Stroke/no of cyl./cyl. volume
42		cm3
43	Alternator	Fuel consumption (diesel)
44	Battery	l/h AC
45		Voltage/capacity Type
46	Transmission	W V/Ah
47		Type of gearshift
48		Number of gears f/wds/rev.
49	Working pressure	Model For attachments
		kPa

Svertruck AB	Svertruck AB
16120-38/8	20120-42/8
16	20
1.200	1.200
8.900/11.600	11.500
2/4	3/3
2.400	2.500
250x100	250x110
2.340-720	2.690-790
5.435	6.135
3.380	4.000
6.200/7.670	7.970
10.650/13.470	13.720
3.165/3.365	3.635
5.300	5.900
2.110	2.285
8.810	9.685
1.33	1.33
30/30	30/30
0.30/0.35	0.30/0.35
0.45/0.40	0.35/0.35
9.700	17.000
30/30	30/30
29.800	38.100
42.900/18.000	54.500/23.600
2.900/1.800	3.600/1.4.500
4x + 2/2	4x + 2/2
12.00x20" + 12.00x20"	14.00x24" + 12.00x20"
12.00x20"	14.00x24"
3.800	4.200
1.820/1.910	2.230/2.220
225	300
315	400
Air	Air
Air	Air
Volvo TD 61 A	Volvo TD 71 A
144	167
2.500	2.400
568/1.800	767/1.500
4/6/5.480	4/6/6.730
10*	12
1.540	1.540
24/145	24/145
Converter	Converter
Mechanic	Mechanic
3/3	4/4
Clark 28000	Clark 32000
17.500	15.000



16-20 HS

18-30

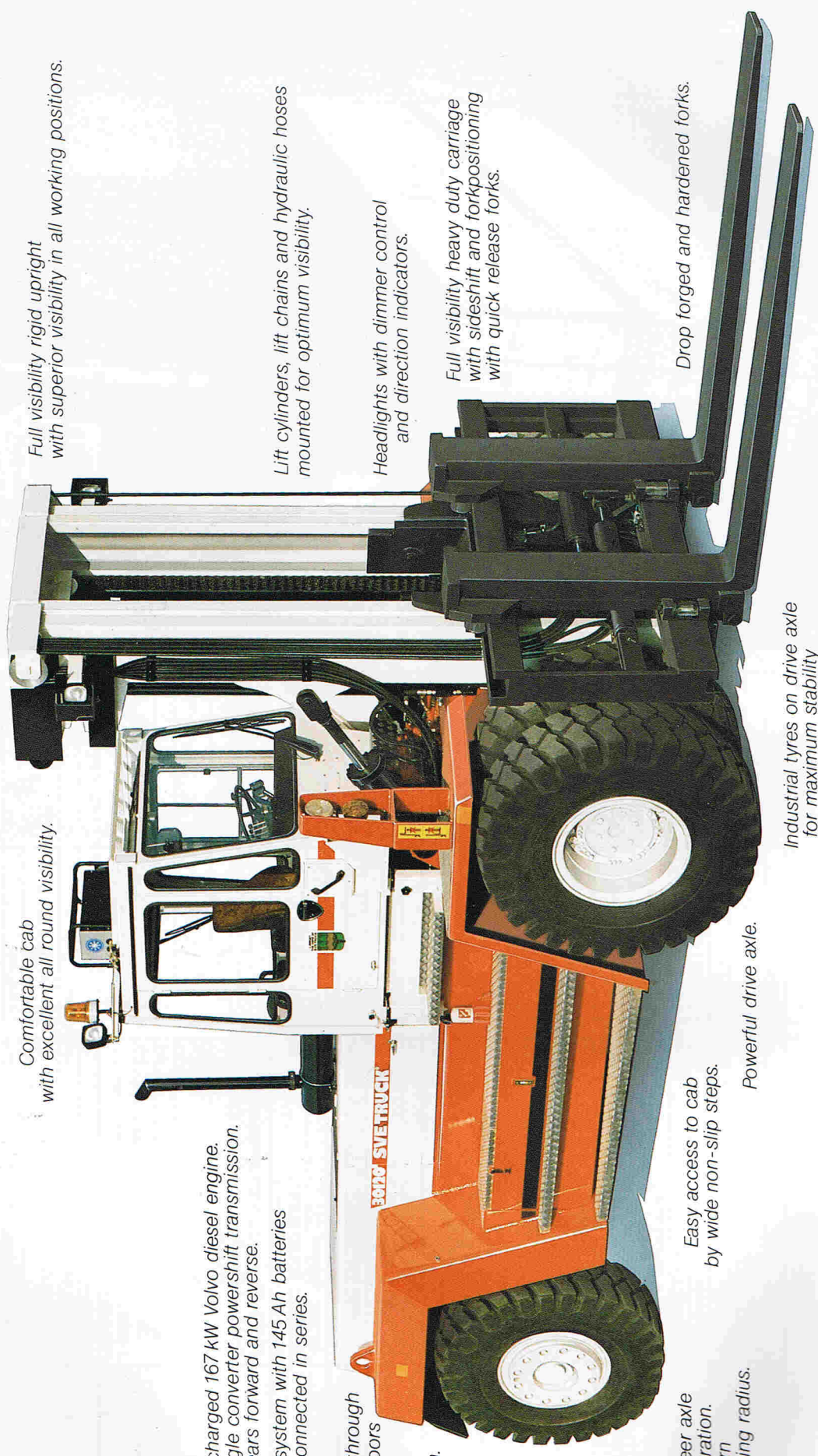
32-50

TMF

Liftmasts · Dimensions
Load diagrams

18-30

Svetruck forklifts 18-30t



Comfortable cab
with excellent all round visibility.

Full visibility rigid upright
with superior visibility in all working positions.

Turbocharged 167 kW Volvo diesel engine.
Clark single converter powershift transmission.
4 gears forward and reverse.

24 volt system with 145 Ah batteries
connected in series.

Easy accessibility through
large inspection doors
for engine,
transmission and
hydraulic system.

Lift cylinders, lift chains and hydraulic hoses
mounted for optimum visibility.

Headlights with dimmer control
and direction indicators.

Full visibility heavy duty carriage
with sideshift and forking
with quick release forks.

Svetruck steer axle
for easy operation.
Wide angle turn
for minimum turning radius.

Easy access to cab
by wide non-slip steps.

Powerful drive axle.

Industrial tyres on drive axle
for maximum stability
within minimum overall width.

Drop forged and hardened forks.

Facts and data

18120-36

20120-42

22120-42

236120-42

25120-42

25120-45

28120-46

30120-46

1	Manufacturer	Svetruck AB	Svetruck AB	Svetruck AB	Svetruck AB	Svetruck AB	Svetruck AB	Svetruck AB	Svetruck AB	Svetruck AB
2	Type	18120-36	20120-42	22120-42	236120-42	25120-42	25120-45	28120-46	30120-46	SvetruckAB
3	Liftcapacity	18	20	22	23.6	25	25	28	30	
4	Loadcenter	1.200	1.200	1.200	1.200	1.200	1.200	1.200	1.200	
5	Liftheight telescopic mast	4.000	4.000	4.000	4.000	4.000	4.000	4.000	4.000	
6	h5 Freelift (option)	2.000	2.000	2.000	2.000	2.000	2.000	2.000	2.000	
7	Forwards α, backwards β	5/9	5/9	5/9	5/9	5/9	5/9	5/9	5/9	
8	Forklength	2.500	2.500	2.500	2.500	2.500	2.500	2.500	2.500	
9	Forkarm width/thickness	250x100	250x110	250x110	250x110	250x110	250x110	275x110	275x110	
10	Distance between forks	2.690-790	2.690-790	2.690-790	2.690-790	2.690-790	2.690-790	2.690-810	2.690-810	
11	L2 Length incl. forkshafts	5.560	6.145	6.145	6.145	6.145	6.145	6.650	6.650	
12	B Width	3.080	3.080	3.080	3.080	3.080	3.080	3.380	3.380	
13	Overall dimensions	3.820	3.930	3.930	3.930	3.930	3.930	4.080	4.080	
14	h1 Closed height	5.820	5.930	5.930	5.930	5.930	5.930	6.080	6.080	
15	h4 Extended height	3.135	3.435★	3.435★	3.435★	3.435★	3.435★	3.500★	3.500★	
16	Turning radius	5.650	5.900	5.900	5.900	5.900	6.200	6.550	6.550	
17	Loadarm	2.260	2.295	2.295	2.295	2.295	2.295	2.325	2.325	
18	90°-stacking aisle	9.410	9.695	9.695	9.695	9.695	9.695	10.375	10.375	
19	Stabilityfactor	1.33	1.33	1.33	1.33	1.33	1.33	1.33	1.33	
20	Driving speed fwd/s/bwds	30/30	30/30	30/30	30/30	30/30	30/30	30/30	30/30	
21	Drive- and lift-performance	0.30/0.35	0.30/0.35	0.30/0.35	0.30/0.35	0.30/0.35	0.30/0.35	0.25/0.30	0.25/0.30	
22	Lowering speed with/without load	0.35/0.35	0.35/0.35	0.35/0.35	0.35/0.35	0.35/0.35	0.35/0.35	0.30/0.30	0.30/0.30	
23	Drawbar pull	17.000	17.000	17.000	17.000	17.000	17.000	20.000	20.000	
24	Climbing performance	30/30	30/30	30/30	30/30	30/30	30/30	30/30	30/30	
25	Total weight	28.300	28.450	29.900	32.600	34.300	33.100	36.800	38.850	
26	Axle load	42.650/13.500	44.900/14.000	47.950/14.000	51.900/15.500	54.800/16.200	53.900/16.200	60.150/18.000	63.850/18.700	
27	Wheels, x = driven	3.650/14.800	3.550/14.450	3.950/15.900	4.300/17.100	4.500/18.100	4.200/16.900	4.650/18.800	5.000/20.150	
28	Number driveaxle/steeraxle	4x/2	4x/2	4x/2	4x/2	4x/2	4x/2	4x/2	4x/2	
29	Dimension drivewheels	14.00x24"	14.00x24"	14.00x24"	14.00x24"	14.00x24"	14.00x24"	16.00x25"	16.00x25"	
30	steerwheels	14.00x24"	14.00x24"	14.00x24"	14.00x24"	14.00x24"	14.00x24"	16.00x25"	16.00x25"	
31	Wheel/base	3.650	4.200	4.200	4.200	4.200	4.500	4.600	4.600	
32	Track	2.230/2.220	2.230/2.220	2.230/2.220	2.230/2.220	2.230/2.220	2.230/2.220	2.410/2.170	2.410/2.170	
33	Groundclearance	300	300	300	300	300	300	300	300	
34	m1 mid forklift	400	400	400	400	400	400	465	465	
35	Brakes	Air	Air	Air	Air	Air	Air	Air	Air	
36	Parkingbrake	Air	Air	Air	Air	Air	Air	Air	Air	
37	Manufacturer type	Volvo TD 71 A	Volvo TD 71 A	Volvo TD 71 A	Volvo TD 71 A	Volvo TD 71 A	Volvo TD 71 A	Volvo TD 71 A	Volvo TD 71 A	
38	Rating DIN 6270 B	167	167	167	167	167	167	167	167	
39	Engine	2.400	2.400	2.400	2.400	2.400	2.400	2.400	2.400	
40	Rpm DIN 6270 B	767/1.500	767/1.500	767/1.500	767/1.500	767/1.500	767/1.500	767/1.500	767/1.500	
41	Torque	4/6/6.730	4/6/6.730	4/6/6.730	4/6/6.730	4/6/6.730	4/6/6.730	4/6/6.730	4/6/6.730	
42	Stroke/no of cyl./cyl. volume	12	12	12	12	12	12	12	12	
43	Fuel consumption (diesel)	1.540	1.540	1.540	1.540	1.540	1.540	1.540	1.540	
44	AC	24/145	24/145	24/145	24/145	24/145	24/145	24/145	24/145	
45	Voltage/capacity	Converter	Converter	Converter	Converter	Converter	Converter	Converter	Converter	
46	Type	Mechanic	Mechanic	Mechanic	Mechanic	Mechanic	Mechanic	Mechanic	Mechanic	
47	Type of gearshift	4/4	4/4	4/4	4/4	4/4	4/4	4/4	4/4	
48	Number of gears fwd/s/rev.	Clark 32000	Clark 32000	Clark 32000	Clark 32000	Clark 32000	Clark 32000	Clark 32000	Clark 32000	
49	Working pressure	16.000	15.000	16.000	17.000	17.000	17.000	16.000	17.000	

★ Elevated cab 300 mm standard.

18-30

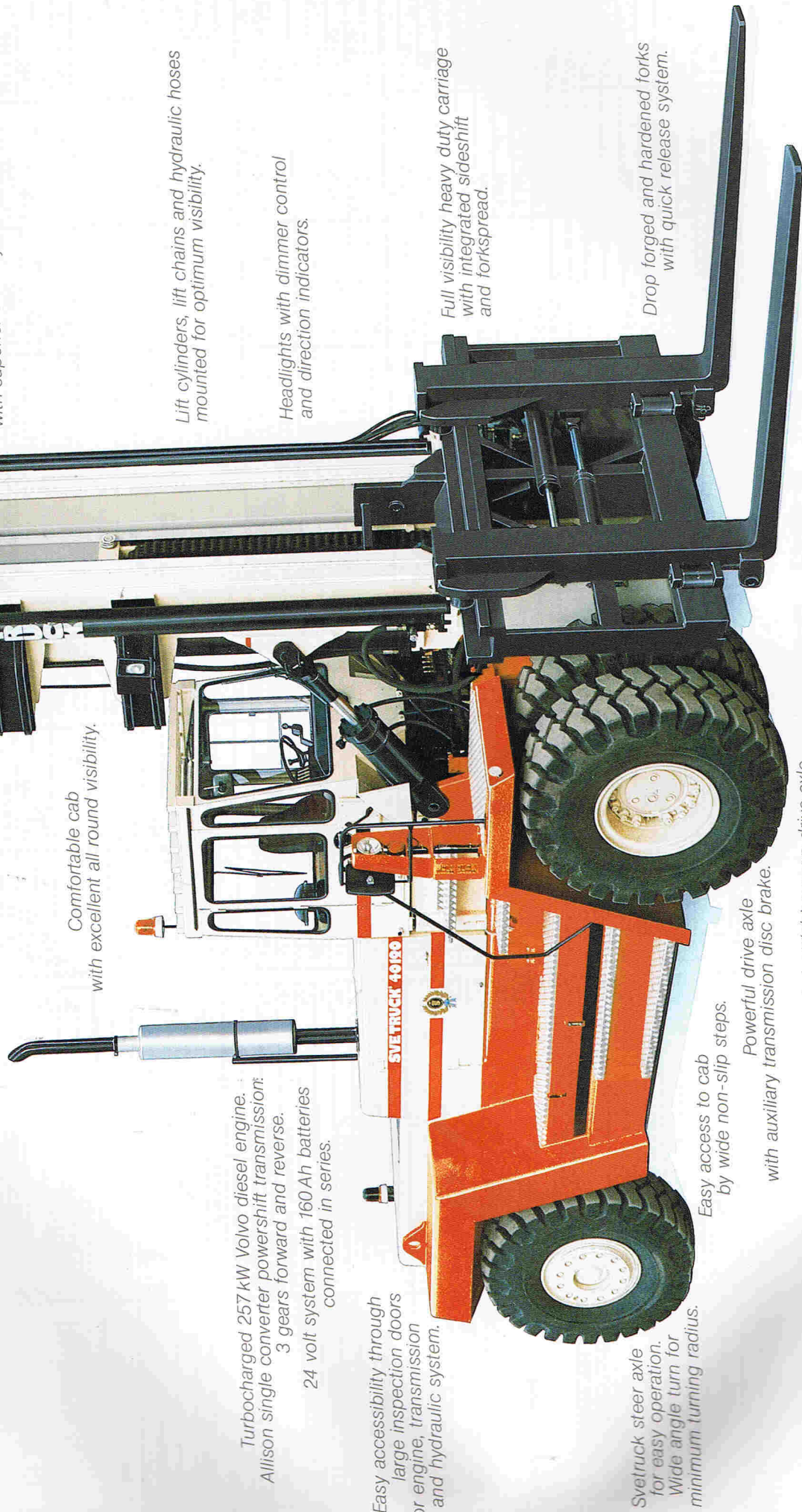
32-50

TMF

Liftmasts · Dimensions
Load diagrams

32-50

Svetruck forklifts 32-50t



Full visibility rigid upright with superior visibility in all working positions.

Comfortable cab with excellent all round visibility.

Lift cylinders, lift chains and hydraulic hoses mounted for optimum visibility.

Headlights with dimmer control and direction indicators.

Full visibility heavy duty carriage with integrated sideshift and forkspread.

Drop forged and hardened forks with quick release system.

Turbocharged 257 kW Volvo diesel engine.
Allison single converter powershift transmission: 3 gears forward and reverse.
24 volt system with 160 Ah batteries connected in series.

Easy accessibility through large inspection doors for engine, transmission and hydraulic system.

Svetruck steer axle for easy operation. Wide angle turn for minimum turning radius.

Easy access to cab by wide non-slip steps. Powerful drive axle with auxiliary transmission disc brake.

Industrial tyres on drive axle for maximum stability within minimum overall width.

Facts and data

32120-47 37120-52 37120-57 42120-52 42120-57 45120-57 50120-57

	Svetruck AB	37120-47	37120-52	37120-57	42120-52	42120-57	45120-57	Svetruck AB	50120-57
1 Manufacturer	Svetruck AB	Svetruck AB	Svetruck AB	Svetruck AB	Svetruck AB	Svetruck AB	Svetruck AB	Svetruck AB	Svetruck AB
2 Type	32	37	37	37	42	42	45	45	45
3 Liftcapacity	1.200	1.200	1.200	1.200	1.200	1.200	1.200	1.200	1.500
4 Loadcenter	4.000	4.000	4.000	4.000	4.000	4.000	4.000	4.000	4.000
5 Liftheight telescopic mast	2.000	2.000	2.000	2.000	2.000	2.000	2.000	2.000	2.000
6 h5 Freelift (option)	5/10	5/10	5/10	5/10	5/10	5/10	5/10	5/10	5/10
7 Forward α, backwards β	2.500	2.500	2.500	2.500	2.500	2.500	2.500	2.500	2.500
8 Forklength	275x110	300x140	300x140	300x140	300x140	300x140	300x140	300x140	300x140
9 Forkarm width/thickness	2.920-870	2.980-930	2.980-930	2.980-930	2.980-930	2.980-930	2.980-930	2.980-930	2.980-930
10 Distance between forks	6.830	7.590	7.590	8.040	8.040	8.040	8.040	8.040	8.040
11 L2 Length incl. forkshafts	3.560	3.690	3.690	3.690	3.690	3.690	3.690	3.690	4.150
12 B Width	4.350	4.670	4.670	4.670	4.670	4.670	4.670	4.670	4.670
13 Overall dimensions	6.350	6.670	6.670	6.670	6.670	6.670	6.670	6.670	6.670
14 h1 Closed height	3.685	3.785	3.785	3.785	3.785	3.785	3.785	3.785	3.785
15 h4 Extended height	6.750	7.600	7.600	8.100	7.600	8.100	8.100	8.100	8.100
16 Turning radius	2.355	2.565	2.565	2.565	2.565	2.565	2.565	2.565	2.665
17 Loadarm	10.605	11.665	11.665	12.165	11.665	12.165	12.165	12.165	12.165
18 90°-stacking aisle	1.33	1.33	1.33	1.33	1.33	1.33	1.33	1.33	1.33
19 Stabilityfactor	27/27	27/27	27/27	27/27	27/27	27/27	27/27	27/27	27/27
20 Driving speed f/wds/bwds	0.25/0.37	0.25/0.30	0.25/0.30	0.25/0.30	0.25/0.30	0.25/0.30	0.25/0.30	0.25/0.30	0.25/0.30
21 Drive- and lift- performance	0.30/0.30	0.30/0.30	0.30/0.30	0.30/0.30	0.30/0.30	0.30/0.30	0.30/0.30	0.30/0.30	0.30/0.30
22 Lifting speed with/without load	25.000	29.000	29.000	29.000	29.000	29.000	29.000	29.000	29.000
23 Lowering speed with/without load	30/30	30/30	30/30	30/30	30/30	30/30	30/30	30/30	30/30
24 Drawbar pull	44.100	54.500	54.500	52.600	57.700	55.600	57.400	60.600	60.600
25 Climbing performance	68.950/23.000	85.500/30.500	85.500/30.500	84.100/30.500	93.000/30.500	91.350/30.500	95.700/30.500	98.100/30.500	98.100/30.500
26 Total weight	5.250/21.100	6.000/24.000	6.000/24.000	5.500/22.100	6.700/27.200	6.250/25.100	6.700/26.900	7.500/30.100	7.500/30.100
27 Axle load	4x/2	4x/2	4x/2	4x/2	4x/2	4x/2	4x/2	4x/2	4x/2
28 Wheels, x = driven	16.00x25"	18.00x25"	18.00x25"	18.00x25"	18.00x25"	18.00x25"	18.00x25"	18.00x25"	18.00x25"
29 Tyres	16.00x25"	18.00x25"	18.00x25"	18.00x25"	18.00x25"	18.00x25"	18.00x25"	18.00x25"	18.00x25"
30 Dimension drivewheels	4.750	5.250	5.250	5.700	5.250	5.700	5.700	5.700	5.700
31 Wheelbase	2.565/2.320	2.580/2.500	2.580/2.500	2.580/2.500	2.580/2.500	2.580/2.500	2.580/2.500	2.580/2.500	2.580/2.500
32 Track	300	300	300	300	300	300	300	300	300
33 Driveaxle/steeraxle	460	510	510	510	510	510	510	510	510
34 m2 under driveaxle	Air	Air	Air	Air	Air	Air	Air	Air	Air
35 m1 mid forklift	Air	Air	Air	Air	Air	Air	Air	Air	Air
36 Maimbrake	Air	Air	Air	Air	Air	Air	Air	Air	Air
37 Parkingbrake	Volvo TD 100 G	Volvo TD 121 G	Volvo TD 121 G	Volvo TD 121 G	Volvo TD 121 G	Volvo TD 121 G	Volvo TD 121 G	Volvo TD 121 G	Volvo TD 121 G
38 Manufacturer type	203	257	257	257	257	257	257	257	257
39 Rating DIN 6270 B	2.100	2.100	2.100	2.100	2.100	2.100	2.100	2.100	2.100
40 Rpm DIN 6270 B	1.090/1.400	1.345/1.400	1.345/1.400	1.345/1.400	1.345/1.400	1.345/1.400	1.345/1.400	1.345/1.400	1.345/1.400
41 Engine Torque	4/6/9.600	4/6/11.980	4/6/11.980	4/6/11.980	4/6/11.980	4/6/11.980	4/6/11.980	4/6/11.980	4/6/11.980
42 Stroke/No of cyl./cyl. volume	1 1/2	14	14	14	14	14	14	14	14
43 Fuel consumption (diesel) l/h	1.540	1.540	1.540	1.540	1.540	1.540	1.540	1.540	1.540
44 Alternator	24/160	24/160	24/160	24/160	24/160	24/160	24/160	24/160	24/160
45 Voltage/capacity	Converter	Converter	Converter	Converter	Converter	Converter	Converter	Converter	Converter
46 Type	Electr.-hydr.	Electr.-hydr.	Electr.-hydr.	Electr.-hydr.	Electr.-hydr.	Electr.-hydr.	Electr.-hydr.	Electr.-hydr.	Electr.-hydr.
47 Number of gears f/wds/rev.	3/3*	3/3	3/3	3/3	3/3	3/3	3/3	3/3	3/3
48 Model	Allison CRT 5633	Allison CRT 5633	Allison CRT 5633	Allison CRT 5633	Allison CRT 5633	Allison CRT 5633	Allison CRT 5633	Allison CRT 5633	Allison CRT 5633
49 Working pressure	17.000	16.000	16.000	16.000	17.000	17.000	17.000	17.000	17.500

TMF

Svetruck TMF 12/9 and 25/18

Facts TMF 25/18 in parentheses.

Turbocharged 203 kW (257 kW)
Volvo diesel engine.
Allison single converter powershift
transmission.
3 gears forward and reverse.
24 volt system with 160Ah batteries
connected in series.

Easy accessibility
through large inspection doors
for engine, transmission
and hydraulic system.

Rigid mounting of frame for
telescopic arm
in chassis.

Svetruck steer axle
for easy operation.
Wide angle turn for
minimum turning radius.

Easy access to cab
by wide non-slip steps.

Heavy duty wide drive axle with
hubreductions.

Headlights
with dimmer control
and direction indicators.

Heavy duty rotator.

Comfortable cab with
excellent all round visibility.

Very efficient hydraulic
system for
high lifting speed,
also facilitating use
of multiple
hydraulic functions.

Heavy duty telescopic liftarm with
long extension 2,8 m (2,3 m).

Rotator driven by two
hydraulic motors with
integrated brakes.

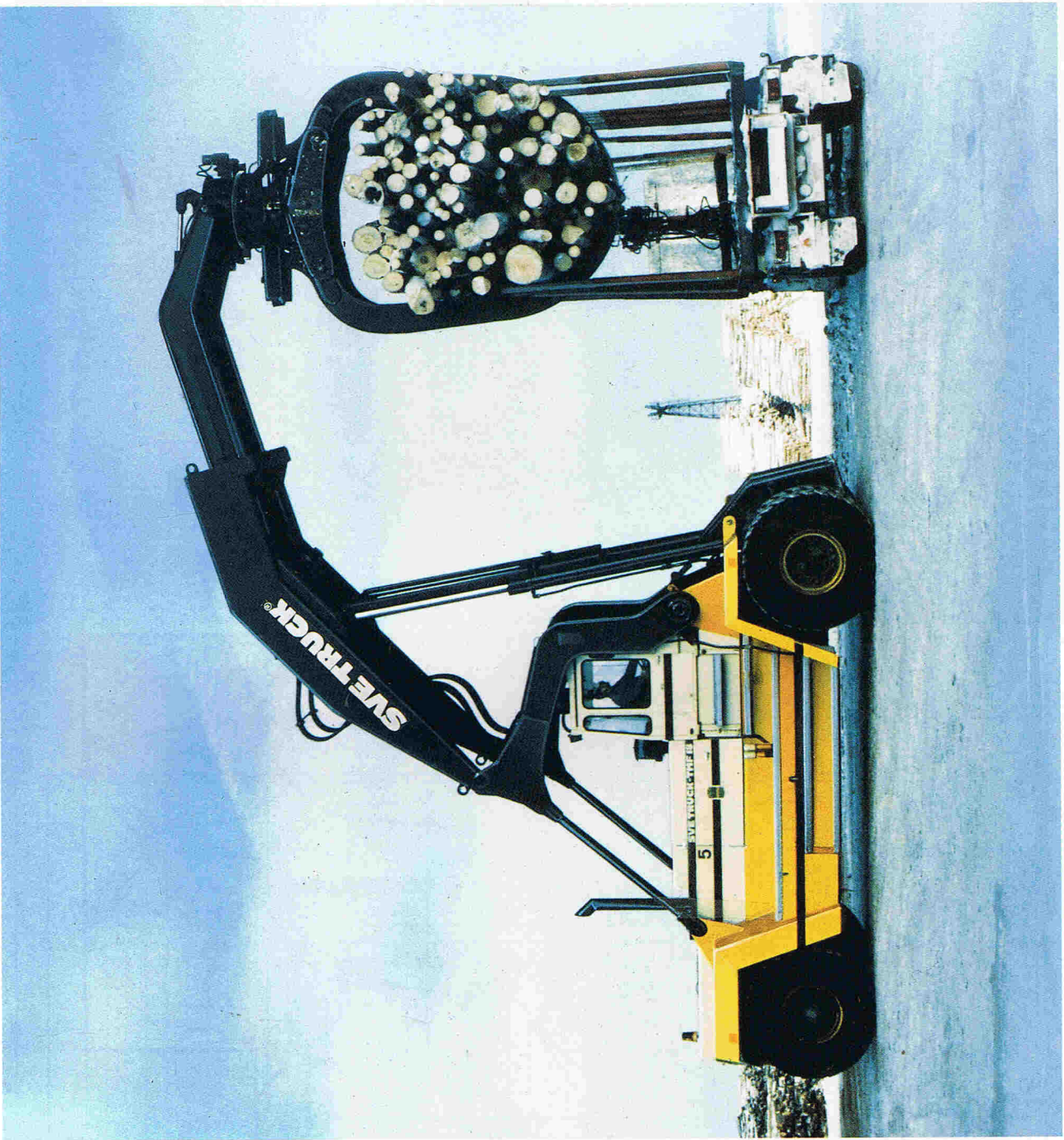
Grapple has endless
rotation, tilt and
very efficient
swing damping.

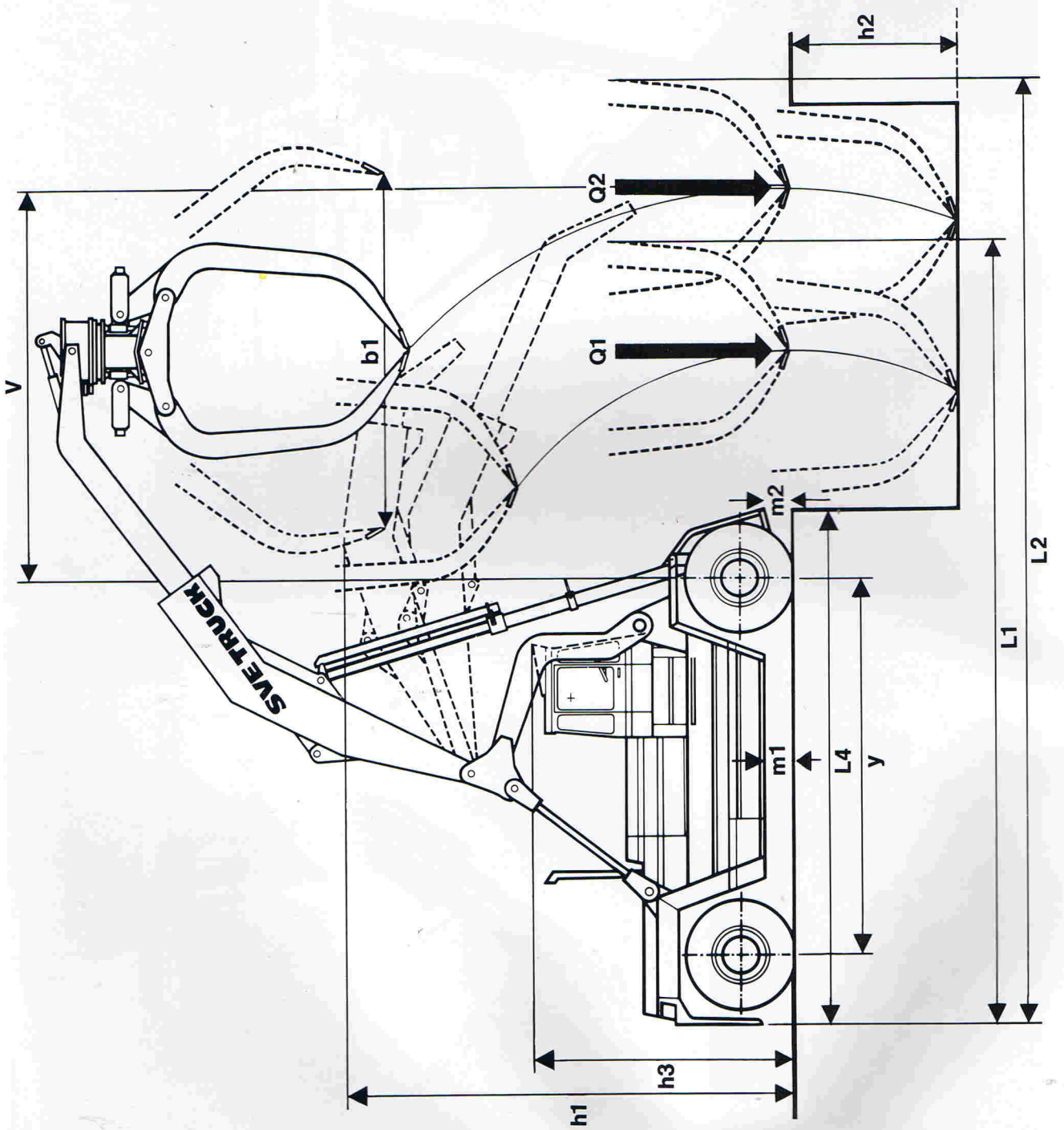
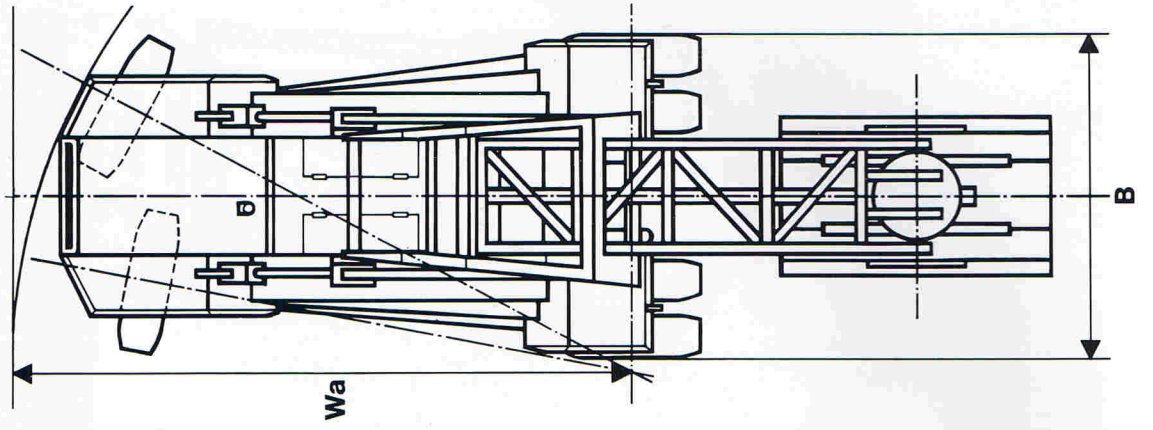
Two chains in
grapple to hold
logs.

Grapple 4 m² (7,5 m²) with
grapple geometry for
efficient filling.

Adjustable frontpusher.



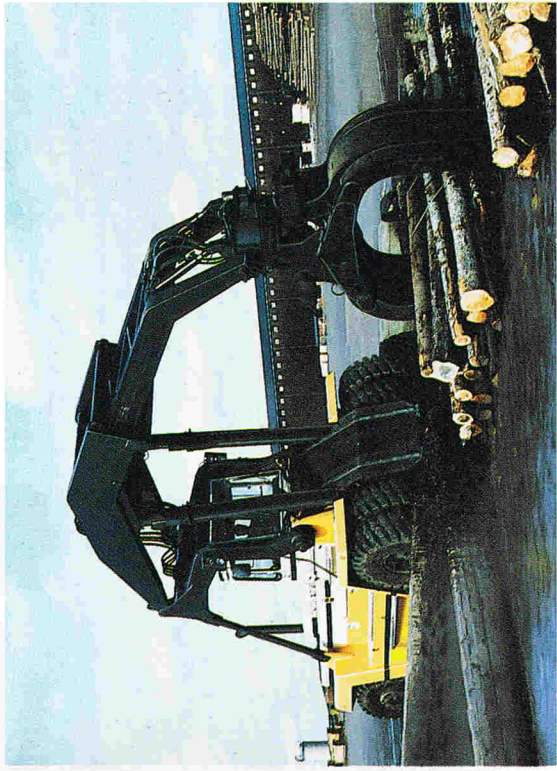
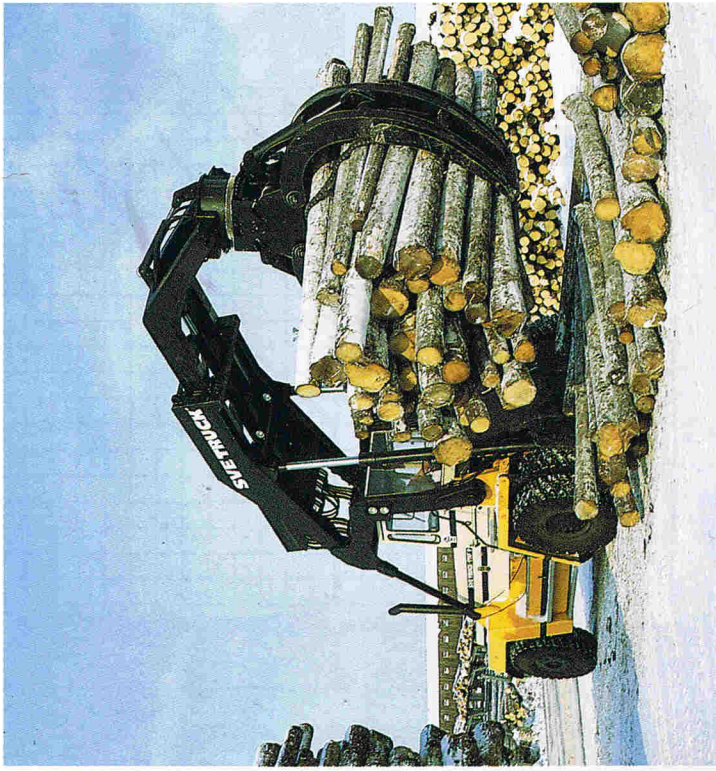




Facts and data

TMF 12/9 TMF 25/18

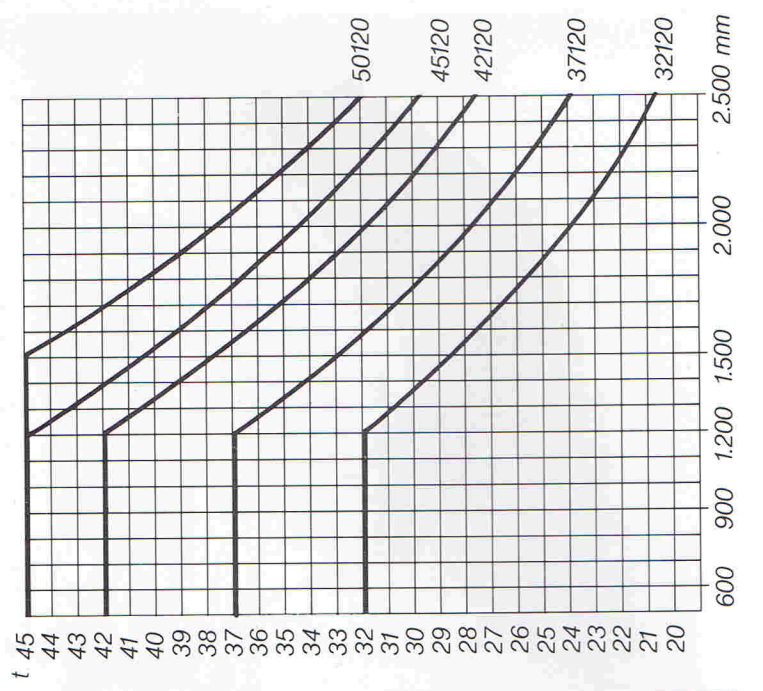
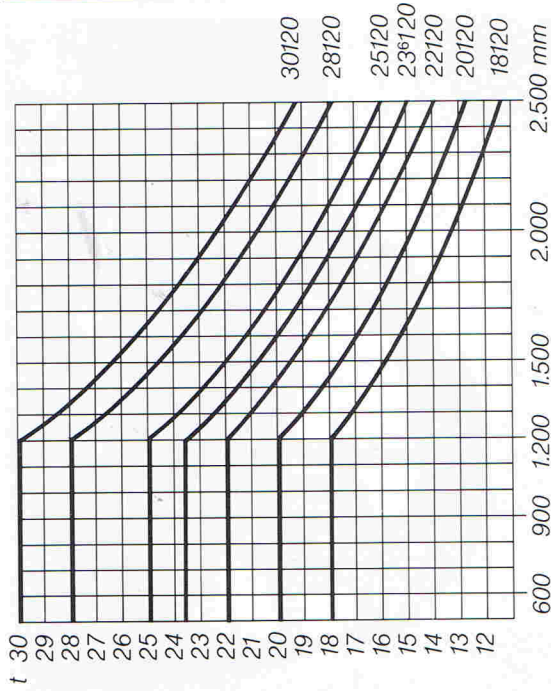
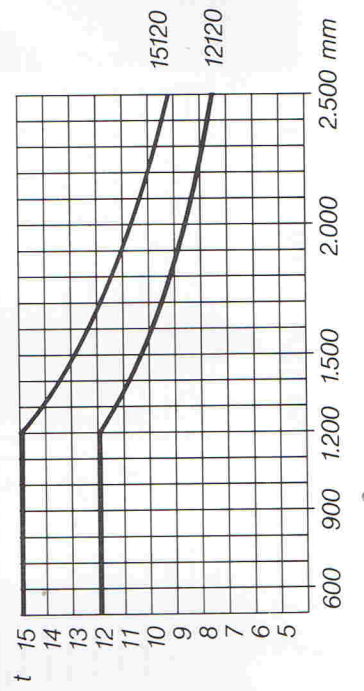
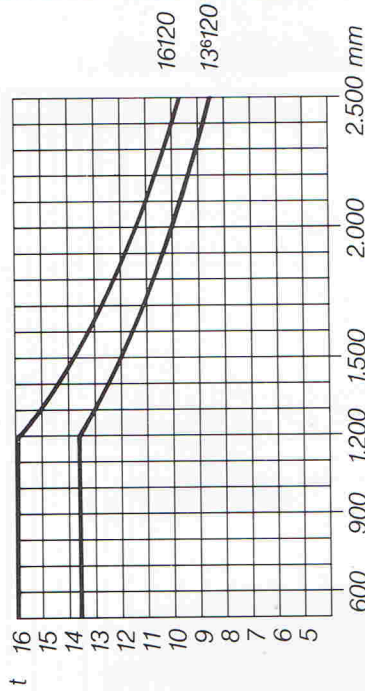
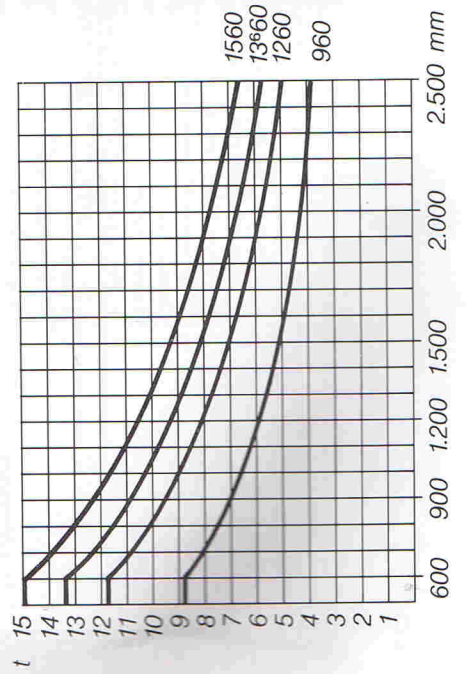
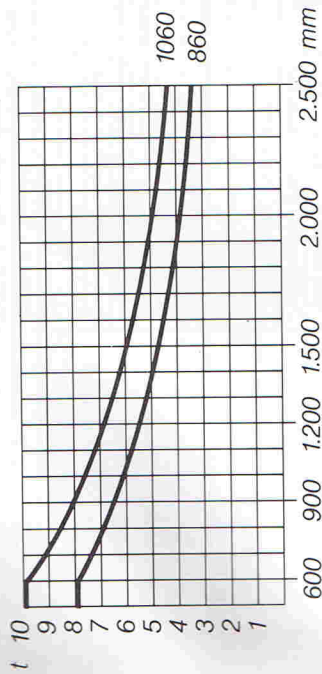
1	Manufacturer		Svettruck AB	Svettruck AB
2	Type	Model	TMF 12/9	TMF 25/18
3	Liftcapacity	Q1 Load, telescopic liftarm retracted Q2 Load, telescopic liftarm extended	12 9	25 18
4	Liftheight	Telescopic liftarm extended	8.500	7.500
5	Extension	V From center of drive wheels	6.900	6.000
6		Grapple area	4.10	7.50
7		Grapple rotation	360 endless	360 endless
8		b1 Max. distance between open grapplearms	3.885	5.225
9		L1/L2 Telescopic liftarm retracted/extended	10.500/13.300	11.000/13.300
10		B Width	3.560	4.150
11		h1 Lifting frame down	5.800	6.900
12		h2 Under ground	2.500	2.850
13		h3 Height over cab	3.900	4.000
14	Overall dimensions	Total height min - grapple retracted	5.350	6.900
15		Total length - grapple retracted	10.900	13.000
16		L4 Length incl. frontpusher	6.615	7.650
17	Frontpusher	Down/up	50/300	50/300
18	Turning radius	W ₀	7.500	9.100
19		Driving speed f/wds./b/wds	27/27	27/27
20		Lifting speed f/wds./b/wds	0.86/1.00	0.50/0.64
21		Telescopic liftarm retraction, with/without load	0.35/0.41	0.30/0.38
22	Drive- and lift-performance	Telescopic liftarm extension, with/without load	0.35/0.41	0.30/0.38
23		Grapplerotation right/turn/left/turn	6/6	6/6
24		In towing hock	24.500	27.000
25	Drawbar pull	With/without load	30/30	30/30
26	Climbing performance	Standard equipped	48.900	63.500
27	Total weight	Number driveaxle/steeraxle	4x/2	4x/2
28	Wheels, x = driven	Dimension drivewheels	16.00 x 25"	18.00 x 25"
29		steerwheels	16.00 x 25"	18.00 x 25"
30	Tyres	y	4.750	5.700
31	Wheelbase	Driveaxle/steeraxle	2.565/2.320	3.000/2.500
32	Track	m2 under frontpusher, up	300	300
33	Groundclearance	m1 mid machine	460	570
34		Mainbrake	Air	Air
35		Parkingbrake	Air	Air
36		Manufacturer type	Volvo TD 100 G	Volvo TD 121 G
37		Rating DIN 5270 B	203	257
38		Rpm DIN 6270 B	2.100	2.100
39	Engine	Torque	1.090/1.400	1.345/1.400
40		Stroke/no of cyl./cyl. volume	4/6/19.600	4/6/11.980
41		Fuel consumption (diesel)	12	14
42		AC	1.540	1.540
43	Alternator	Voltage/capacity	24/160	24/160
44	Battery	Type	Converter	Converter
45		Type of gearshift	Electr.-hydr.	Electr.-hydr.
46	Transmission	Number of gears f/wds./rev.	3/3	3/3
47		Model	Allison CRT 5633	Allison CRT 7033
48		Working pressure	15.000 - 17.000	17.000 - 19.000
49				



TMF

Liftmasts · Dimensions
Load diagrams

Load diagrams Svetruck 8-50t



8-9 t

Lift height	Closed height Standard-mast	Closed height Freelift-mast
h3/mm	h1/mm	h1/mm
2.700	2.875	2.830
3.000	3.025	2.980
3.500	3.275	3.230
4.000*	3.525*	3.480*
4.500	3.775	3.730
5.000*	4.025*	3.980*
5.500*	4.275*	4.230*
6.000*	4.525*	4.480*
6.500	4.775	4.730
7.000	5.025	4.980

10-13,6 t

Lift height	Closed height Standard-mast	Closed height Freelift-mast	Closed height Triplex-mast
h3/mm	h1/mm	h1/mm	h1/mm
2.850	2.900	2.930	
3.000	2.975	3.005	
3.500	3.225	3.255	
4.000*	3.475*	3.505*	
4.060*	3.505	3.535	2.850*
4.500	3.725	3.755	3.025
5.000*	3.975*	4.005*	3.225
5.500*	4.225*	4.255*	3.425
6.000*	4.475*	4.505*	3.625
6.500*	4.725*	4.755*	3.825
7.000	4.975	5.005	4.025

12-16 t

Lift height	Closed height Standard-mast	Closed height Freelift-mast	Closed height Triplex-mast
h3/mm	h1/mm	h1/mm	h1/mm
2.550	2.925	2.955	
3.000	3.150	3.180	
3.500	3.400	3.430	
3.600*	3.450	3.480	2.850*
4.000*	3.650*	3.680*	3.010
4.500	3.900	3.930	3.210
5.000*	4.150*	4.180*	3.410
5.500*	4.400*	4.430*	3.610
6.000*	4.650*	4.680*	3.810
6.500*	4.900*	4.930*	4.010
7.000	5.150	5.180	4.210

16 - 20 t, Highstackers

Lift height	Closed height Standard-mast	Closed height Standard-mast
h3/mm	h1/mm	h1/mm
8.600*	6.050*	
8.900*	6.200*	
11.500*		7.970*
11.600*	7.670*	

18 t

Lift height	Closed height Standard-mast
h3/mm	h1/mm
3.000	3.320
3.500	3.570
4.000*	3.820*
4.500	4.070
5.000	4.320
5.500	4.570
6.000*	4.820*
6.500*	5.070*
7.000	5.320

20-25 t

Lift height	Closed height Standard-mast	Closed height Freelift-mast	Closed height Triplex-mast
h3/mm	h1/mm	h1/mm	h1/mm
3.000	3.430	3.435	
3.500	3.680	3.685	
3.600*	3.730	3.735	3.100*
4.000*	3.930*	3.935*	3.260
4.500	4.180	4.185	3.460
5.000	4.430	4.435	3.660
5.500	4.680	4.685	3.860
6.000*	4.930*	4.935*	4.060
6.500*	5.180*	5.185*	4.260

28-30 t

Lift height	Closed height Standard-mast	Closed height Freelift-mast	Closed height Triplex-mast
h3/mm	h1/mm	h1/mm	h1/mm
3.000	3.580	3.585	
3.500	3.830	3.835	
4.000*	4.080*	4.085*	3.360
4.500	4.330	4.335	3.560
5.000	4.580	4.585	3.760
5.500	4.830	4.835	3.960
6.000*	5.080*	5.085*	4.160
6.500*	5.330*	5.335*	4.360

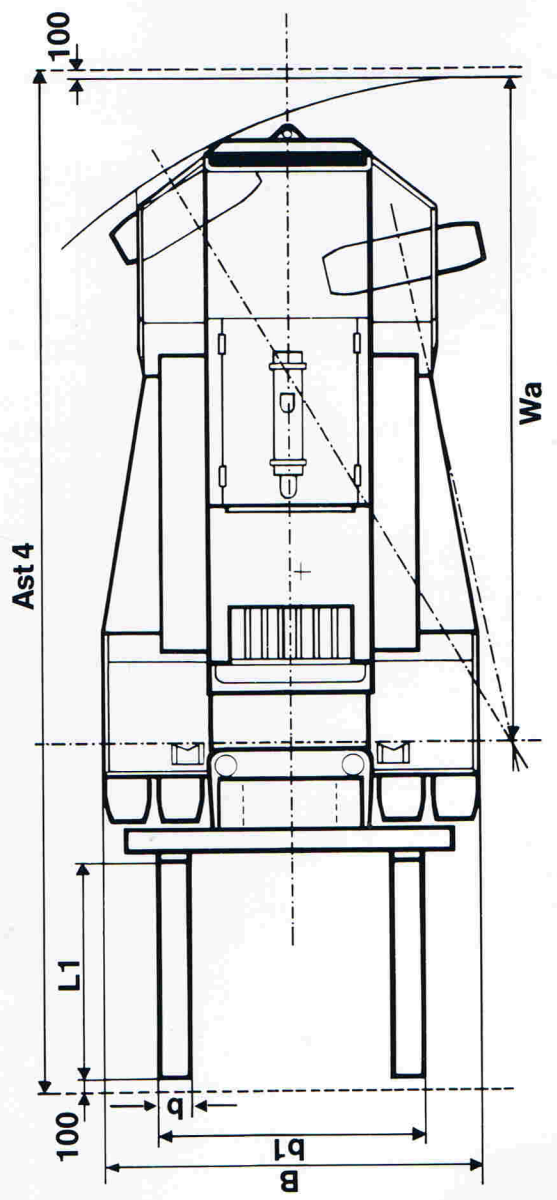
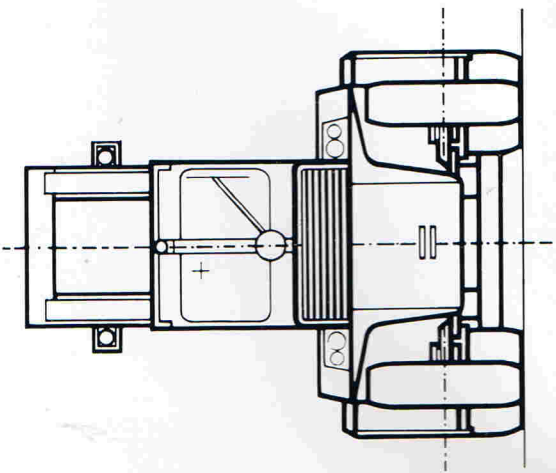
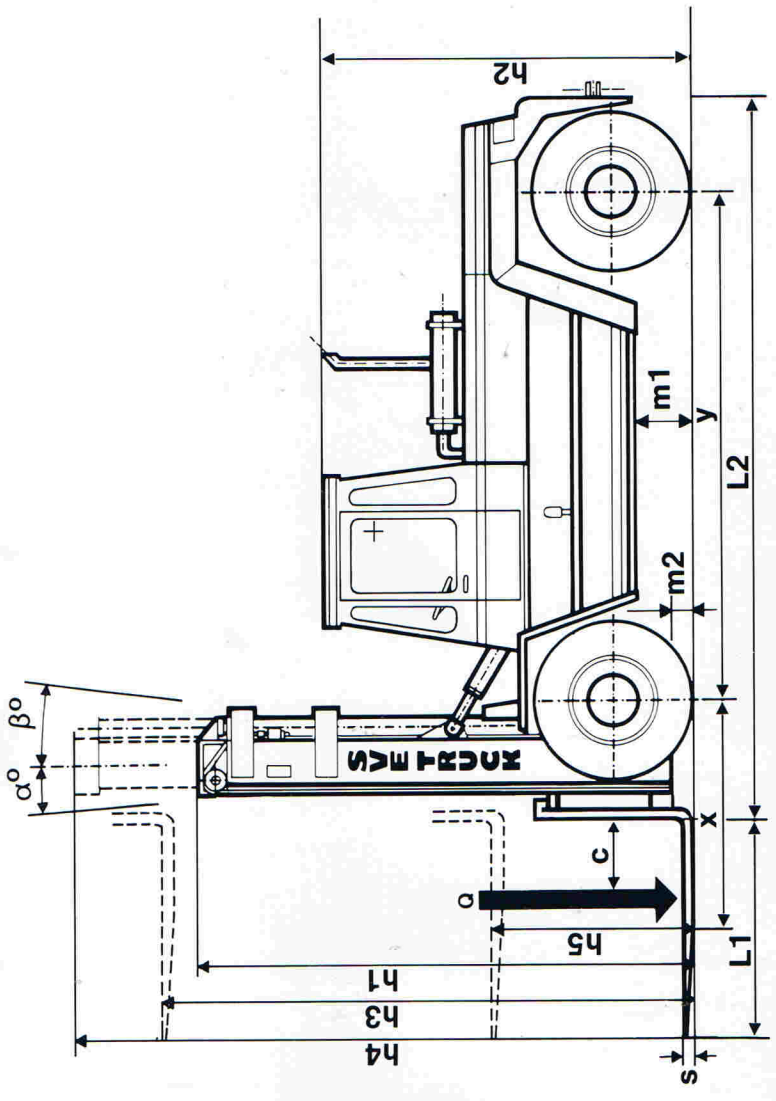
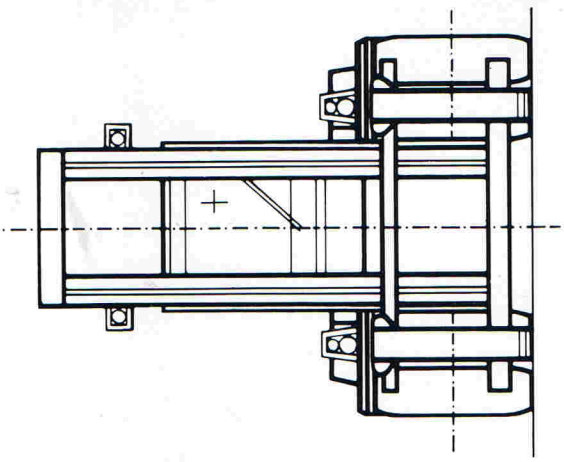
32 t

Lift height	Closed height Standard-mast	Closed height Freelift-mast	Closed height Triplex-mast
h3/mm	h1/mm	h1/mm	h1/mm
3.000	3.850	3.870	
3.500	4.100	4.120	
4.000*	4.350*	4.370*	
4.500	4.600	4.620	
4.750			3.880
5.000	4.850	4.870	3.980
5.500	5.100	5.120	4.180
6.000	5.350	5.370	4.380
6.500*	5.600*	5.620*	4.580
7.000	5.850	5.870	4.780

37-50 t

Lift height	Closed height Standard-mast	Closed height Freelift-mast	Closed height Triplex-mast
h3/mm	h1/mm	h1/mm	h1/mm
4.000*	4.670*	4.620	
4.500	4.920	4.870	
4.875	5.110	5.060	3.950
5.000	5.170	5.120	4.000
5.500	5.420	5.370	4.200
6.000	5.670	5.620	4.400
6.500*	5.920*	5.870*	4.600*
7.000	6.170		
7.500*	6.420*		
8.000	6.670		
8.500	6.920		
9.000	7.170		
9.500*	7.420*		

* recommended standardmasts.
 Many other lift and closed heights available.
 Freelift standard half lift height (duplex).
 Specifications subject to change without notice.



SVETRUCK®

Forklifts 8-50 t
P.O.Box 321
S-34126 Ljungby
Tel. +46-372/86600
Telex 52184 svetruc s
Fax +46-372/82450

van EIJLE
MOBIEL INTERN TRANSPORT

Postbus 129 • 3130 AC Vlaardingen
Industrieweg 30 • 3133 EE Vlaardingen
Telefoon 010-4347522 • Fax 010-4349260