

8075

Wheel Loaders 0.7 - 0.95 m³



The elite among wheel loaders

The wheel loaders of the 80-series by Kramer set high standards in terms of technology, performance and comfort. Other plus points are versatility in use, optimal power to weight ratio and exceptional performance statistics.

- One-piece frame and all-wheel steering
- Hydraulic quick coupler system and parallel-controlled loading system
- Particularly spacious panoramic cab with the highest level of operator comfort
- Efficient drive and low operating costs
- Variety of options for a large range of uses

8075

Wheel Loaders 0.7 - 0.95 m³

Technical specifications

Operating data

Bucket capacity (standard bucket)	0,75 m ³
Operating weight	4.300 kg

Engine / Motor

Engine / Motor manufacturer	Yanmar
Engine performance	35 kW

Power transmission

Travel speed (standard)	20 km/h
Differential lock	Self-locking differential
Standard tires	12.5-18

Steering and operating hydraulics

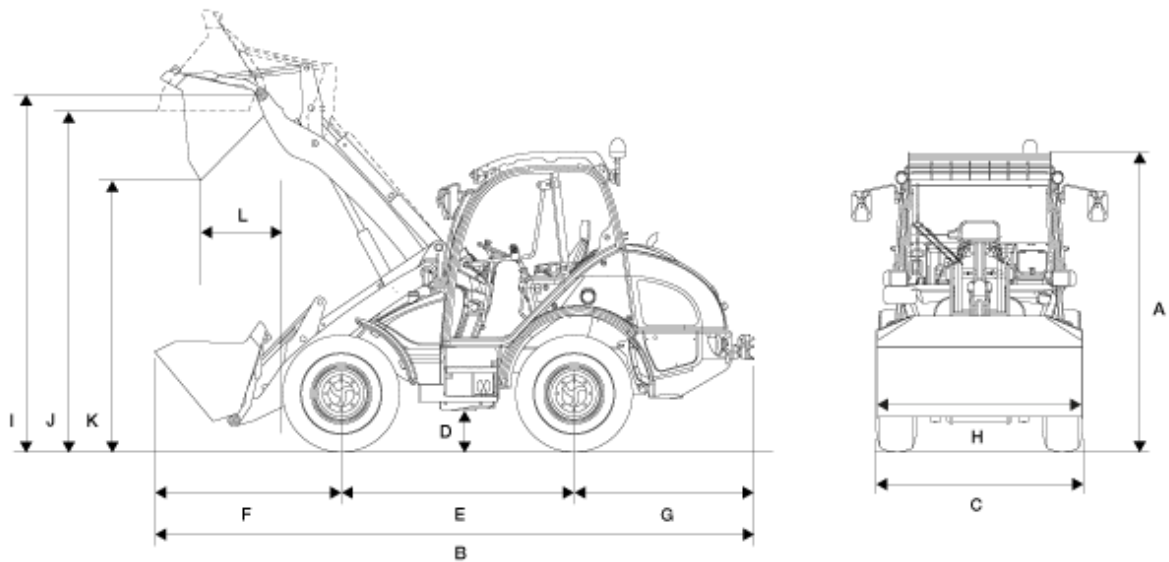
Flow rate (pump)	52 l/min
Pressure (maximum)	240 bar

Kinematics

Tipping load (with bucket)	3.500 kg
Payload (S=1.25)	2.000 kg

Additional technical data is available in the detailed brochure in the informational material section

Dimensions



A	Height	2.450 mm
B	Length	5.080 mm
C	Width	1.750 mm
D	Ground clearance	300 mm
E	Wheelbase	2.020 mm
F	Center of front axle to tip of teeth	1.570 mm
G	Center of rear axle to end of vehicle	1.490 mm
H	Bucket width	1.750 mm
I	Bucket pivot point	3.065 mm
J	Overhead loading height	2.915 mm
K	Dumping height	2.400 mm
L	Dump reach	650 mm
	Stack height	2.800 mm

Turning radius (over tyres)

2.840 mm

Information on suitable accessories can be found on our website.

The right to make changes is reserved in the interests of ongoing further developments. You can find more information on the engine power in the operator's manual. The actual power output figures may vary due to specific operating conditions.

Information on suitable accessories can be found on our website. More detailed information on engine power can be found in the operator's manual; the stated power may vary due to specific operating conditions. Subject to alterations and errors excepted. Applicable also to illustrations. Copyright © 2015 Kramer-Werke GmbH.