

4070

4070 CX LP
4070 CX
4070 CXT



WEIDEMANN



Impressive power –
superior performance.

Professional support for farmer and farm.

4070

The generation of progress.



PIONEERING SPIRIT.

Getting ready to face the challenges of tomorrow by discovering new power sources, exploiting energy fields and making the job easier. Acquiring that level of independence and self-assurance that comes before making a breakthrough. By shedding workload today, we give ourselves freedom of choice tomorrow.

Perceive, act, and harvest: Your productive way.

Farming is on the move and inspiring people as never before ...

- with yields that secure value
- with performance that safeguards the future
- with growth that offers opportunities.

Optimising the interaction of agile minds with flexible machines and flexible routines creates a bond that takes us forward together. And that's been so for more than 50 years.



PROGRESS REAPS REWARDS:
YIELDS THAT SECURE VALUE.



**THINKING AHEAD BRINGS
MOTIVATION:** PERFORMANCE
THAT SAFEGUARDS THE FUTURE.



CARRYING ON MAKES SENSE:
WITH GROWTH THAT GENERATES
OPPORTUNITY.



4070 CXL P

Hi-tech you'll want to get your hands on: Sophisticated, robust and fit for purpose – Weidemann perfection.

CXLP

A workplace that is home from home. Treat yourself with low access steps on either side of the machine and a comfort seat that you adjust to your body weight and height. And not least, enjoy the space and visibility from every angle.

Swap proven attachments without leaving the cab. The standard hydraulic locking system and proven attachments make your 4070 model a flexible and highly productive multi-purpose machine in indoor and outdoor applications.

Robust kinematics deliver enormous lift and breakout forces – thanks to two massive hydraulic rams that hold plenty of power in reserve and kinematics that provide short and efficient work cycles. Load and unload in extremely swift cycles.

Diversity in specifications. Customize your machine to your specific requirements and wishes: Choose engine, cab, tyres and attachments. It is always your bespoke Weidemann.

Impressive lift heights from a compact build. The cranked boom offers an extremely high load rating and extra rigidity that add to the precision of your work. Operator view of the raised attachment is always excellent. As such, filling high-sided trailers becomes easy.

Sure-footed in every respect. Their extremely low centre of gravity gives all Weidemann machines their unfailing stability. All four wheels stay firmly in touch with the ground and the pivoting articulation ensures maximum traction.



4070CXL P



4070CX



4070CXT



Business class operation: Leaders by performance and example.

- 1 Joystick for robust and well-conceived machine control. The joystick is ergonomic, practical and clear, offering single-handed control of direction of travel and all kinematics without fatigue.
- 2 Sunblind adjusts in steps. A relief when the sun is low, the sunblind provides effective protection from blinding and ensures an unobstructed view of the attachment and area of work. A detail that is vital for operator safety.
- 3 Maintenance, service, value retention. Buyers who opt for a Weidemann machine opt for high dependability.
- 4 Engine, hydraulic system and electrics are readily accessible. Finish all routine maintenance and service in no time at all, saving time and costs.



1



2



3



4

From the roots into the future – ideas for today and tomorrow.

What began as a helper in livestock buildings developed into the skid-steer loader and Weidemann Hoftrac®, then growing into a large family of compactly built, articulated and extremely manoeuvrable machines.

The LP version is a Weidemann development that stands out for its exceptionally low profile. This design combines the initial Hoftrac® concept with the new and powerful qualities of a wheel loader.

4070 CX LP



The massive and protruding rear weight gives protection from damage and provides a counterweight when handling heavy loads. The cantilever design with recessed tail lights provides optimum protection to the entire rear end.

The backbone of Weidemann design is its legendary pivoting articulation. Weidemann wheel loaders keep all four wheels firmly on the ground. In every situation. In any terrain. And with the front and rear sections of the machine pivoting independently of each other, they offer modulated control in rough terrain. You benefit from maximum traction. No power is lost.



Choose for yourself: They're both as superb as each other.

CX, CXT

4070 CX

Side tilt, extra-class comfort cab. Featuring a hydraulically pre-controlled joystick, heating and ventilation as well as a fully suspended comfort seat with seat belt. Adjustable steering wheel, heated rear window, battery cut-out switch.

Hydraulics and kinematics taken to a powerful dimension. Play with enormous lift and break-out forces and a hydraulic quick-fit system that allows you to use a variety of attachments. Versatility is a standard specification here. Extra strength comes from two rams with inbuilt power reserves.



A professional power package. 4-cylinder engine for up to 30 km/h speed (option) and hydrostatic four-wheel drive. 100% differential lock on all four wheels. Electro-hydraulic engagement.

Compact build and superior lift height – a forward-looking connection. The boom is cranked. So, when raised it still offers an unhindered view of the attachment and the material.

Amazing lift heights. Though compact in design and low in profile, these machines have no difficulty in filling even high-sided trailers and stacking material accurately at great heights.

Swap attachments from the cab. Hydraulic attachment is standard specification. The wide variety of attachments gives you maximum productive flexibility.



Low centre of gravity and the Weidemann pivoting articulation for absolute stability, impressive agility and full traction in any building.

Ergonomically-designed cab environment and maximum operator safety. The operator and his needs and safety are our foremost concern.

Customized machine configuration. Every Weidemann wheel loader is customized to your individual requirements. You select the engine, the type of cab, the tyres and attachments that suit your needs and wishes.



4070CXLP



4070CX



4070CXT



Programmed to boost yields, designed for your comfort.



When we design a machine, we start on the inside. Because it is only when the human operator sees that care has gone into providing him with a suitable workplace that he becomes fully motivated.

The 4070 series is a premium loader ... and that's exactly how its driver experiences it. Because it is highly agile (despite its size), makes optimum use of its power and affords the operator effortless control of machine and kinematics. And because you sense how much thought has been given to the person who is expected to do a perfect job with it.

So in addition to the technical superiority, you have yet another decisive factor: the belief of the driver that he has a very special workplace. Every day.

4070 ex

- 1 **Vibration-damped workplace.**
The machine absorbs vibrations and shock loads to protect your health and keep you relaxed and concentrating during those long hours of work.
- 2 **Hydraulically pre-controlled joystick.**
The joystick is ergonomic, practical and clear, offering single-handed and modulated control of direction of travel and all kinematics without fatigue.
- 3 **The ergonomic experience of space.**
Plenty of legroom, neatly grouped combination instruments and the comfortable operator seat combine to make the best possible arrangement. A workplace that gives the best possible support.
- 4 **Side-folding modules.** Enjoy easy and unhampered access to engine, hydraulic system and electrics for effortless routine checks and servicing.



The massive and protruding rear weight gives protection from damage and provides a counterweight when handling heavy loads. The cantilever design with recessed taillights provides optimum protection to the entire rear end – especially in confined space.



Prestigious provenance: A tradition of superiority.



An idea that has always been true to itself.
Your Weidemann is a specialist. It is made in Germany, in one of the most modern manufacturing plants in Europe. Today, more than ever, it is what it always was – a multitalent that has grown up in an agricultural background. Practical, robust and durable.
A helper you can depend on like on a good neighbour. That's its product personality. And its quality.

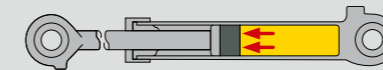
Weidemann factors:

- Easy and confident handling via joystick.
- Low front end for unobstructed view of attachments.
- Full capacity and efficiency.
- Compact build.

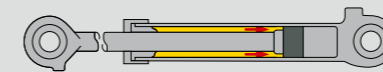
4070

Powerful external services: The well-designed and well-proven mast with Z-kinematics in combination with powerful hydraulics delivers enormous lift and break-out forces. A true power combination. Move the material without effort and deposit it precisely where you want it.

1 Crowding with plenty of power.



2 Dumping effectively and fast.



4070

Obviously more than complete: Top models of the extra class.

LIFT HEIGHT? A BUMPER.

"I just wouldn't be able to manage any more without the extraordinary lift height I get from my 4070. We use the machine every day, so it clocks 1,000 hours every year."

B. Asmussen, Germany
Dairy farmer



Sure it's convenient. Simply drive up to the attachment, pick it up hydraulically without leaving the cab and lock / unlock while you watch. Work is so much easier now.

You never know what tomorrow will bring. The 4070 series is ready for any challenge.

Keeping abreast of advances in technology and often being one step ahead – developments in and around agriculture and its associated industries set the pace for future success.

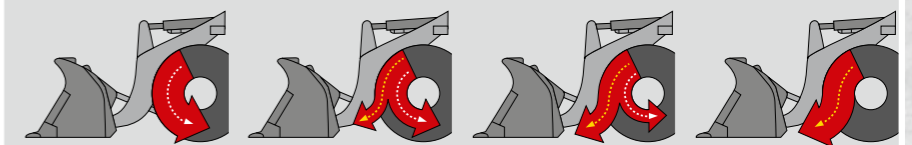
In the specifications for this top model, we have taken into account many recent and forecast uses and have laid down the technical groundwork for them. We've done this by clearly focusing on the way that our customers are boosting their output in this segment. And we can say with justifiable pride that we have given of our best.



Maintenance, service, value retention. Buyers who opt for a Weidemann machine opt for high dependability. Every day. For peace of mind.



THE INCH-BRAKE PEDAL TRANSFERS ALL POWER TO THE HYDRAULIC CIRCUIT THAT OPERATES THE BOOM.



Inch-brake pedal. Using only one pedal for inching significantly reduces wear on the brake and increases precision at any moment – also when handling high loads.



“Energy takes effect.”



		4070 CX80 LP	4070 CX80	4070 CX100	4070 CX80 T	4070 CX100 T
TECHNICAL DATA						
ENGINE SPECIFICATIONS						
Manufacturer		Deutz	Deutz	Perkins	Deutz	Perkins
Engine type		TD2011 L04w	TD2011 L04w	1104 D-E 44 T	TD2011 L04w	1104 D- E44 T
Cylinders		4	4	4	4	4
Max. output	kW	55.1	55.1	74.5	55.1	74.5
at	rpm	2300	2300	2200	2300	2200
Cubic capacity	cm³	3619	3619	4400	3619	4400
Cooling system		Water	Water	Water	Water	Water
ELECTRIC SYSTEM						
Operating voltage	V	12	12	12	12	12
Battery	Ah	77	77	95	77	95
Alternator	A	95	95	85	95	85
WEIGHTS						
Operating weight (standard)	kg	5230	5480	5730	5580	5800
Max. lift force	daN	5954	5954	5954	5979	5979
Tipping load in bucket (ISO 8313)						
Lift mast horizontal / machine is not articulated	kg	3002	3356	3766	3315 (1959)	3571 (2124)
Lift mast horizontal / machine is articulated	kg	2518	2834	3159	2789 (1627)	3049 (1801)
Tipping load on pallet fork (ISO 8313)						
Lift mast horizontal / machine is not articulated	kg	2710	2857	3207	3068 (1908)	3326 (2087)
Lift mast horizontal / machine is articulated	kg	2279	2446	2716	2607 (1594)	2803 (1757)
MACHINE						
Ground speed	km/h	0 - 20 (30)	0 - 20 (30)	0 - 20 (30)	0 - 20 (30)	0 - 20 (30)
Fuel tank capacity	l	90	90	90	90	90
Hydraulic oil	l	80	80	80	80	80
HYDRAULIC SYSTEM						
External services						
Oil flow	l/min	163.3	163.3	149.1	163.3	149.1
Operating pressure	bar	445	445	445	445	445
Steering hydraulics						
Oil flow	l/min	103.5	103.5	99	103.5	99
Operating pressure	bar	210	210	210	235	235

All technical data in this brochure refer to series models that have been tested under operating conditions typical of Central Europe and describe their standard functions. Specifications and their modes of functionality as well as accessories listed in this brochure depend on the individual model and on the options available with a particular product as well as the statutory requirements of the country of sale. Illustrations used in this brochure may show products that have not been mentioned or that are not available as series production machines. The descriptions, illustrations, weights and technical data published herein are non-binding in nature and represent the technical status at the time the document went to press. Because of ongoing development, we reserve the right to make changes, without prior notice, to the design, specification, visual appearance and technology of our products. Should you require special functions that would be available only by using additional components and/or under special circumstances, please feel free to contact us. We will be happy to answer any questions you may have and to provide further information regarding whether and under what conditions applying to the product and the target environment such special functions might be feasible. If you have any concerns about the load capacity or operation of our products in certain working conditions or environments, we recommend that you perform a test run under controlled conditions. Despite meticulous attention to detail, we cannot exclude the possibility that our products may not conform to illustrations or stated dimensions, or that errors may have occurred in calculation or during printing, or that the information given here may be incomplete. Consequently, we do not accept liability for the accuracy or completeness of the information supplied in this brochure. All matters relating to our product warranty are contained within our General Terms and Conditions. We expressly decline to provide additional guarantees. Any liability over and above that contained within our General Terms and Conditions is excluded.

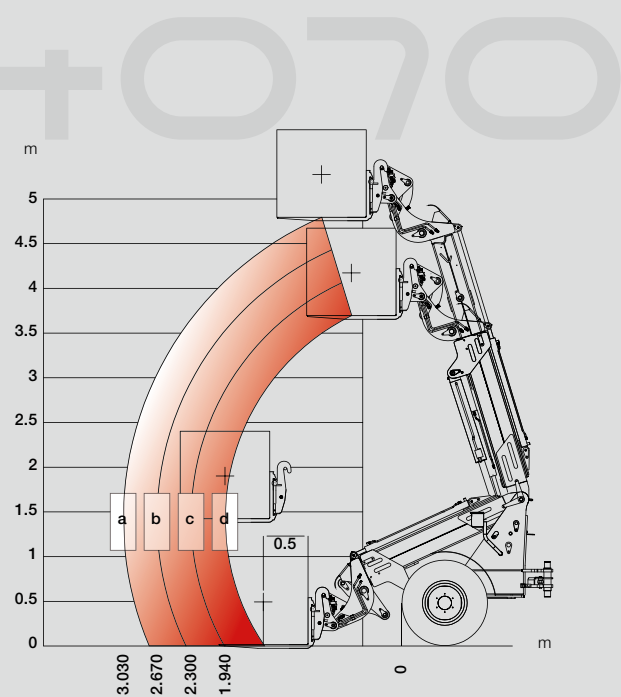
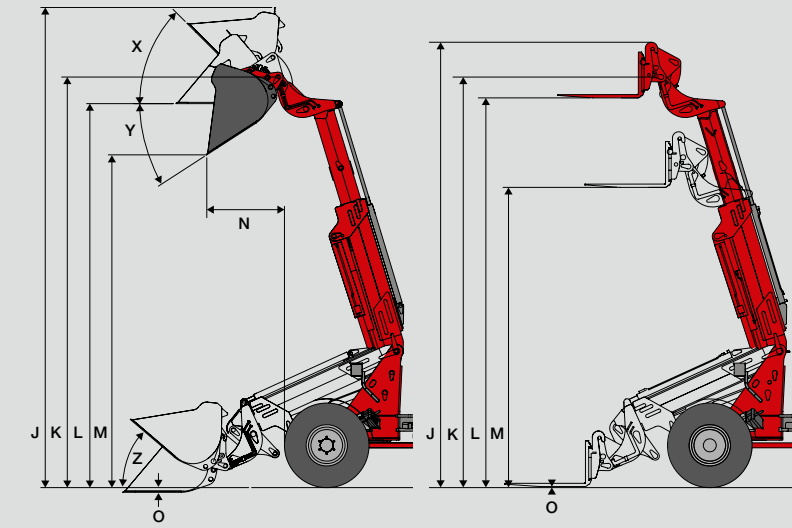
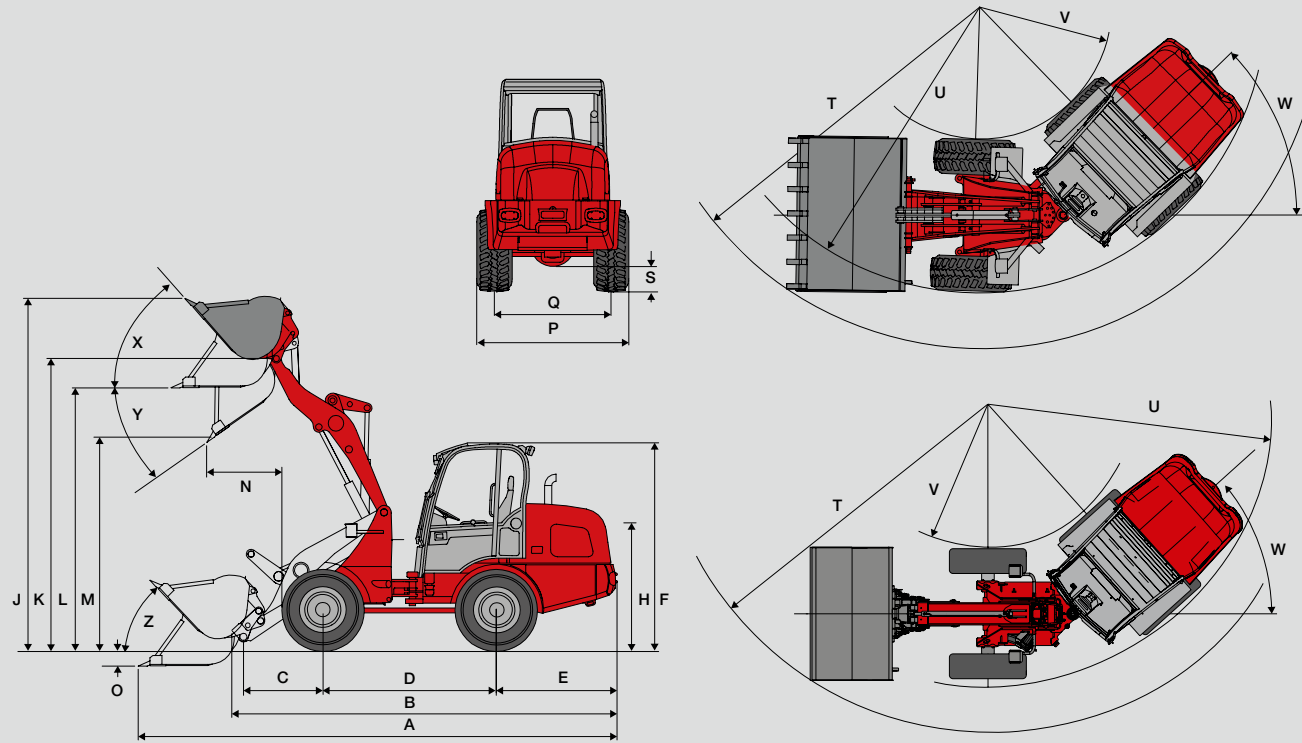
Figures in () indicate extended position



STANDARD SPECIFICATION

	4070 CX LP	4070 CX	4070 CX T
DRIVELINE			
Hydrostatic four-wheel drive	●	●	●
PA1422 planetary axle	●	●	●
Pto gearbox and driveshaft	●	●	●
12.5 - 20 AS ET0 tyres incl. reversible rims	●	●	●
100% diff lock in front and rear axles electro-hydraulic engagement	●	●	●
HYDRAULIC			
Single-handed control with float position next to the seat on the right	●	●	●
Joystick	○	●	●
Pressureless return line	○	○	●
Hydraulic oil cooler	●	●	●
Hydraulic connector DN12 at front	●	●	●
Hydraulic quick-fit system for attachments	●	●	●
Counter balance valves	○	○	●
Fully hydraulic pivoting articulation	●	●	●
CAB			
Canopy with restraint system ROPS/ROPS certified	●	-	-
Comfort cab with heating and ventilation system, side-tilt cab, ROPS/FOPS certified	-	●	●
Wipers on front and rear windows	●	●	●
Full suspension comfort seat with seat belt	●	●	●
Adjustable steering wheel	●	●	●
Work lights front and rear	●	●	●
Fuel gauge	●	●	●
Hour meter	●	●	●
Lights	○	●	●
German MOT expertise for road travel	○	●	●
OTHER EQUIPMENT			
Battery cut-off switch	●	●	●
Electric socket at front	○	○	●

● Standard
○ Option



DIMENSIONS mm	4070 CX LP	4070 CX	4070 CX T
A Overall length incl. standard bucket	5968	5947	6255 (6270)
B Overall length excl. bucket	4825	4784	5200
C Axle middle to bucket pivot pin	990	990	1245
D Wheelbase	2150	2150	2190
E Rear overhang	1520	1500	1520
F Height over canopy	2404	-	-
Height over cab	-	2610	2610
H Seat top height	1341	1571	1571
J Overall working height	4385	4387	5904 (5476)
K Max. height at bucket pivot pin	3612	3640	5050
L Unloading height*	3248	3276	4722 (4792)
M Dump height*	2570	2662	4055
N Reach at M*	963	934	955
O Bucket digging depth*	210	150	57 (0)
P Overall width	1750	1750	1750
Q Track width	1420	1420	1420
S Ground clearance	315	320	320
T Maximum radius*	4213	4146	4440
U Outer radius	3527	3527	3824
V Inner radius	1688	1688	1954
W Articulation angle	44°	44°	42°
X Roll back angle at max. lift height	49°	49°	45°
Y Max. dump angle*	35°	35°	33°
Z Roll back angle at ground level*	45°	45°	41°

* 1800 mm earth bucket Figures in () reflect pallet fork attachment

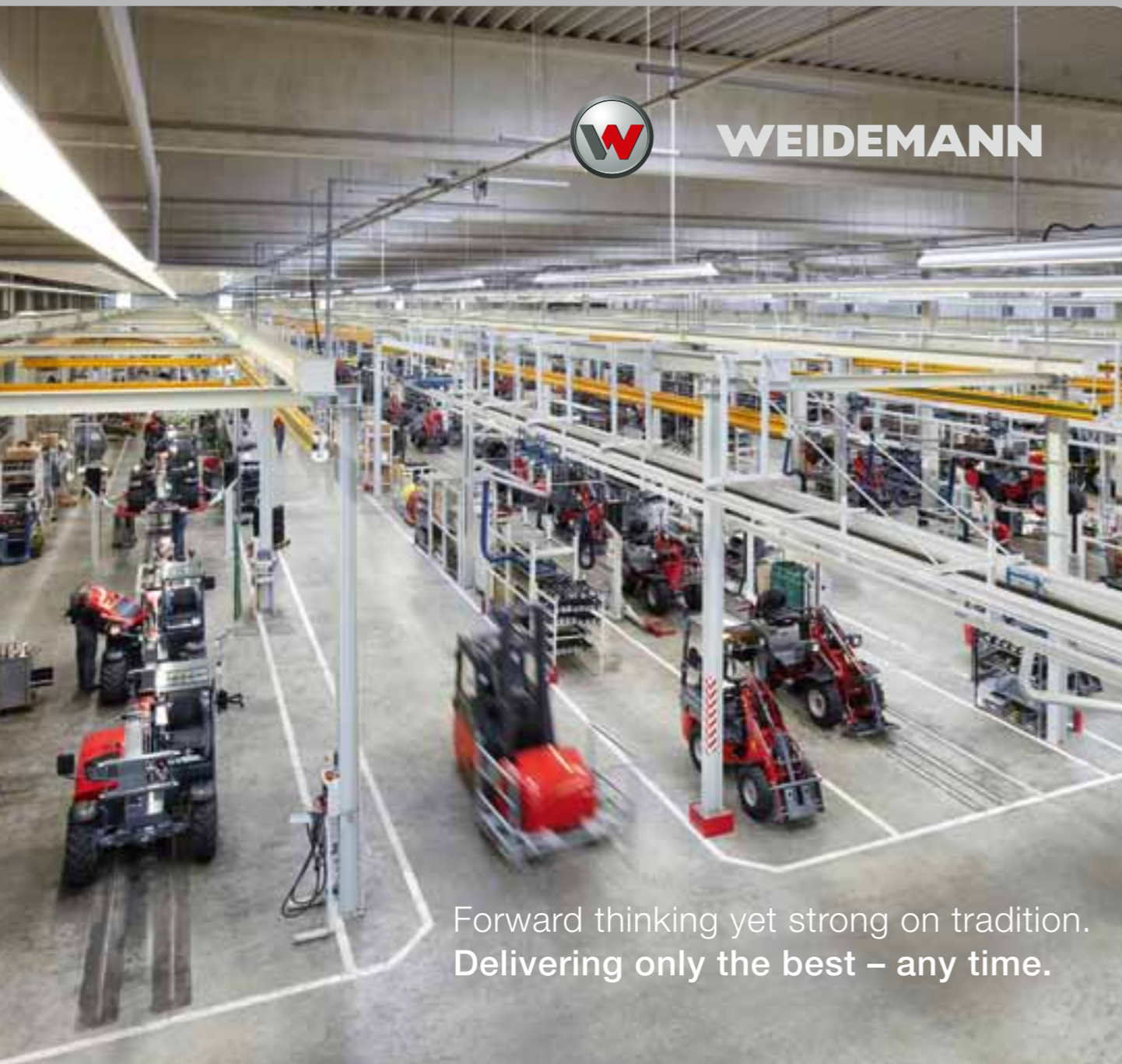
LOAD CAPACITY DIAGRAM kg	4070 CX80 T	4070 CX100 T
a	957	1054
b	1066	1174
c	1363	1465
d	1564	1682

Maximum permissible load to DIN EN 474-3.

4070 CX80 T wheel loader with LS991 boom and standard 12.5-20 tyres.
4070 CX100 T wheel loader with LS991 boom and standard 12.5-20 tyres.
Safety factor is 1.67 for rough terrain and machine articulated to 42°.

WIDTH / REVERSED mm	4070 CX LP	4070 CX	4070 CX T
12.5 - 20 AS ET0	1750*	1750*	1750*
405/70 - 20 AS ET0	1840	1840	1840
500/45 - 20 AS ET0	1920	1920	1920
15.5/55 - 18 EM ET0	1780	1780	1780
405/70 - 18 EM ET0	1877	1877	1877
550/45 - 22.5 AS ET0	1980	1980	1980

* Standard specification



WEIDEMANN

Forward thinking yet strong on tradition.
Delivering only the best – any time.

	Max. engine output	Operating weight	Max. bucket tipping load	Standard width
HOFTRAC®				
1130 CX30	18,5 kW	1530 kg	776 kg	850 mm
1140 CX30	18,5 kW	1550 kg	798 kg	850 mm
1160 CC30	18,5 kW	1910 kg	905 kg	1044 mm
1160 CC35	24,4 kW	2060 kg	994 kg	1044 mm
1230 CX30	18,5 kW	1920 kg	1064 kg	900 mm
1230 CX35	24,6 kW	1950 kg	1126 kg	900 mm
1240 CX35 LP	24,4 kW	1840 kg	1118 kg	970 mm
1240 CX35	24,6 kW	2080 kg	1158 kg	970 mm
1250 CC35	24,6 kW	2170 kg	1057 kg	1044 mm
1250 CX35	24,6 kW	2290 kg	1262 kg	1044 mm
1250 CX35 Cab	24,6 kW	2550 kg	1562 kg	1044 mm
1350 CC45	31,4 kW	2550 kg	1689 kg	1044 mm
1350 CX45	31,4 kW	2700 kg	1972 kg	1044 mm
1350 CX45 Cab	31,4 kW	2870 kg	2083 kg	1044 mm
1370 CX50	35,7 kW	2780 kg	1997 kg	1044 mm
1370 CX50 Cab	35,7 kW	2880 kg	2120 kg	1044 mm
1770 CX50	35,7 kW	2740 kg	1687 kg	1120 mm
1770 CX50 Cab	35,7 kW	2950 kg	1856 kg	1120 mm
WHEEL LOADERS				
2070 CX50 LP	35,7 kW	3270 kg	2300 kg	1415 mm
2070 CX80 LP	58,0 kW	3360 kg	2413 kg	1415 mm
2070 CX50	35,7 kW	3630 kg	2585 kg	1415 mm
2070 CX80	58,0 kW	3730 kg	2688 kg	1415 mm
3070 CX60 LP	45,0 kW	4390 kg	2851 kg	1538 mm
3070 CX80 LP	58,0 kW	4390 kg	2851 kg	1538 mm
3070 CX60	45,0 kW	4660 kg	3009 kg	1580 mm
3070 CX80	58,0 kW	4660 kg	3009 kg	1580 mm
4070 CX80 LP	58,0 kW	5230 kg	3002 kg	1750 mm
4070 CX80	58,0 kW	5480 kg	3356 kg	1750 mm
4070 CX100	74,5 kW	5730 kg	3766 kg	1750 mm
8080 CX120	88,0 kW	8400 kg	5400 kg	2240 mm
TELEHANDLERS				
2070 CX50 LP T	35,7 kW	3750 kg	2090 kg	1415 mm
2070 CX80 LP T	58,0 kW	3860 kg	2209 kg	1415 mm
2070 CX50 T	35,7 kW	3970 kg	2291 kg	1415 mm
2070 CX80 T	58,0 kW	4090 kg	2457 kg	1415 mm
3070 CX60 LP T	45,0 kW	4910 kg	2634 kg	1538 mm
3070 CX80 LP T	58,0 kW	4910 kg	2634 kg	1538 mm
3070 CX60 T	45,0 kW	5210 kg	2713 kg	1580 mm
3070 CX80 T	58,0 kW	5210 kg	2713 kg	1580 mm
4070 CX80 T	58,0 kW	5580 kg	3315 kg	1750 mm
4070 CX100 T	74,5 kW	5800 kg	3571 kg	1750 mm
T4512 CC35	22,6 kW	2530 kg	1200 kg (Payload)	1560 mm
T6025 CC70	50,0 kW	4730 kg	2500 kg (Payload)	1960 mm



High-quality powder coat finish.
Aiming for quality that lasts. Viable for all.

Honest quality through and through.
High-quality material that is strong enough to always offer reserves. That's Weidemann.





WEIDEMANN



We consider it our ongoing mission to abide by our pledge to provide quality products and services:

Reliability, credibility, flexibility, innovation, quality and responsiveness.

Compact machines from Weidemann deliver in environments where our competitors will simply walk away. Our products impress by virtue of their quality, power, dependable hydraulics, compact dimensions, innovative technology, maximum productivity and operational reliability.

Weidemann GmbH
Mühlhäuser Weg 45-49
34519 Diemelsee-Flechtdorf
Germany
Tel. +49(0)5633 609-0
Fax +49(0)5633 609-666
info@weidemann.de
www.weidemann.de