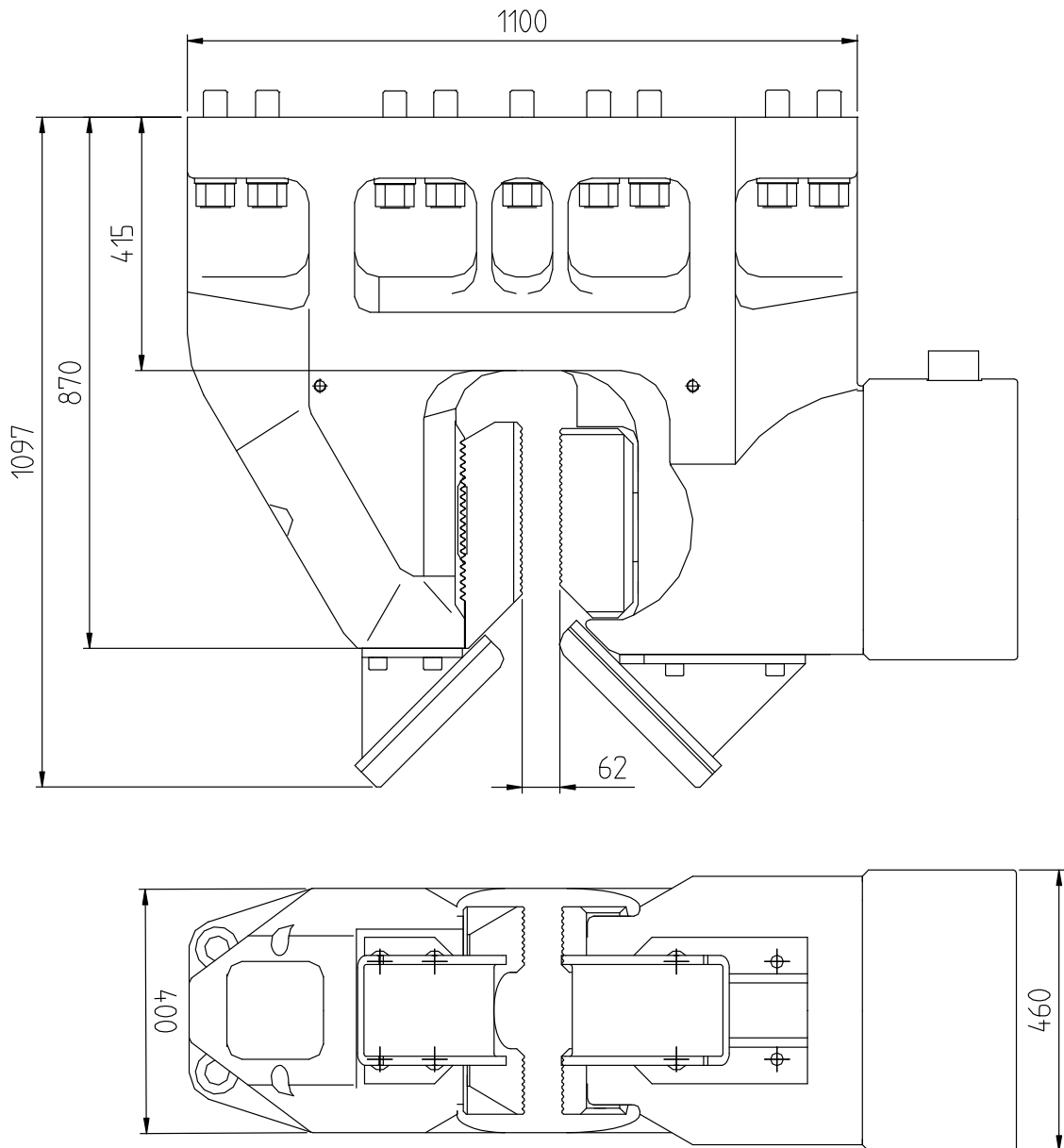


SPEC SHEET ICE 320TU

ICE
INTERNATIONAL CONSTRUCTION EQUIPMENT

M320TU0012 / 0708

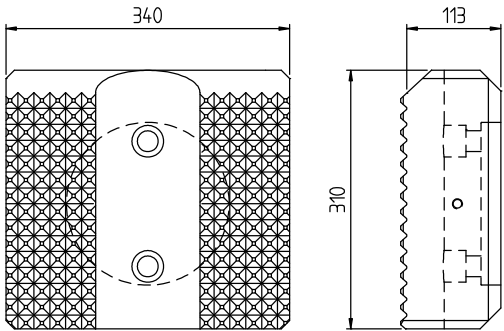


SPECIFICATIONS:		TECHNISCHE DATEN:		SPÉCIFICATIONS:		SPECIFICATIES:	
Universal clamp		Universalzange		Pince universel		Universeelklem	
Clamping force	3200 kN	Klemmkraft		Force de serrage		Klemkracht	
Max. operating pressure	320 bar	Max. Betriebsdruck		Pression de travail max.		Max. werkdruk	
Weight	2500 kg	Gewicht		Poids		Gewicht	

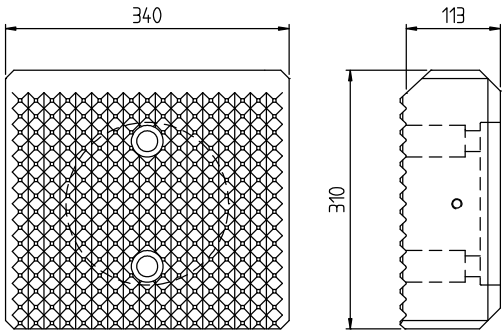
SPEC SHEET ICE 320TU



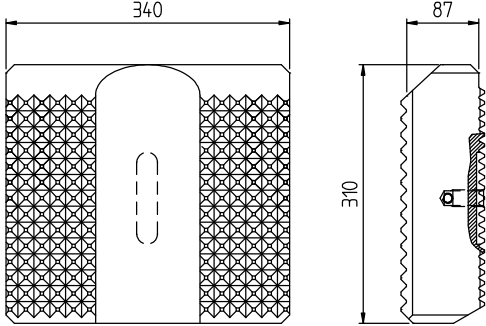
MOVEABLE JAW (0109105)



MOVEABLE JAW (0306109)



MOVEABLE JAW (0109108)



MOVEABLE JAW (0306108)

