

MULTIFARMER 2729 - XG



The supremacy of ideas.

MULTIFARMER

29.6
27.8



EXCLUSIVE TECHNOLOGY



Outstanding versatility

The front tool-holder carriage, complete with its Tac-Lock hydraulic locking system, ensures instant interchange of attachments - directly controlled from the cab.

40 kph travel speed

The electronically controlled hydrostatic transmission ensures a rapid and stable travel speed.

Excellent ground clearance

The "portal" type axles, designed and built by Merlo, ensure better ground clearance than traditional designs and were conceived exclusively for use on Merlo telescopic handlers.

Towing homologation

All available models are homologated within Europe as farm tractors, with trailer towing capacity of up to 21 tonnes where permitted by national road regulations.

Three-point rear linkage

4000 kg capacity rating and hydraulic servo-assisted controls facilitate the use of many types of agricultural implement.

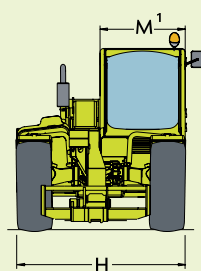
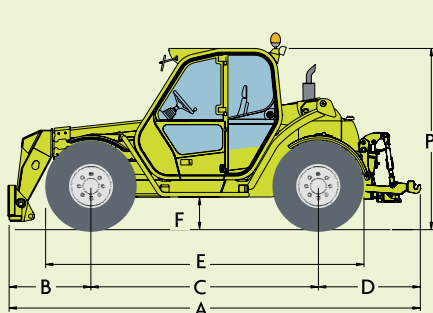
Full power PTO

The rear mechanical PTO provides two speed ratios (540 and 1000 rpm), for the operation of powered agriculture implements.

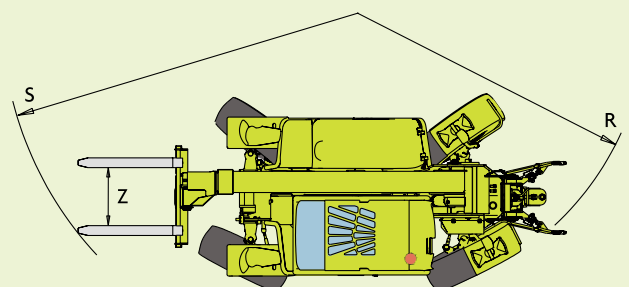
MULTIFARMER		29.6	27.8
Weight			
Total empty weight (with forks)	kg	6100	6180
Performance			
Rated maximum load	kg	2900	2700
Maximum lift height	m	6.4	8.2
Maximum forward reach	m	3.4	5.3
Lift height at full capacity	m	6.4	6.4
Reach at full capacity	m	1.5	1.8
Capacity at full lift height	kg	2900	1600
Capacity at full forward reach	kg	1350	700
Low emission (Euro 2) engine		turbo	turbo
Power at 2400 rpm (97/68/CE)	kW/HP	74.9/102	74.9/102
Speed ratios			
1 st gear	kph	15	15
2 nd gear (self-limiting maximum speed)	kph	40	40

MULTIFARMER		29.6	27.8
Dimension			
A	mm	4980	5010
B	mm	970	1000
C	mm	2720	2720
D	mm	1290	1290
E	mm	3878	3878
F	mm	385	385
H	mm	2040	2040
M	mm	995 ⁽¹⁾	995 ⁽¹⁾
P	mm	2200	2200
R	mm	3700	3700
S	mm	4550	4550
Z	mm	850	850

⁽¹⁾ Internal width



⁽¹⁾ Internal width



Cab

- Complies with Agricultural Tractor Directive and ISO 3449 (FOPS) and ISO 3471 (ROPS) standards.
- Multi-purpose '4 in 1' joystick control

Boom

- Telescopic with sections sliding on adjustable low-friction pads.
- Hydraulic extension mechanism totally enclosed within the boom assembly to ensure maximum protection and reliability.

Tool-carrier carriage

- The Tac-Lock quick attachment fitting system is hydraulically controlled from the cab.
- Standard double-acting hydraulic service, with quick couplings, for the operation of hydraulically powered attachments.

Forks

- Floating type: length 1200 mm. Section 130 x 50 mm.
- Fork spacing is manually adjustable between 450 and 1050 mm.

Steering

- Four drive/steer wheels, with automatic wheel synchronisation in the event of any misalignment and selection of three steering modes from the cab.

Rear PTO

- Mechanical two-speed 540/1000 rpm.

Rear three-point linkage

- Category II.
- 4000 kg rated capacity

Engine

- 4 cylinder diesel turbo Deutz low emission engine (Euro 2), with direct injection, water cooling and power rating of 74.9 kW (102 HP) at 2400 rpm (97/68/CE).

Transmission

- Hydrostatic with electronically controlled variable displacement pump.
- Continuous and automatic speed variation, from zero to maximum speed, via the accelerator pedal.
- Two-speed range gearbox.
- Inching-Control system providing infinitely variable control of travel

speed, irrespective of the engine speed.

- Finger-Touch system makes it possible to change between forward and reverse direction, with the driver keeping both hands firmly on the steering wheel.
- Permanent four-wheel drive.
- Rear axle differential locking.
- Portal axles ensuring excellent ground clearance.

Braking system

- Disk service brakes on all 4 wheels, hydraulically operated and acting on the differential output shafts.
- Disk parking brake with automatic locking feature and hydraulic release control, acting on the main transmission shaft.

Hydraulic system

- Gear pump.
- Maximum operating capacity: 100 l/min.
- Working pressure: 210 bar.

Electrics

- 12 V system with 100 Ah battery and 90 A alternator.
- Full road lighting and rotating beacon.
- Four working lights on the cab (two front lights and two rear).
- Manual battery isolator switch (optional automatic switch).

Capacities

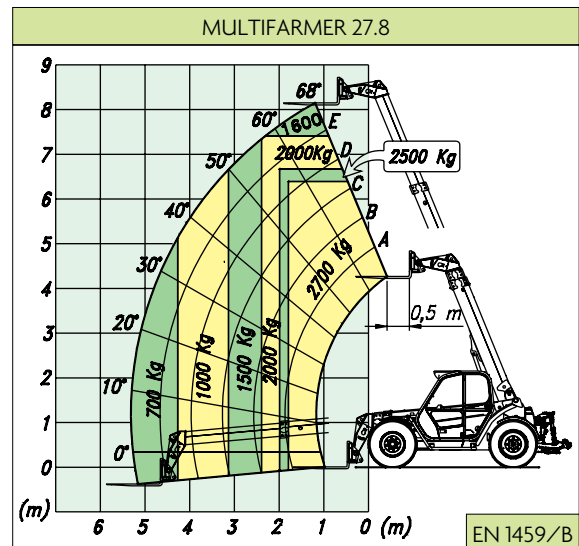
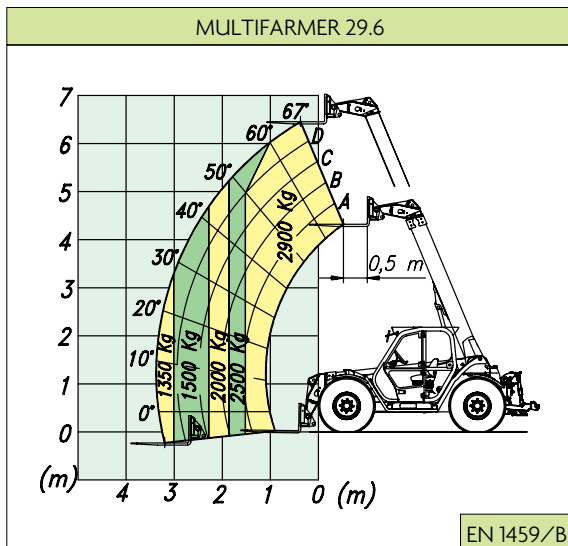
- Hydraulic oil: 85 l
- Diesel fuel: 100 l
- Hydrostatic oil: 12 l
- Engine oil: 8.5 l
- Coolant: 12 l

Tyres

- 405/70-24 (optional 405/70R24 or 405/70-20).

Available options

- Automatic battery isolator.
- Manual control air conditioning.
- Windscreen wiper on the roof window.
- Pneumatic seat.
- BSS - Boom Suspension System



Joystick control allows the operator to operate the main boom functions.



The side mounted engine ensures excellent accessibility for maintenance.



"Two-in-one" machine: telescopic handler and farm tractor.





Help is always nearby

Day after day, choosing a Merlo product brings the advantages of the most advanced technology and the practicality of safe and comfortable equipment, of which the very best can be expected.

Merlo Service ensures a close and continuing bond with the customer, provided by a worldwide network of more than 500 Service Centres guaranteeing experienced and trained technical assistance close at hand.

Building professionalism

Evidently, carelessness and a lack of respect for the basic principles of safety are often the causes of accidents with lifting equipment, often through the lack of an adequate training scheme. The close link between training and safety is a part of everyone's experience and must be continually updated as part of our professional development, a role for which the new Merlo Research and Training Centre is admirably suited.



MERLO S.P.A.

Via Nazionale 9

12020 S. Defendente di Cervasca - Cuneo - Italia

Tel. +39 0171 614111 - Fax +39 0171 614100

www.merlo.com info@merlo.com

COMPANY
WITH QUALITY MANAGEMENT
SYSTEM CERTIFIED BY DNV
ISO 9001:2000