

PK 20001 / 23001 EH

PALFINGER

LIFETIME EXCELLENCE

**SINGLE LINK PLUS AND E-HPLS OFFER
ADDITIONAL APPLICATIONS**



LIFETIME EXCELLENCE

PALFINGER LOADER CRANES ARE CONVINCING DUE TO THEIR SUPERIOR LIFE-CYCLE PERFORMANCE. THEY ARE THE MOST ECONOMICAL AND ALSO THE MOST RELIABLE OVER THE ENTIRE PRODUCT LIFE. FROM SOLUTION FINDING TO RESALE.

BETTER
SOLUTIONS

BETTER
EFFICIENCY

BETTER
ERGONOMICS

HIGHER VALUE
RETENTION



HIGHER
AVAILABILITY

HIGHER
SERVICEABILITY

BETTER
ECOLOGY

MORE
RELIABILITY



MORE LIFTING CAPACITY THANKS TO E-HPLS





- More lifting power thanks to E-HPLS
- High value retention due to KTL coating
- Maximum utilisation of the working range due to HPSC
- Increased operating times due to low-maintenance extension system
- Shorter load cycle times due to High Speed extension



FIRST-RATE IN DESIGN AND PERFORMANCE

12

HIGHLIGHTS



SINGLE LINK PLUS
HIGH VARIETY OF USES

With the 15-degree reverse linkage system, you can reach through low door openings and also work inside buildings. Heavy crane work – even in difficult conditions.



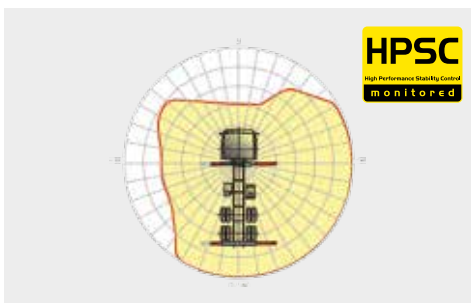
LOW-MAINTENANCE EXTENSION SYSTEM
REDUCES SERVICE TIME

With sliding elements made of synthetic material and the high-quality KTL coating, this boom system significantly simplifies service performed by the operator. This saves time and money – and protects the environment.



HIGH SPEED EXTENSION
FOR EFFICIENT ASSIGNMENTS

The High Speed Extension speeds up the extension boom system. Crane works faster and more efficiently.



HPSC
MAXIMUM UTILISATION OF THE WORKING RANGE

The variable stabiliser positioning of the High Performance Stability Control System makes it possible to utilise the lifting capacity to the maximum. It enables working within tight spaces.



PAL 50
COMFORT AND SAFETY

The PALTRONIC 50, PALFINGER offers the latest control electronics for the series production crane. The custom designed electronic operates and monitors the crane and offers more efficiency in use and safety.



CONTROL CONSOLE
ALL INFORMATION AT A GLANCE

All important information about the crane can be seen on the main control stand. A digital indicator counts and displays the operating hours. Ergonomic control levers and the optional lighting package provide increased safety and comfort even in poor visibility conditions.



KTL – CATHODIC DIP PAINTING
FOR RETAINING HIGH VALUE

The UV-resistant coating guarantees long-term surface protection. Perfect appearance during the entire lifetime for maximum resale value.



FUNCTIONAL DESIGN
PRACTICAL AND ATTRACTIVE

Robust plastic covers protect crane parts against dirt and damage. Better appearance and increased operational comfort – during the entire lifetime.



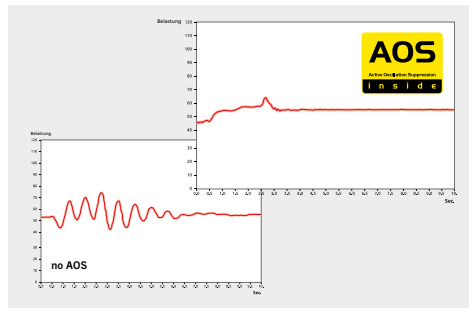
RADIO REMOTE CONTROL
DIALOGUE WITH THE OPERATOR

PALFINGER radio remote controls are equipped with linear lever or cross lever and provide the greatest possible comfort for the operator. All EH models with LED-Display inform the crane operator



HOSE EQUIPMENT FOR ATTACHMENTS
VERSATILE AND USER-FRIENDLY

The hose equipment offers an easy means of connecting auxiliary equipment. The hose equipment is guided in hose trays for protection.



AOS
MAXIMUM PRECISION AND SAFETY

The active oscillation suppression system prevents "post-oscillation" in the event of rapid braking or load changes. The stress peaks on the extension boom system are reduced and material fatigue and wear are minimised. This increases the resale value.



LIGHTING PACKAGE*
MORE CRANE SAFETY PARTICULARLY AT DUSK AND DARK

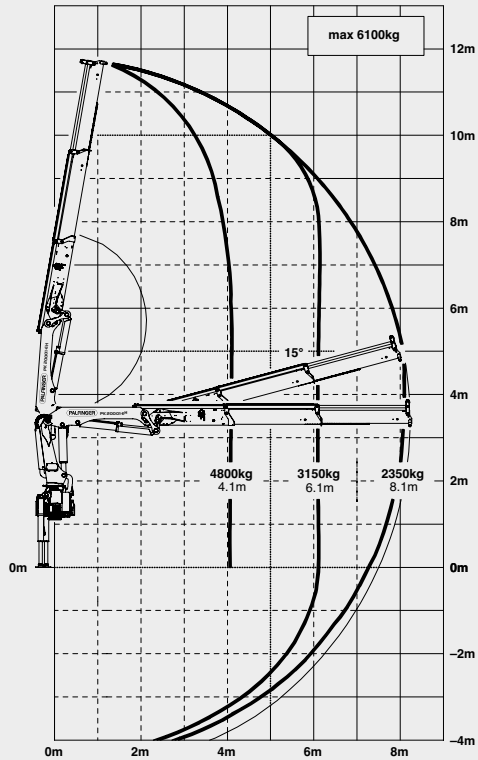
LEDs which backlight the control panel make it easier to read off the crane functions and provide the crane operator with a quick overview of the entire panel during the working process. LED warning lights in the supporting cylinders mean greater safety for crane operator and passers-by.



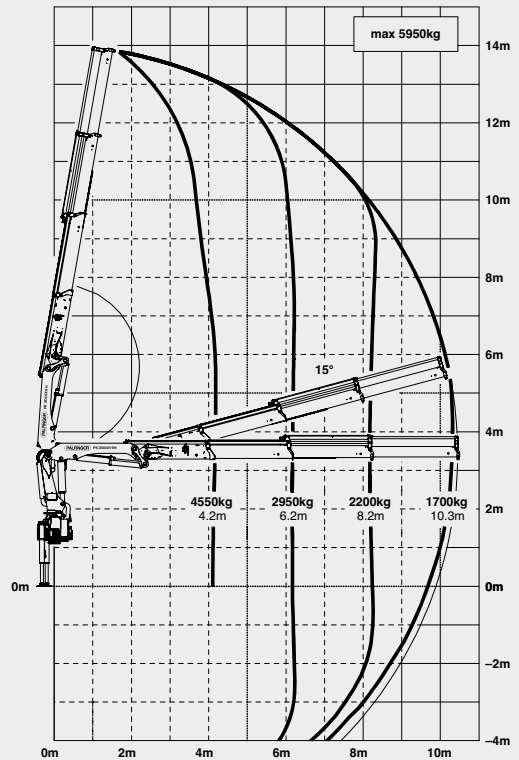
* Optional features / country-specific equipment

PK 20001 HIGH PERFORMANCE

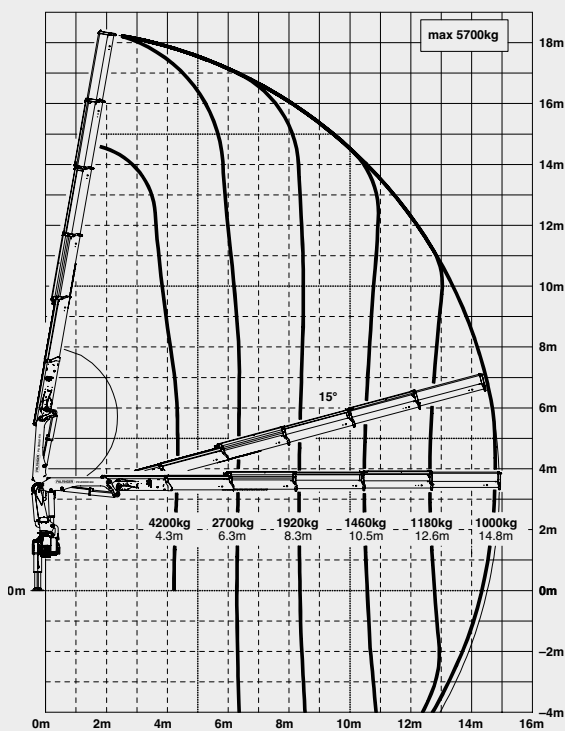
A



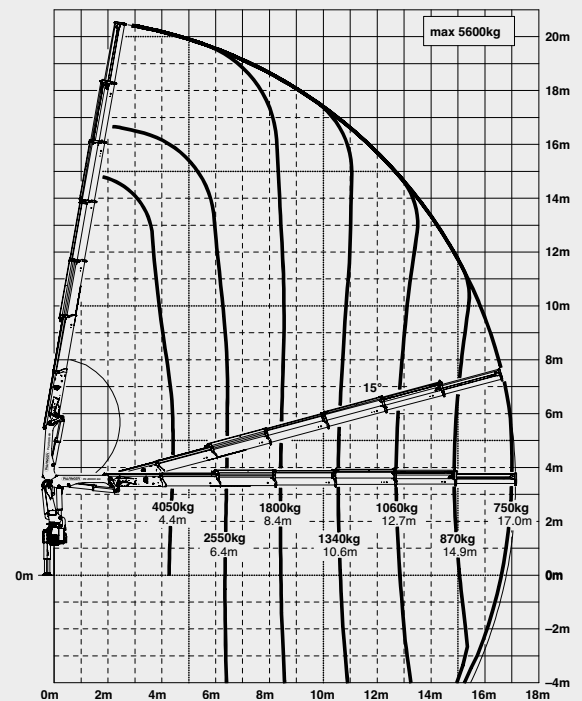
B



D

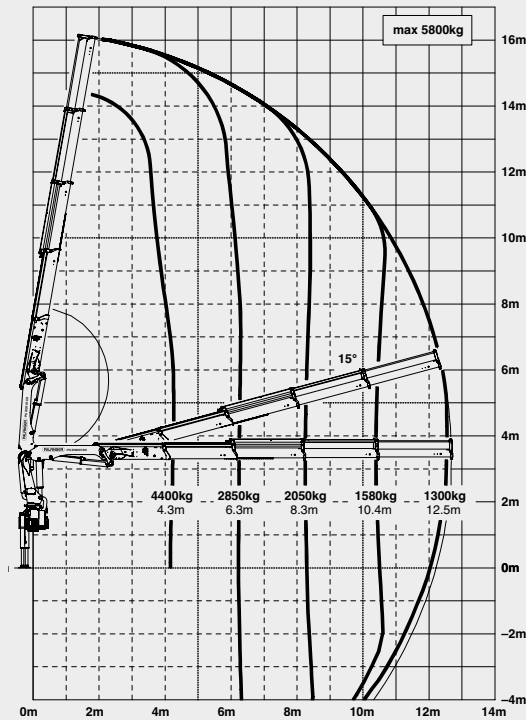


E



WORLDWIDE SERVICE NETWORK

C



LIFTING CAPACITIES

A	max.	6100 kg	59.8 kN
	4.1 m	13' 5"	4800 kg / 10500 lbs
	6.1 m	20' 0"	3150 kg / 6900 lbs
	8.1 m	26' 7"	2350 kg / 5200 lbs

B	max.	5950 kg	58.4 kN
	4.2 m	13' 9"	4550 kg / 10100 lbs
	6.2 m	20' 4"	2950 kg / 6600 lbs
	8.2 m	26' 11"	2200 kg / 4800 lbs
	10.3 m	33' 10"	1700 kg / 3750 lbs
	12.5 m*	41' 0"	1340 kg / 2950 lbs
	14.7 m*	48' 3"	1080 kg / 2400 lbs

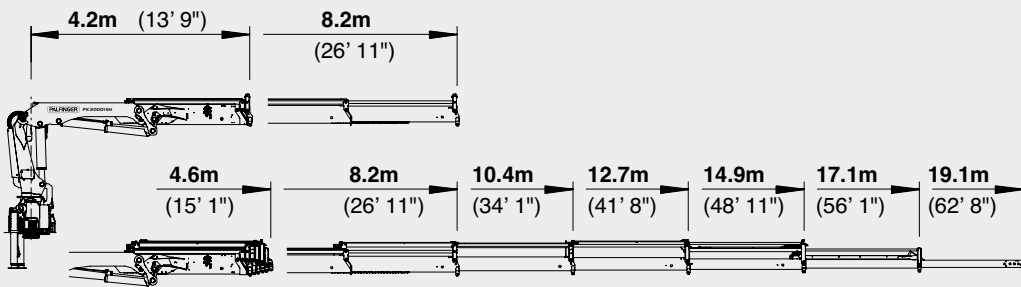
C	max.	5800 kg	56.9 kN
	4.3 m	14' 1"	4400 kg / 9700 lbs
	6.3 m	20' 8"	2850 kg / 6200 lbs
	8.3 m	27' 3"	2050 kg / 4500 lbs
	10.4 m	34' 1"	1580 kg / 3500 lbs
	12.5 m	41' 0"	1300 kg / 2850 lbs
	14.7 m*	48' 3"	1040 kg / 2300 lbs
	16.9 m*	55' 5"	860 kg / 1900 lbs

D	max.	5700 kg	55.9 kN
	4.3 m	14' 1"	4200 kg / 9300 lbs
	6.3 m	20' 8"	2700 kg / 5900 lbs
	8.3 m	27' 3"	1920 kg / 4250 lbs
	10.5 m	34' 5"	1460 kg / 3200 lbs
	12.6 m	41' 4"	1180 kg / 2600 lbs
	14.8 m	48' 7"	1000 kg / 2200 lbs
	17.0 m*	55' 9"	820 kg / 1800 lbs
	19.0 m*	62' 4"	620 kg / 1380 lbs

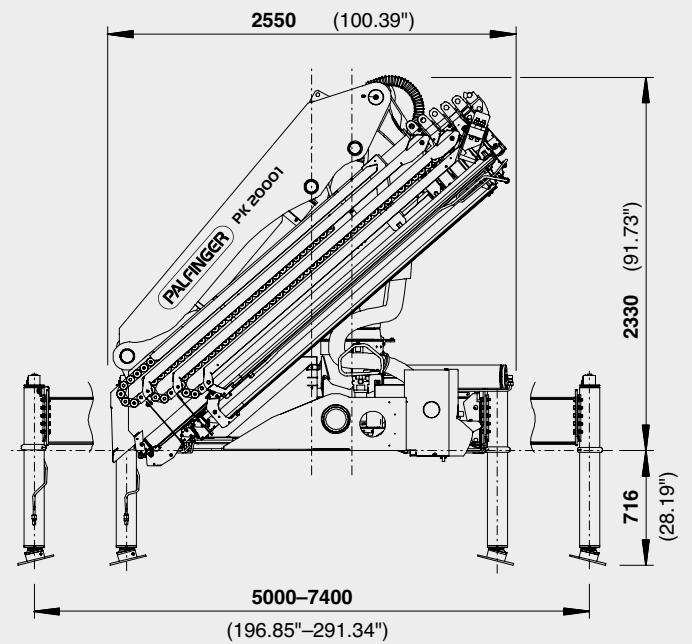
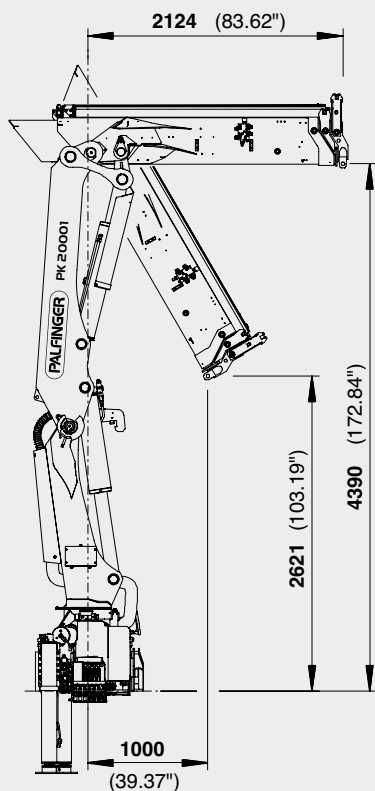
E	max.	5600 kg	54.9 kN
	4.4 m	14' 5"	4050 kg / 9000 lbs
	6.4 m	20' 12"	2550 kg / 5700 lbs
	8.4 m	27' 7"	1800 kg / 3950 lbs
	10.6 m	34' 9"	1340 kg / 2950 lbs
	12.7 m	41' 8"	1060 kg / 2350 lbs
	14.9 m	48' 11"	870 kg / 1920 lbs
	17.0 m	55' 9"	750 kg / 1660 lbs
	19.0 m*	62' 4"	620 kg / 1380 lbs

PERFECT DIMENSIONS

EXTENSION BOOM VARIATIONS



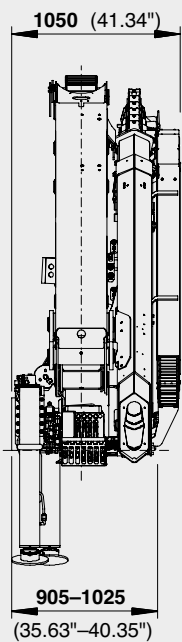
DIMENSIONS



PK 20001

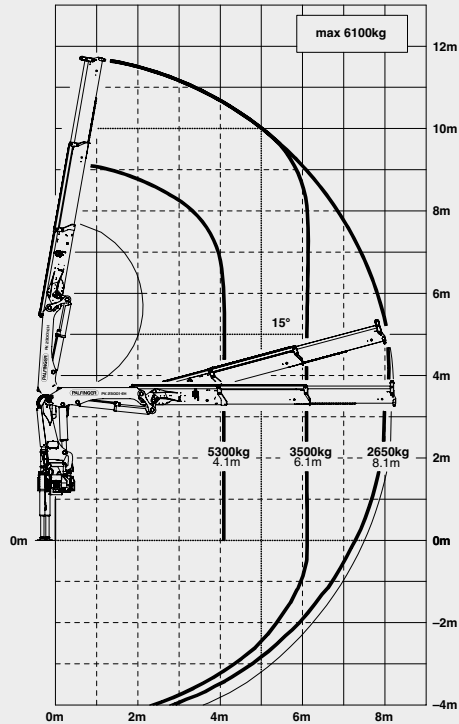
TECHNICAL SPECIFICATIONS (EN 12999 HC1 HD4/B3)

Max. lifting moment	20.0 mt / 196.0 kNm	144550 ft.lbs
Max. lifting capacity	6100 kg / 59.8 kN	13500 lbs
Max. hydraulic outreach	17.1 m	56' 1"
Max. manual outreach	19.1 m	62' 8"
Slewing angle	400°	
Slewing torque	2.3 mt / 22.6 kNm	16640 ft.lbs
Stabiliser spread (std./max.)	5.0 m / 7.4 m	16' 5" / 24' 3"
Fitting space required (std.)	0.91 m	2' 12"
Width folded	2.55 m	8' 4"
Max. operating pressure	320 bar	4640 psi
Recommended pump capacity	from 45 l/min to 65 l/min	11.9 US gal./min 17.2 US gal./min
Dead weight (std.)	2325 kg	5130 lbs

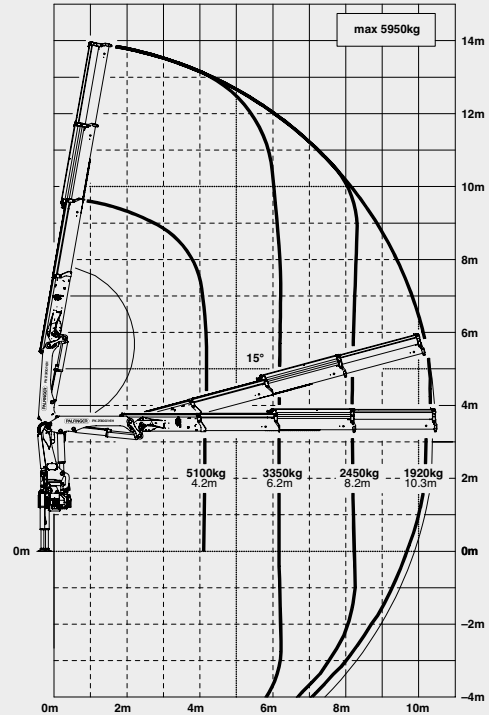


PK 23001 EH HIGH PERFORMANCE

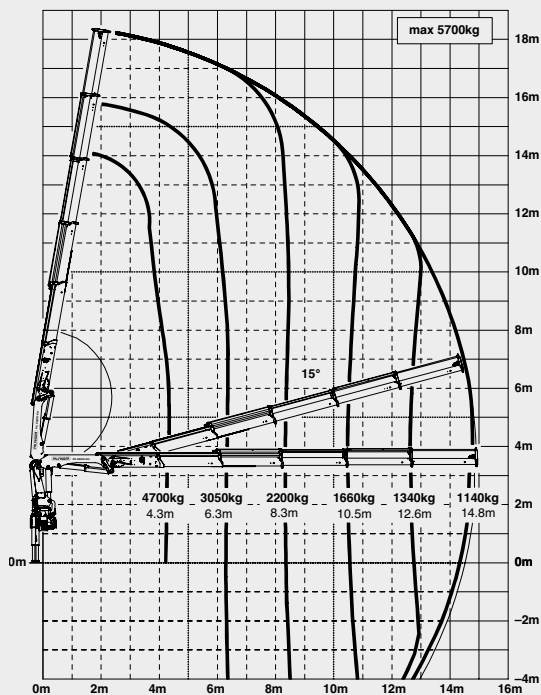
A



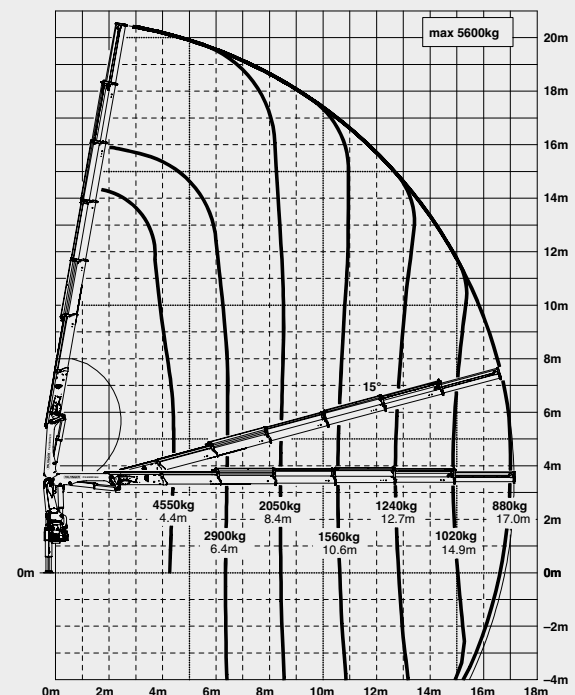
B



D

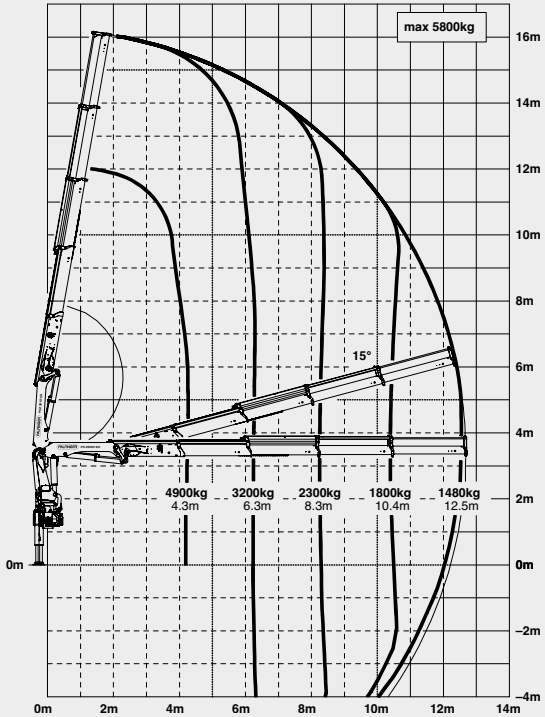


E



EQUIPMENT FOR EXACTING DEMANDS

C



LIFTING CAPACITIES

A		max.	6100 kg	59.8 kN
4.1 m	13' 5"	5300 kg	11700 lbs	
6.1 m	20' 0"	3500 kg	7700 lbs	
8.1 m	26' 7"	2650 kg	5800 lbs	

B		max.	5950 kg	58.4 kN
4.2 m	13' 9"	5100 kg	11200 lbs	
6.2 m	20' 4"	3350 kg	7300 lbs	
8.2 m	26' 11"	2450 kg	5400 lbs	
10.3 m	33' 10"	1920 kg	4250 lbs	
12.5 m*	41' 0"	1520 kg	3350 lbs	
14.7 m*	48' 3"	1240 kg	2750 lbs	

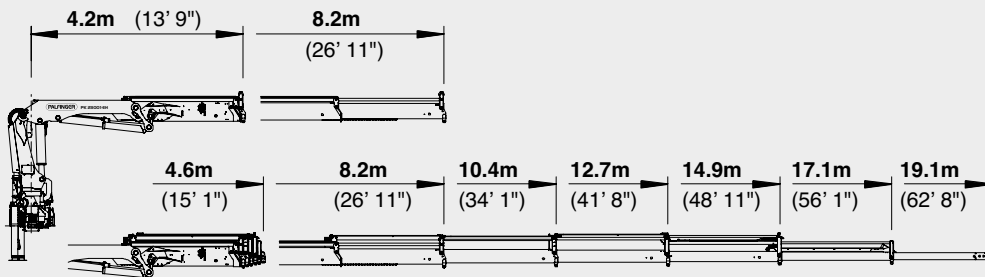
C		max.	5800 kg	56.9 kN
4.3 m	14' 1"	4900 kg	10800 lbs	
6.3 m	20' 8"	3200 kg	7000 lbs	
8.3 m	27' 3"	2300 kg	5100 lbs	
10.4 m	34' 1"	1800 kg	3950 lbs	
12.5 m	41' 0"	1480 kg	3250 lbs	
14.7 m*	48' 3"	1200 kg	2650 lbs	
16.9 m*	55' 5"	1000 kg	2200 lbs	

D		max.	5700 kg	55.9 kN
4.3 m	14' 1"	4700 kg	10400 lbs	
6.3 m	20' 8"	3050 kg	6700 lbs	
8.3 m	27' 3"	2200 kg	4800 lbs	
10.5 m	34' 5"	1660 kg	3700 lbs	
12.6 m	41' 4"	1340 kg	3000 lbs	
14.8 m	48' 7"	1140 kg	2500 lbs	
17.0 m*	55' 9"	950 kg	2100 lbs	
19.0 m*	62' 4"	620 kg	1380 lbs	

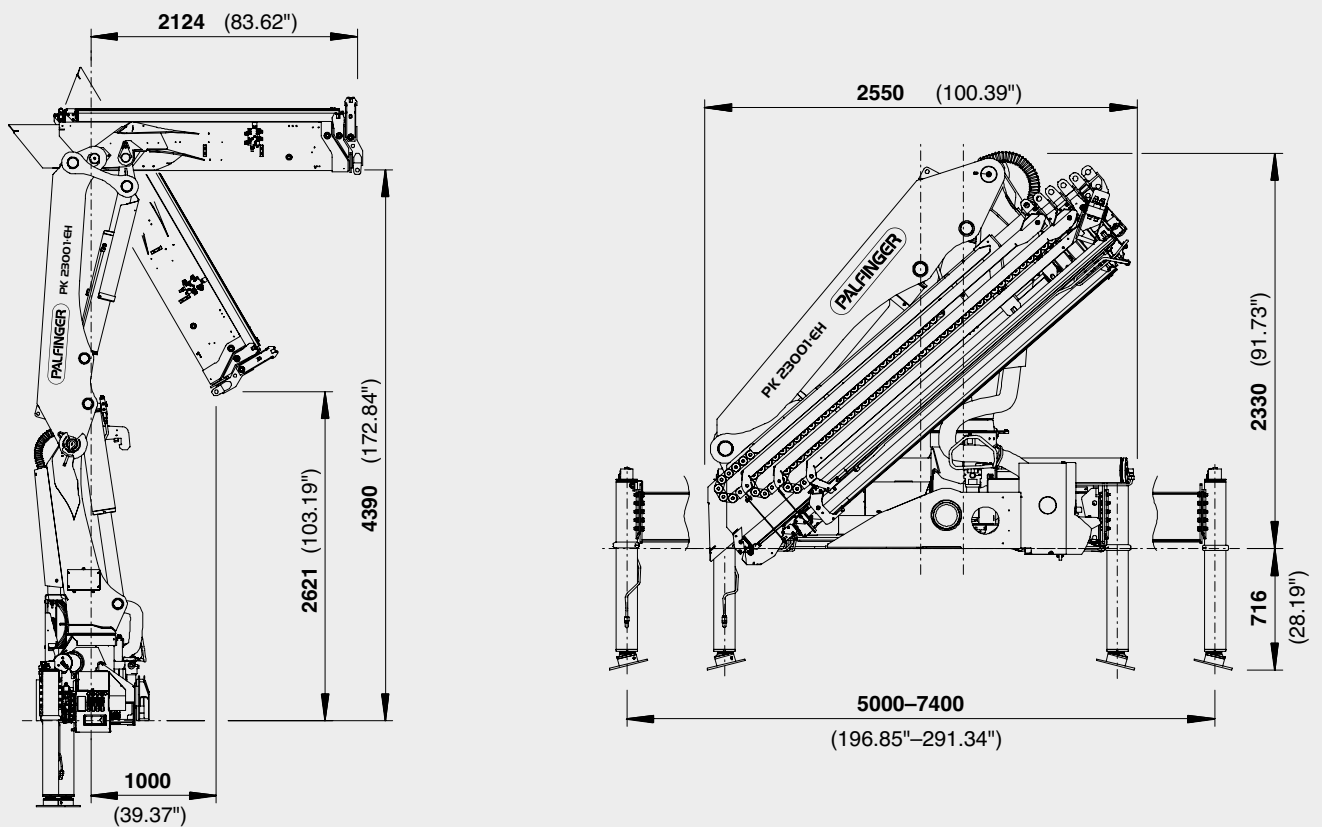
E		max.	5600 kg	54.9 kN
4.4 m	14' 5"	4550 kg	10000 lbs	
6.4 m	20' 12"	2900 kg	6400 lbs	
8.4 m	27' 7"	2050 kg	4550 lbs	
10.6 m	34' 9"	1560 kg	3400 lbs	
12.7 m	41' 8"	1240 kg	2700 lbs	
14.9 m	48' 11"	1020 kg	2250 lbs	
17.0 m	55' 9"	880 kg	1940 lbs	
19.0 m*	62' 4"	620 kg	1380 lbs	

PERFECT DIMENSIONS

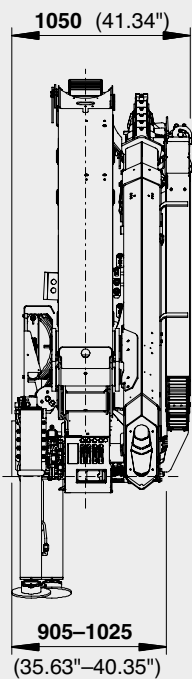
EXTENSION BOOM VARIATIONS



DIMENSIONS



PK 23001 EH



TECHNICAL SPECIFICATIONS (EN 12999 HC1 HD4/B3)

Max. lifting moment	22.2 mt/218.0 kNm	160780 ft.lbs
Max. lifting capacity	6100 kg/59.8 kN	13500 lbs
Max. hydraulic outreach	17.1 m	56' 1"
Max. manual outreach	19.1 m	62' 8"
Slewing angle	400°	
Slewing torque	2.3 mt/22.6 kNm	16640 ft.lbs
Stabiliser spread (std./max.)	5.0 m / 7.4 m	16' 5" / 24' 3"
Fitting space required (std.)	0.91 m	2' 12"
Width folded	2.55 m	8' 4"
Max. operating pressure	350 bar	5075 psi
Recommended pump capacity	from 65 l/min to 90 l/min	17.2 US gal./min 23.8 US gal./min
Dead weight (std.)	2325 kg	5130 lbs

PACKAGE MODEL

- E-HPLS
- Paltronic 50
- Radio remote control with LED display
- Danfoss control valve or PVG2000
- 8.5 kW oil cooler
- 200 l oil tank



Cranes shown in the leaflet are partially optional equipped and do not always correspond to the standard version. Country-specific regulations must be observed. Dimensions may vary. Subject to technical changes, errors and translation mistakes.