

2070

2070 CX LP
2070 CX
2070 CX LPT
2070 CX T



WEIDEMANN



Wheel loaders designed
and built for the future.

Perfect for indoor and outdoor use.

Upholding peak performance.

2070



JOKER.

Compact, agile and strong – and a telescoping version that reaches up to incredible heights. This is the way to succeed. The more you want powerful versatility, the more you'll want a series 20 machine. These are winners that get the work done. Winners that are always on top of the job.


Perceive, act, and harvest: Your productive way.


Farming is on the move and inspiring people as never before ...


- with yields that secure value
- with performance that safeguards the future
- with growth that offers opportunities.

Optimising the interaction of agile minds with flexible machines and flexible routines creates a bond that takes us forward together. And that's been so for more than 50 years.



 **PROGRESS REAPS REWARDS:**
YIELDS THAT SECURE VALUE.

 **THINKING AHEAD BRINGS
MOTIVATION:** PERFORMANCE
THAT SAFEGUARDS THE FUTURE.

 **CARRYING ON MAKES SENSE:**
WITH GROWTH THAT GENERATES
OPPORTUNITY.

Low built. High yield. LowPosition (LP) profile.

LP, LPT

Impressive lift heights from a compact build.

The cranked boom offers an extremely high load rating and extra rigidity that add to the precision of your work. Operator view of the raised attachment is always excellent. As such, filling high-sided trailers becomes easy.



Swap proven attachments without leaving the cab.

The standard hydraulic locking system and proven attachments make your series 20 LP model a flexible and highly productive multi-purpose machine in indoor and outdoor applications.

Robust kinematics deliver enormous lift and break-out forces

– thanks to two massive hydraulic rams that hold plenty of power in reserve and kinematics that provide short and efficient work cycles. You pick up and dump the material with astonishing speed.

From the roots into the future – ideas for today and tomorrow.

What began as a helper in livestock buildings developed into the skid-steer loader and Weidemann Hoftrac®, then growing into a large family of compactly built, articulated and extremely manoeuvrable machines.

The LP version is a Weidemann development that stands out for its exceptionally low profile. This design combines the initial Hoftrac® concept with the new and powerful qualities of a wheel loader.



Combining many benefits: A “not-only-but-also” instead of an “either-or“.



1



2



3



4

Where are you going to find a compact and robust loader that is available as a LowPosition version (2070 LP) and that not only is just over two metres in height but also lifts nearly 700 kg to a 5 m height when used as a teleloader and that continues to cut a fine figure in the premium CX specification? Why at Weidemann, of course. Where else?

Before you can aim for exceptional performance in terms of ‘extra’ functions, you need to have mastered the ‘basic’ ones. In the 2070 series, we at Weidemann have invested the sum total of our experience and technical knowledge into one single machine. In fact, we are delighted that there are so many applications in which this machine can excel.

- 1 The joystick for robust and well-conceived machine control. Enjoy this ergonomic, handy and clear control for single-handed operation of direction of travel and all kinematics without fatigue.
- 2 Sunblind adjusts in steps. A relief when the sun is low, the sunblind provides effective protection from blinding and ensures an unobstructed view of the attachment and area of work. A detail that is vital for operator safety.
- 3 Maintenance, service, value retention. Buyers who opt for a Weidemann machine opt for high dependability.
- 4 Engine, hydraulic system and electrics are readily accessible. Finish all routine maintenance and service in no time at all, saving time and costs.

2070 LP



The massive and protruding rear weight gives protection from damage and provides a counterweight when handling heavy loads. The cantilever design with recessed taillights provides optimum protection to the entire rear end.



The 2070 LP T model with sturdy roof offers a height of just 2,248 mm, which makes it the ideal machine for indoor and outdoor applications.



An even lower cab is available to reduce machine height to as little as 2,133 mm, allowing for passage under very low gates.



The cab combines the benefit of the low-profile roof.



We've thought of everything and designed from practical experience. Hoftrac® – a success story.

CX, CXT

2070 CX

Side tilt, extra-class comfort cab. Featuring a hydraulically pre-controlled joystick, heating and ventilation as well as a fully suspended comfort seat with seat belt. Adjustable steering wheel, heated rear window, battery cut-out switch.

Hydraulics and kinematics taken to a powerful dimension. Play with enormous lift and break-out forces and a hydraulic quick-fit system that allows you to use a variety of attachments. Versatility is a standard specification here. Extra strength comes from two rams with inbuilt power reserves.



A professional power package. Choose between a 4-cylinder Perkins or Deutz engine with up to 20 km/h speed and hydrostatic four-wheel drive. 100% differential lock on all four wheels. Electro-hydraulic engagement.

Customized machine configuration.

Every Weidemann wheel loader is customized to your individual requirements. You select the engine, the type of cab, the tyres and attachments that suit your needs and wishes.

Compact build and superior lift height – a forward-looking connection. The high front window offers unhindered view of the raised boom.



Ergonomic cab and maximum operator safety.

The operator and his safety is our foremost concern, which is evidenced by this protective roof and the cab.

Two rams and short work cycles are standard specification.

All kinematics are programmed for maximum efficiency. Load and unload in extremely swift cycles.



Swap attachments from the cab. Hydraulic attachment is standard specification. The wide variety of attachments gives you maximum productive flexibility.

Low centre of gravity and the Weidemann pivoting articulation. For absolute stability, impressive agility and full traction in any terrain.



2070CXLP



2070CX



2070CXLPT



2070CXT



A workplace that motivates:

Comfort and performance, cause and effect.



A Weidemann is more than just a machine. It is also a home from home for the operator.

The 20 series wheel loaders usually spend many hours working every day. These marathon sessions are no trouble at all for these machines. But don't worry, the human operator hasn't been forgotten. He can easily steer "his Weidemann" and operate it almost without tiring. Comfort and ergonomics are built into the machine and have been thoroughly tried and tested. This makes the job considerably easier.

Man and machine combine to make a smoothly functioning power duo. So everyone is fired up for action.

2070 ex



The massive and protruding rear weight gives protection from damage and provides a counterweight when handling heavy loads. The cantilever design with recessed taillights provides optimum protection to the entire rear end – especially in confined space.

- 1 **Vibration-damped workplace.** The machine absorbs vibrations and shock loads to protect your health and keep you relaxed and concentrating during those long hours of work.
- 2 **Hydraulic pre-controlled external services.** The joystick is ergonomic, practical and clear, offering single-handed and soft control of the direction of travel and all machine kinematics. The operator is in full control.
- 3 **The ergonomic experience of space.** Plenty of legroom, neatly grouped combination instruments and the comfortable operator seat combine to make the best possible arrangement. A workplace that gives the best possible support.
- 4 **Side-folding modules.** Enjoy easy and unhampered access to engine, hydraulic system and electrics for effortless servicing.



A tradition of safety:
We don't compromise on quality.



2070

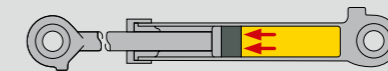
An idea that has always been true to itself.
Your Weidemann is a specialist. It is made in Germany, in one of the most modern manufacturing plants in Europe. And now more than ever, it is what it always was – a multitalent that has grown up in an agricultural background. Practical, robust and durable. A helper you can depend on. That's its product personality. And its quality.

Weidemann factors:

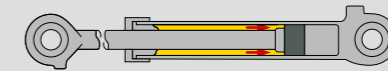
- Easy and confident handling via joystick.
- Low front end for unobstructed view of attachments.
- Full capacity and efficiency.
- Compact build.



1 Crowding with plenty of power.



2 Dumping effectively and fast.



Perfectly orchestrated PZ kinematics that maximize dumping and crowding forces, releasing high lift and break-out forces in short cycles. In addition, the system gives parallel control to the pallet fork throughout the full lift range.



A modular concept system – always with an eye on the future.



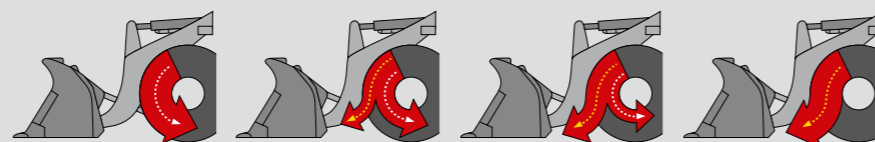
Sure it's convenient. Simply drive up to the attachment, pick it up hydraulically without leaving the cab and lock / unlock while you watch. Work is so much easier now.

The right match: Proven technology and extra power that is fun to operate and adapts perfectly.

Agriculture is undergoing changes that challenge us and lead us to rethink in terms of chances. The 2070 model gives you the freedom to use it in any application. It is both a productive tool carrier and a traditional loader that offers clear assets with respect to force and perspective. This is arguably the reason why this model is the first choice of those who not only shape their future but who are determined to profit from it.



THE INCH-BRAKE PEDAL TRANSFERS ALL POWER TO THE HYDRAULIC CIRCUIT THAT OPERATES THE BOOM.



Inch-brake pedal. Using only one pedal for inching significantly reduces wear on the brake and increases precision at any moment – also when handling high loads.



BRAND LOYALTY.

"At Weidemann, one machine matches the other. And the entire family grows as we grow – to suit our changing needs. So it's clear that I'll be staying loyal to the brand."

G. Wilson, England
Dairy and arable farmer



Maintenance, service, value retention. Buyers who opt for a Weidemann machine opt for high dependability. Every day. For peace of mind.



“Energy takes effect.”



TECHNICAL DATA		2070 CX50 LP	2070 CX80 LP	2070 CX50	2070 CX80	2070 CX50 LP T	2070 CX80 LP T	2070 CX50 T	2070 CX80 T
ENGINE SPECIFICATIONS									
Manufacturer		Perkins	Deutz	Perkins	Deutz	Perkins	Deutz	Perkins	Deutz
Engine type		404 D- 22	TD2011 L04w	404 D- 22	TD2011 L04w	404 D- 22	TD2011 L04w	404 D- 22	TD2011 L04w
Cylinders		4	4	4	4	4	4	4	4
Max. output	kW	35.7	55.1	35.7	55.1	35.7	55.1	35.7	55.1
at	rpm	2600	2300	2600	2300	2600	2300	2600	2300
Cubic capacity	cm³	2216	3619	2216	3619	2216	3619	2216	3619
Cooling system		Water	Water	Water	Water	Water	Water	Water	Water
ELECTRIC SYSTEM									
Operating voltage	V	12	12	12	12	12	12	12	12
Battery	Ah	77	77	77	77	77	77	77	77
Alternator	A	65	95	65	95	65	95	65	95
WEIGHTS									
Operating weight (standard)	kg	3270	3360	3630	3730	3750	3860	3970	4090
Max. lift force	daN	3706	3706	3706	3706	4055	4055	4055	4055
Tipping load in bucket (ISO 8313)									
Lift mast horizontal / machine is not articulated	kg	2300	2413	2585	2688	2090 (1161)	2209 (1239)	2291 (1286)	2457 (1396)
Lift mast horizontal / machine is articulated	kg	1879	1975	2118	2228	1760 (954)	1871 (1034)	1952 (1075)	2083 (1162)
Tipping load on pallet fork (ISO 8313)									
Lift mast horizontal / machine is not articulated	kg	2058	2159	2110	2203	1775 (1037)	1864 (1114)	1953 (1176)	2092 (1274)
Lift mast horizontal / machine is articulated	kg	1700	1776	1774	1853	1494 (858)	1605 (930)	1664 (977)	1775 (1061)
MACHINE									
Ground speed	km/h	0 - 20 (28)	0 - 20 (28)	0 - 20 (28)	0 - 20 (28)	0 - 20 (28)	0 - 20 (28)	0 - 20 (28)	0 - 20 (28)
Fuel tank capacity	l	55	55	55	55	75	75	75	75
Hydraulic oil	l	65	65	65	65	65	65	65	65
HYDRAULIC SYSTEM									
External services									
Oil flow	l/min	104	128.8	104	128.8	104	128.8	104	128.8
Operating pressure	bar	450	445	450	445	450	445	450	445
Steering hydraulics									
Oil flow	l/min	49.4	51.75	49.4	51.75	49.4	51.75	49.4	51.75
Operating pressure	bar	210	210	210	210	235	235	235	235

All technical data in this brochure refer to series models that have been tested under operating conditions typical of Central Europe and describe their standard functions. Specifications and their modes of functionality as well as accessories listed in this brochure depend on the individual model and on the options available with a particular product as well as the statutory requirements of the country of sale. Illustrations used in this brochure may show products that have not been mentioned or that are not available as series production machines. The descriptions, illustrations, weights and technical data published herein are non-binding in nature and represent the technical status at the time the document went to press. Because of ongoing development, we reserve the right to make changes, without prior notice, to the design, specification, visual appearance and technology of our products. Should you require special functions that would be available only by using additional components and/or under special circumstances, please feel free to contact us. We will be happy to answer any questions you may have and to provide further information regarding whether and under what conditions applying to the product and the target environment such special functions might be feasible. If you have any concerns about the load capacity or operation of our products in certain working conditions or environments, we recommend that you perform a test run under controlled conditions. Despite meticulous attention to detail, we cannot exclude the possibility that our products may not conform to illustrations or stated dimensions, or that errors may have occurred in calculation or during printing, or that the information given here may be incomplete. Consequently, we do not accept liability for the accuracy or completeness of the information supplied in this brochure. All matters relating to our product warranty are contained within our General Terms and Conditions. We expressly decline to provide additional guarantees. Any liability over and above that contained within our General Terms and Conditions is excluded.

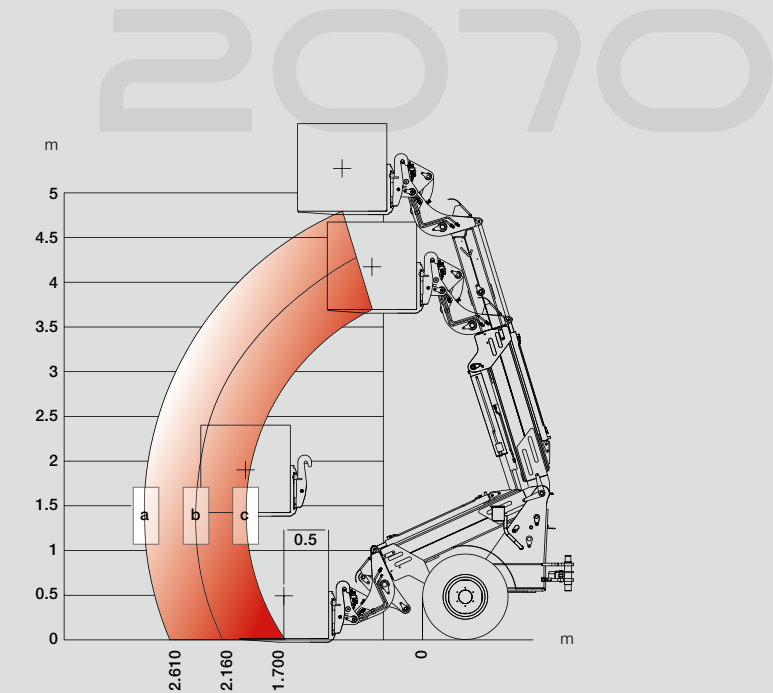
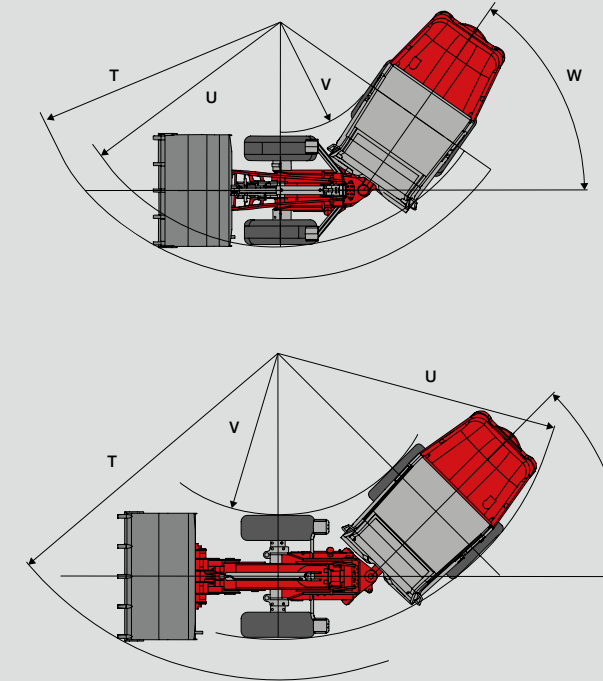
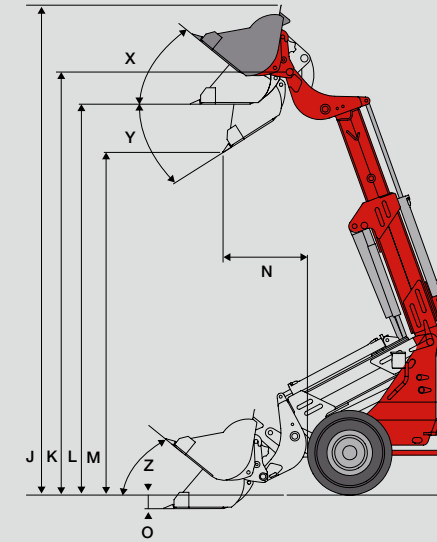
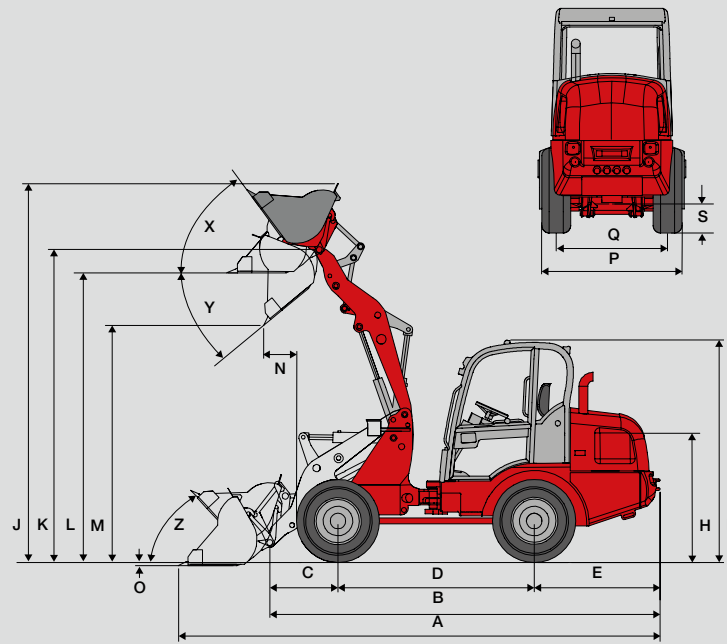
STANDARD SPECIFICATION

DRIVELINE

	2070 CX LP	2070 CX	2070 CX LP T	2070 CX T
Hydrostatic four-wheel drive	●	●	●	●
PA1200 planetary axle	●	●	●	●
Pto gearbox and driveshaft	●	●	●	●
11.5/80 - 15.3 AS ET40 tyres incl. reversible rims	●	●	●	●
100% diff lock in front and rear axles electro-hydraulic engagement	●	●	●	●
HYDRAULIC SYSTEM				
Single-handed control with float position next to the seat on the right	●	●	●	●
Joystick	●	●	●	●
Pressureless return line	○	○	●	●
Hydraulic oil cooler	●	●	●	●
Hydraulic connector DN10 at front	●	●	●	●
Hydraulic quick-fit system for attachments	●	●	●	●
Counter balance valves	○	○	●	●
Fully hydraulic pivoting articulation	●	●	●	●
CAB				
Canopy with restraint system ROPS/ROPS certified	●	-	●	-
Comfort cab with heating and ventilation system	-	●	-	●
Wipers on front and rear windows	●	●	●	●
Full suspension comfort seat with seat belt	●	●	●	●
Adjustable steering wheel	●	●	●	●
Work lights front and rear	●	●	●	●
Fuel gauge	●	●	●	●
Hour meter	●	●	●	●
Lights	○	●	○	●
German MOT expertise for road travel	○	●	○	●
OTHER EQUIPMENT				
Battery cut-off switch	●	●	●	●
Electric socket on front end	○	○	●	●

● Standard
○ Option

2070 CX LP 2070 CX 2070 CX LP T 2070 CX T



DIMENSIONS mm	2070 CX LP	2070 CX	2070 CX LP T	2070 CX T
A Overall length incl. standard bucket	4956	4956	5297 (5776)	5297 (5776)
B Overall length excl. bucket	4126	4126	4487	4487
C Axle middle to bucket pivot pin	701	701	876	876
D Wheelbase	2020	2020	2120	2120
E Rear overhang	1296	1296	1296	1296
F Height over low-profile canopy	2133	-	2133	-
Height over high-profile canopy	2248	-	2248	-
Height over cab	2133	2293	2133	2293
H Seat top height	1169	1330	1169	1330
J Overall working height	3901	3901	4954 (4705)	4954 (4705)
K Max. height at bucket pivot pin	3222	3222	4277	4277
L Unloading height*	2984	2984	3950 (4026)	3950 (4026)
M Dump height*	2444	2444	3465	3465
N Reach at M*	344	344	850	850
O Bucket digging depth*	33	33	138	138
P Overall width	1415	1415	1415	1415
Q Track width	1125	1125	1125	1125
S Ground clearance	294	294	294	294
T Maximum radius*	3510	3510	3795	3795
U Outer radius	3219	3219	3325	3325
V Inner radius	1745	1745	1881	1881
W Articulation angle	45°	45°	45°	45°
X Roll back angle at max. lift height	54°	54°	45°	45°
Y Max. dump angle*	40°	40°	32°	32°
Z Roll back angle at ground level*	48°	48°	39°	39°

* 1500 mm earth bucket Figures in () reflect pallet fork attachment

LOAD CAPACITY DIAGRAM kg

	2070 CX50 LP T	2070 CX80 LP T	2070 CX50 T	2070 CX80 T
a	515	558	586	637
b	672	725	756	813
c	897	963	999	1065

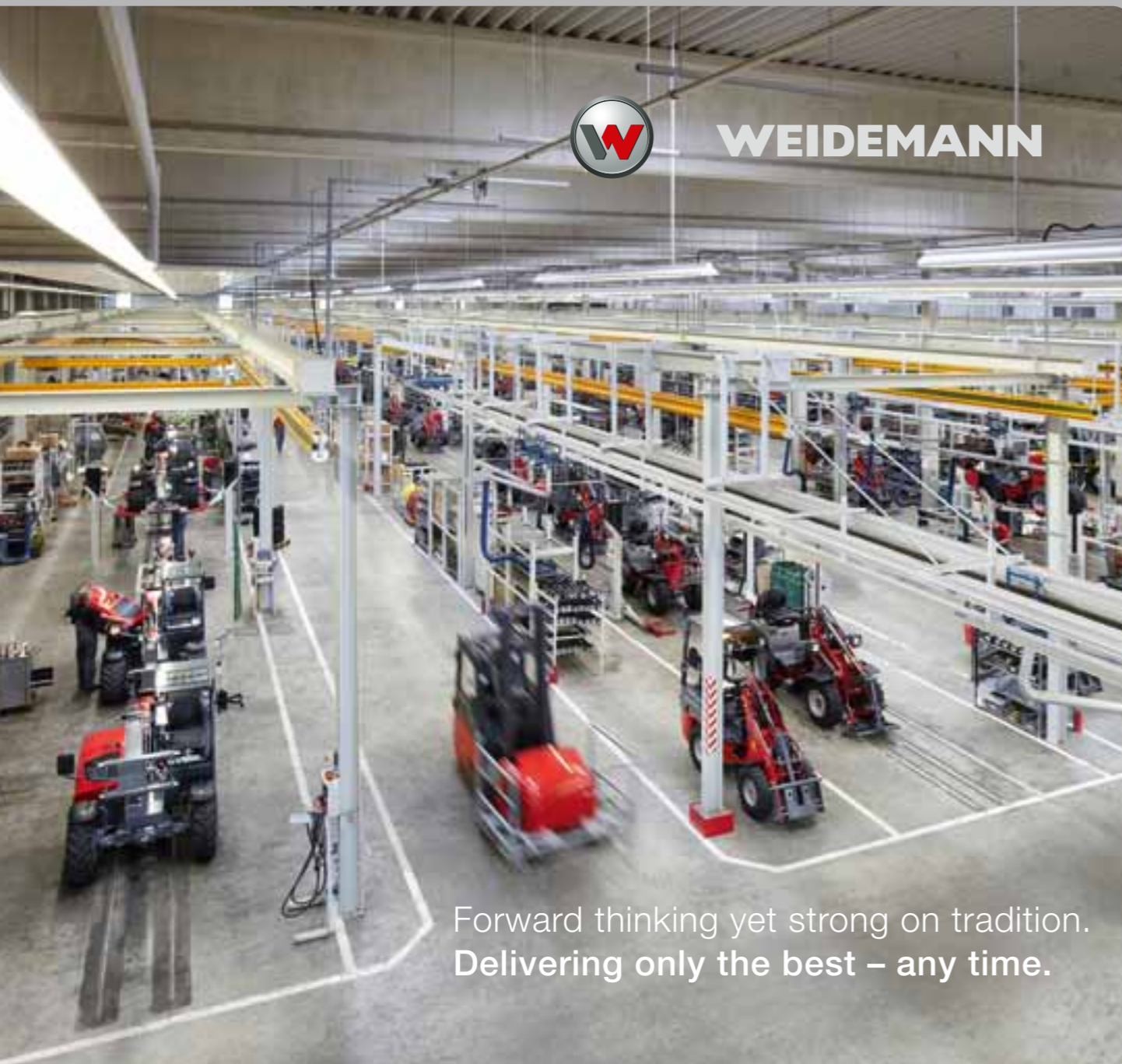
Maximum permissible load to DIN EN 474-3.

2070 CX50 LPT wheel loader with LS992 boom and standard 11.5/80-15.3 tyres.
2070 CX80 LPT wheel loader with LS992 boom and standard 11.5/80-15.3 tyres.
2070 CX50 T wheel loader with LS992 boom and standard 11.5/80-15.3 tyres.
2070 CX80 T wheel loader with LS992 boom and standard 11.5/80-15.3 tyres.
Safety factor is 1.67 for rough terrain and machine articulated to 45°.

WIDTH / REVERSED mm

	2070 CX LP	2070 CX	2070 CX LP T	2070 CX T
11.5/80 - 15.3 AS ET40	1415* / 1600*	1415* / 1600*	1415* / 1600*	1415* / 1600*
12.5/80 - 18 AS ET0	1530	1530	1530	1530
12.5/80 - 18 AS ET75	1380 / 1700	1380 / 1700	1380 / 1700	1380 / 1700
15.0/55 - 17 AS ET45	1490 / 1690	1490 / 1690	1490 / 1690	1490 / 1690
425/55 - 17 AS ET45	1540 / 1740	1540 / 1740	1540 / 1740	1540 / 1740
12 x 16.50 EM ET45	1430 / 1620	1430 / 1620	1430 / 1620	1430 / 1620
15.5/55 - 18 EM ET0	1560	1560	1560	1560
15.5/55 - 18 EM ET60	1440 / 1700	1440 / 1700	1440 / 1700	1440 / 1700

* Standard specification



WEIDEMANN

Forward thinking yet strong on tradition.
Delivering only the best – any time.

	Max. engine output	Operating weight	Max. bucket tipping load	Standard width
HOFTRAC®				
1130 CX30	18,5 kW	1530 kg	776 kg	850 mm
1140 CX30	18,5 kW	1550 kg	798 kg	850 mm
1160 CC30	18,5 kW	1910 kg	905 kg	1044 mm
1160 CC35	24,4 kW	2060 kg	994 kg	1044 mm
1230 CX30	18,5 kW	1920 kg	1064 kg	900 mm
1230 CX35	24,6 kW	1950 kg	1126 kg	900 mm
1240 CX35 LP	24,4 kW	1840 kg	1118 kg	970 mm
1240 CX35	24,6 kW	2080 kg	1158 kg	970 mm
1250 CC35	24,6 kW	2170 kg	1057 kg	1044 mm
1250 CX35	24,6 kW	2290 kg	1262 kg	1044 mm
1250 CX35 Cab	24,6 kW	2550 kg	1562 kg	1044 mm
1350 CC45	31,4 kW	2550 kg	1689 kg	1044 mm
1350 CX45	31,4 kW	2700 kg	1972 kg	1044 mm
1350 CX45 Cab	31,4 kW	2870 kg	2083 kg	1044 mm
1370 CX50	35,7 kW	2780 kg	1997 kg	1044 mm
1370 CX50 Cab	35,7 kW	2880 kg	2120 kg	1044 mm
1770 CX50	35,7 kW	2740 kg	1687 kg	1120 mm
1770 CX50 Cab	35,7 kW	2950 kg	1856 kg	1120 mm
WHEEL LOADERS				
2070 CX50 LP	35,7 kW	3270 kg	2300 kg	1415 mm
2070 CX80 LP	58,0 kW	3360 kg	2413 kg	1415 mm
2070 CX50	35,7 kW	3630 kg	2585 kg	1415 mm
2070 CX80	58,0 kW	3730 kg	2688 kg	1415 mm
3070 CX60 LP	45,0 kW	4390 kg	2851 kg	1538 mm
3070 CX80 LP	58,0 kW	4390 kg	2851 kg	1538 mm
3070 CX60	45,0 kW	4660 kg	3009 kg	1580 mm
3070 CX80	58,0 kW	4660 kg	3009 kg	1580 mm
4070 CX80 LP	58,0 kW	5230 kg	3002 kg	1750 mm
4070 CX80	58,0 kW	5480 kg	3356 kg	1750 mm
4070 CX100	74,5 kW	5730 kg	3766 kg	1750 mm
8080 CX120	88,0 kW	8400 kg	5400 kg	2240 mm
TELEHANDLERS				
2070 CX50 LP T	35,7 kW	3750 kg	2090 kg	1415 mm
2070 CX80 LP T	58,0 kW	3860 kg	2209 kg	1415 mm
2070 CX50 T	35,7 kW	3970 kg	2291 kg	1415 mm
2070 CX80 T	58,0 kW	4090 kg	2457 kg	1415 mm
3070 CX60 LP T	45,0 kW	4910 kg	2634 kg	1538 mm
3070 CX80 LP T	58,0 kW	4910 kg	2634 kg	1538 mm
3070 CX60 T	45,0 kW	5210 kg	2713 kg	1580 mm
3070 CX80 T	58,0 kW	5210 kg	2713 kg	1580 mm
4070 CX80 T	58,0 kW	5580 kg	3315 kg	1750 mm
4070 CX100 T	74,5 kW	5800 kg	3571 kg	1750 mm
T4512 CC35	22,6 kW	2530 kg	1200 kg (Payload)	1560 mm
T6025 CC70	50,0 kW	4730 kg	2500 kg (Payload)	1960 mm



High-quality powder coat finish.
Aiming for quality that lasts. Viable for all.

Honest quality through and through.
High-quality material that is strong enough to always offer reserves. That's Weidemann.





WEIDEMANN



We consider it our ongoing mission to abide by our pledge to provide quality products and services:

Reliability, credibility, flexibility, innovation, quality and responsiveness.

Compact machines from Weidemann deliver in environments where our competitors will simply walk away. Our products impress by virtue of their quality, power, dependable hydraulics, compact dimensions, innovative technology, maximum productivity and operational reliability.

Weidemann GmbH
Mühlhäuser Weg 45-49
34519 Diemelsee-Flechtendorf
Germany
Tel. +49(0)5633 609-0
Fax +49(0)5633 609-666
info@weidemann.de
www.weidemann.de