



16 tm

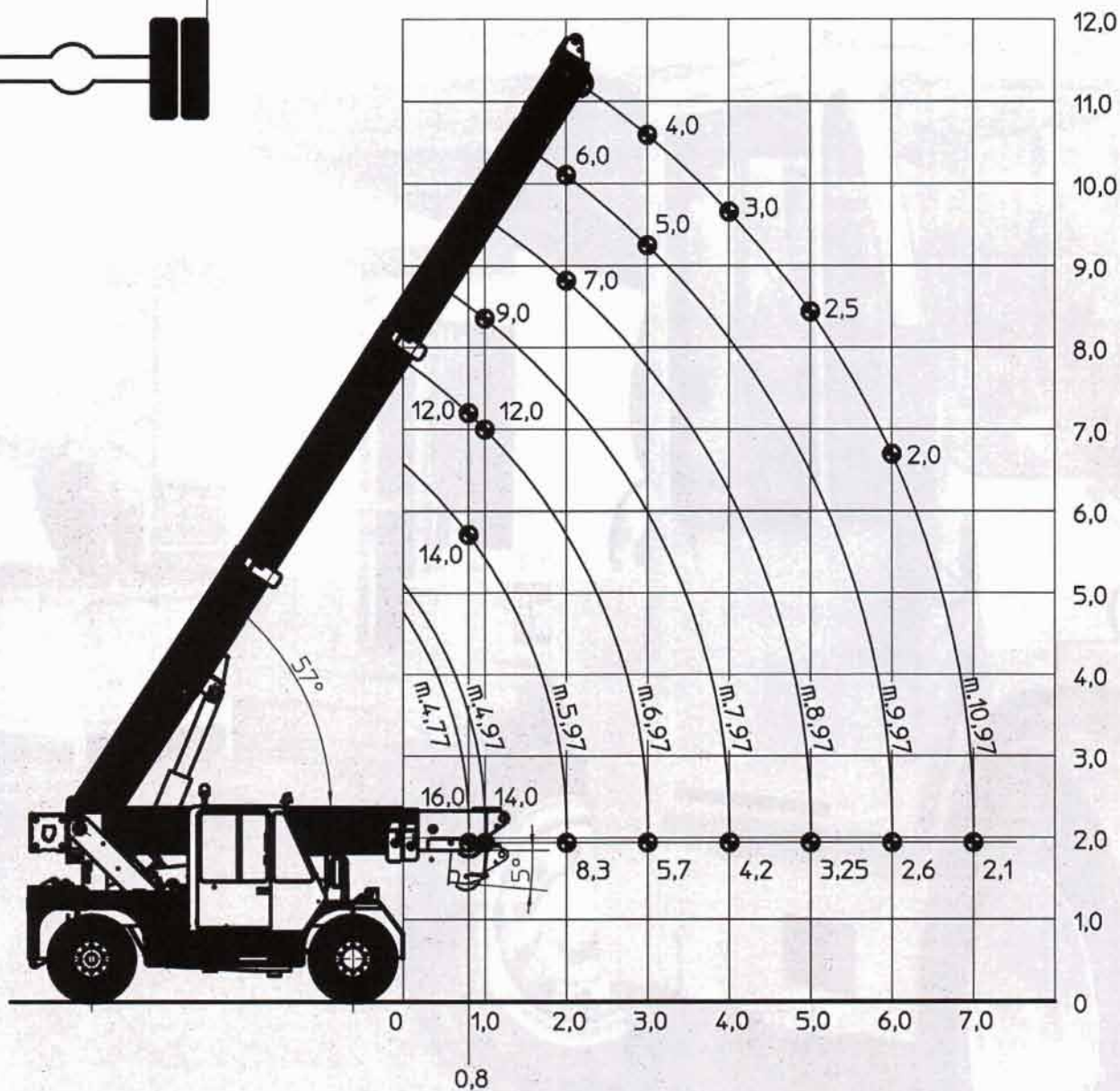
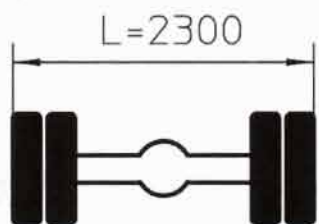
ORMIG s.p.a.

TEL. (+39) 0143 80051 r.a.
TELEFAX (+39) 0143 86568
E-mail: mktg@ormigspa.com
E-mail: sales@ormigspa.com
www.ormig.com - www.pickandcarry.com

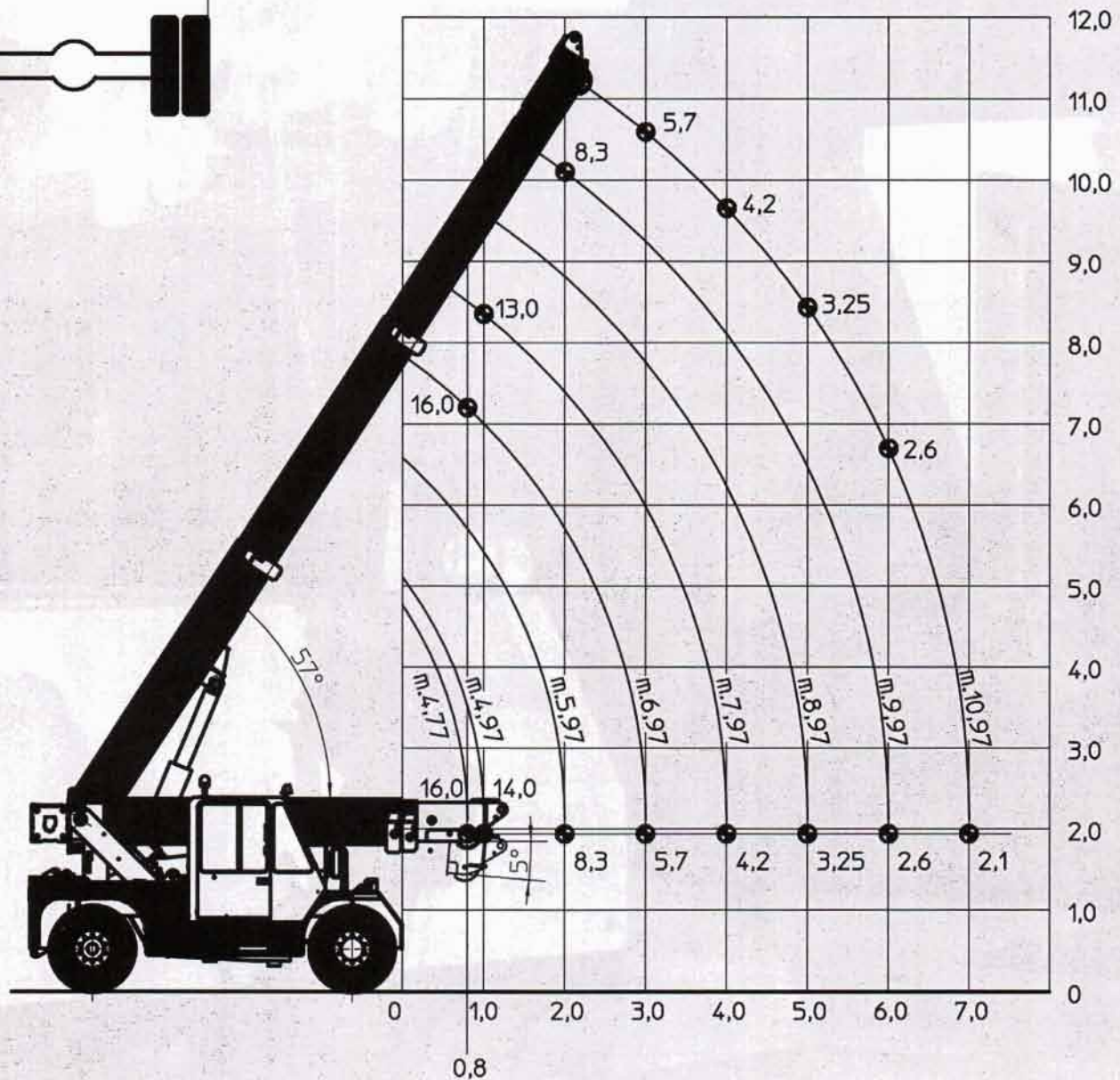
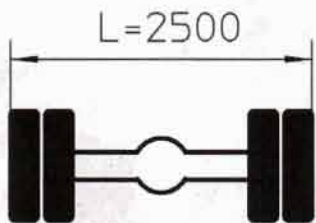
ORMIG S.p.A.
PIAZZALE ORMIG
P.O. BOX 63
15076 OVADA (AL)
ITALY

TECHNICAL FEATURES

Carrier:	4x2x2
Frame:	Structure from high quality steel, with pipes at rectangular section, connected in the front and rear part to the front axle and to the upper structure.
Engine:	Diesel Perkins 1104C-44T, 4 cylinders, 4400 c.c., 74,5 kW at 2300 rpm Fuel tank 200 litres.
Speed gearbox:	DANA transmission with torque converter, 4 forward and 3 reverse speeds.
Axles:	Front rigid driving axle. Rear steering axle with central oscillation.
Tyres:	10.00 R20, double tyres at front axle and single tyre at rear axle.
Steering:	Hydraulic steering with hydraulic drive DANFOSS.
Brakes:	In compliance with EEC regulations. Hydraulic service and emergency brake at front and rear wheels. Mechanic parking brake, spring type, at front wheels, with hydraulic unlock control.
Driving place:	Dashboard complete with all controls and indicators, ergonomic seat and protections for the driver.
Electric system:	24V, alternator 75A - 2 batteries of 100 Ah
Boom:	Fabricated from plate at high strength. It is formed by a fix base and two extensions at oleodynamic extraction by means of double acting cylinders. Fix hook at boom head.
Hydraulic system:	One axial pistons pump at variable delivery; compensated hydraulic proportional distributor with calibration valves; hydraulic keysenders.
Safe load device:	Electronic, active type, providing cut out of the controls which can cause dangerous conditions and in compliance with regulations in force.
Road certification:	The crane can be certified for travelling on road.
Weight:	Total weight 14100 Kg Front axle 4900 Kg Rear axle 9200 Kg
Equipment on request:	<ul style="list-style-type: none">• Closed cab with heater• Winch with rope, hookblock and end of stroke• Hydraulic and mechanic special flyjibs• Forks• Additional counterweight

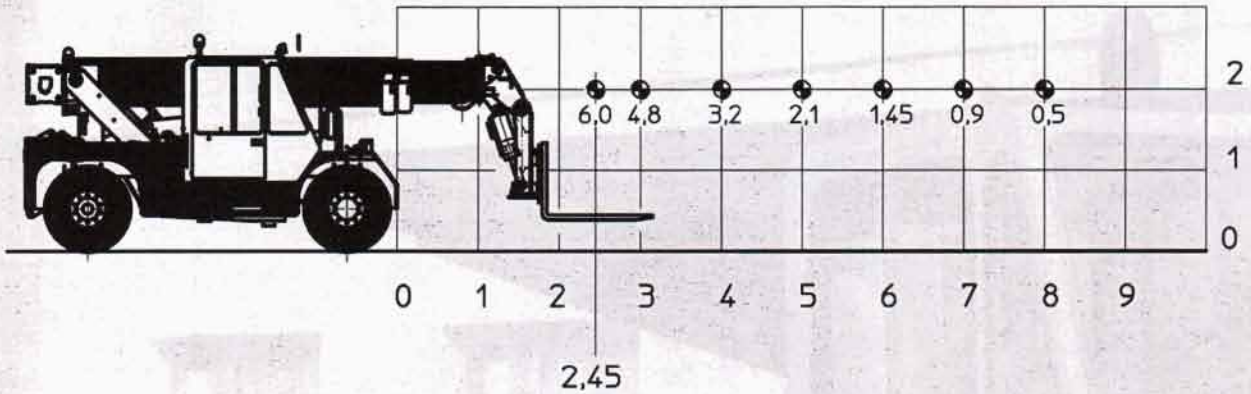
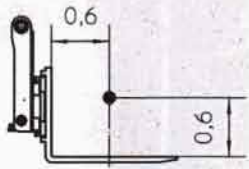


- * Portate determinate da fattori diversi dal ribaltamento
- * Capacities determined by factors other than tipping load

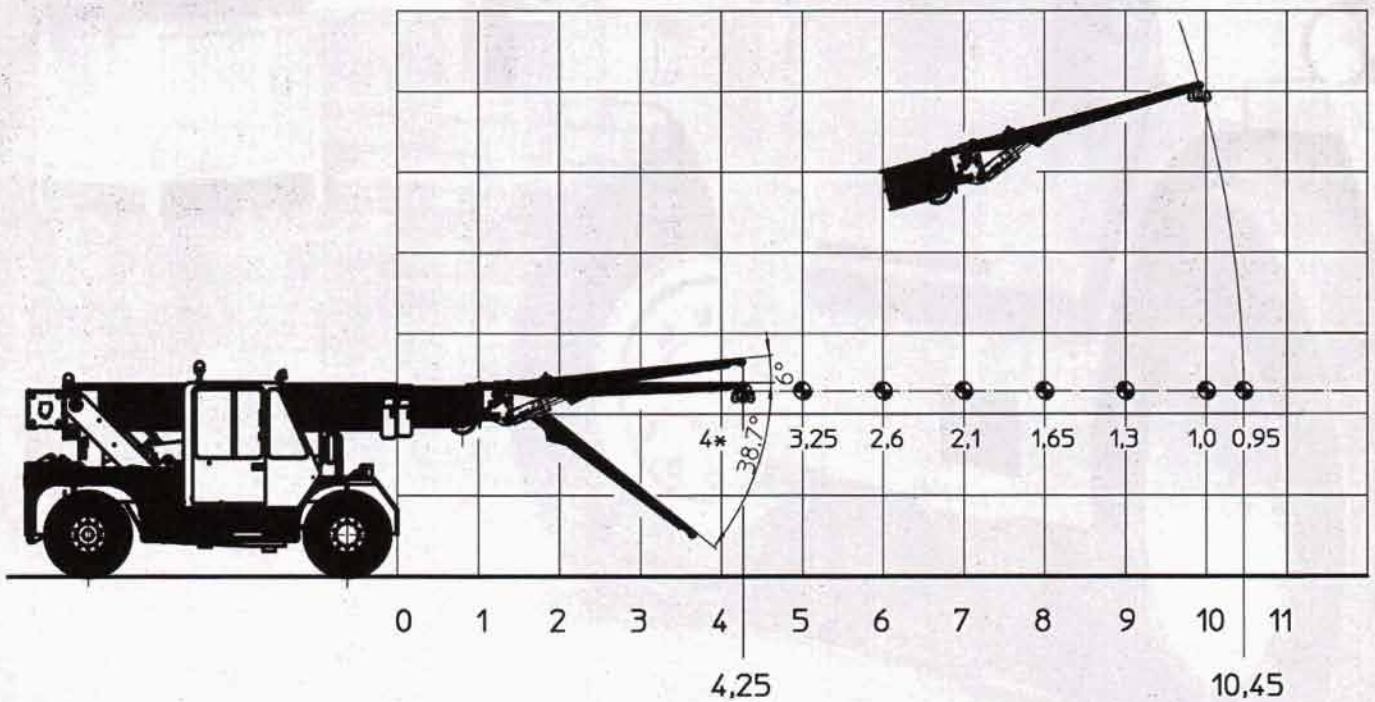


- * Portate determinate da fattori diversi dal ribaltamento
- * Capacities determined by factors other than tipping load

Lifting capacity chart with forks (tonnes)



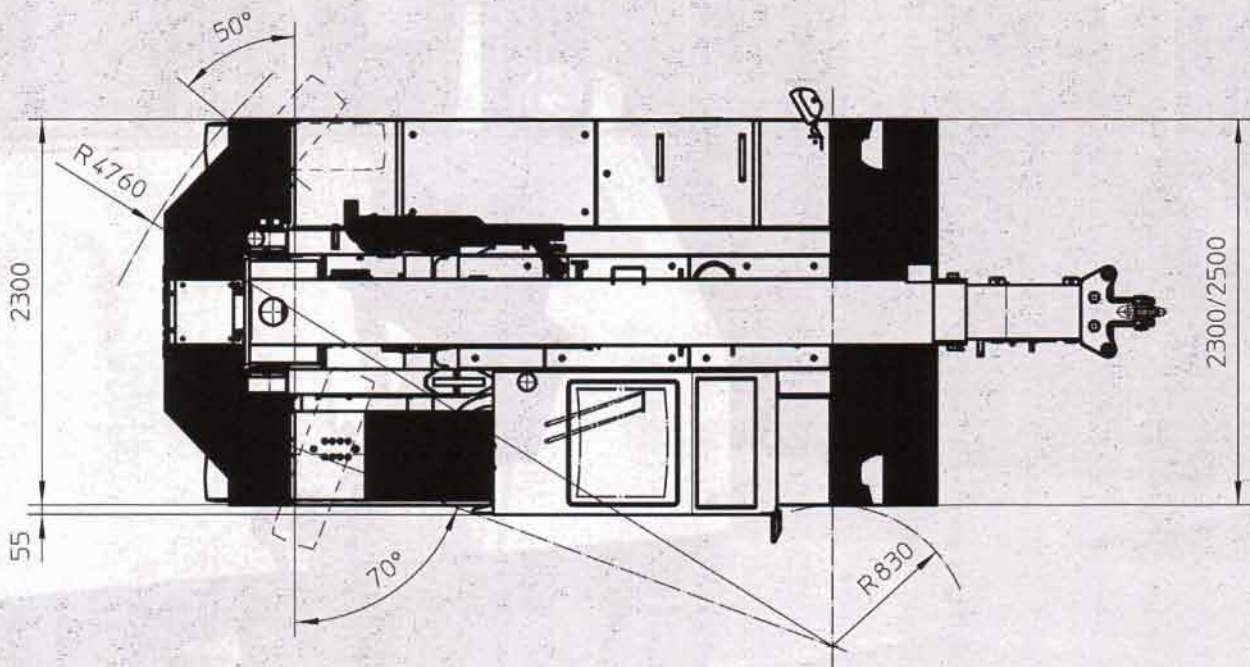
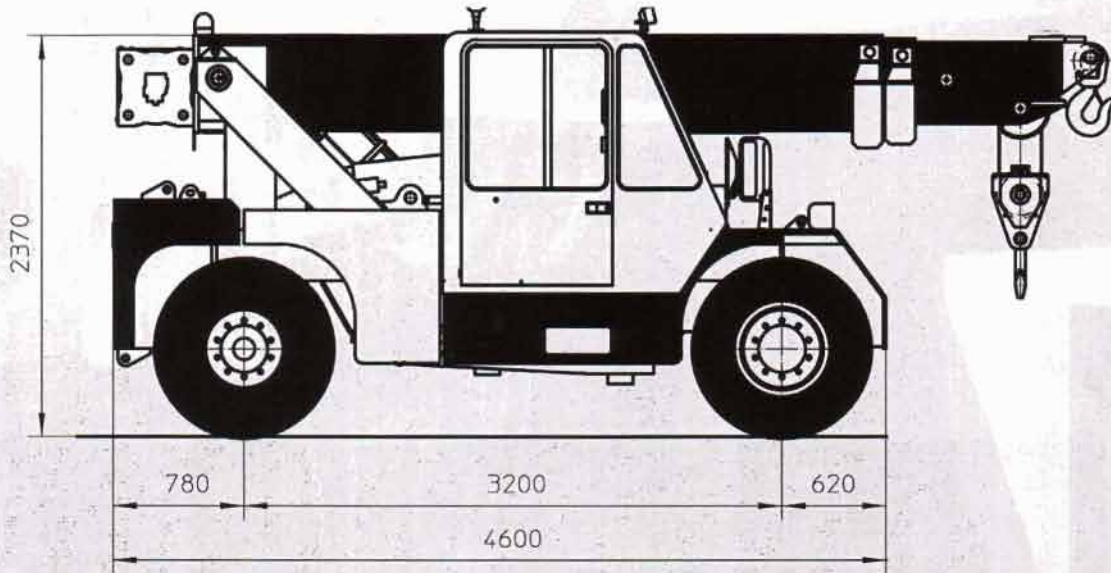
Lifting capacity Chart with fly - jibs (tonnes)



- * Portate determinate da fattori diversi dal ribaltamento
- * Capacities determined by factors other than tipping load

Dimensioni Generali

General Dimensions





TEL. (+39) 0143 80051 r.a.
TELEFAX (+39) 0143 86568
E-mail: mktg@ormigspa.com
E-mail: sales@ormigspa.com
www.ormig.com - www.pickandcarry.com

ORMIG S.p.A.
PIAZZALE ORMIG
P.O. BOX 63
15076 OVADA (AL)
ITALY