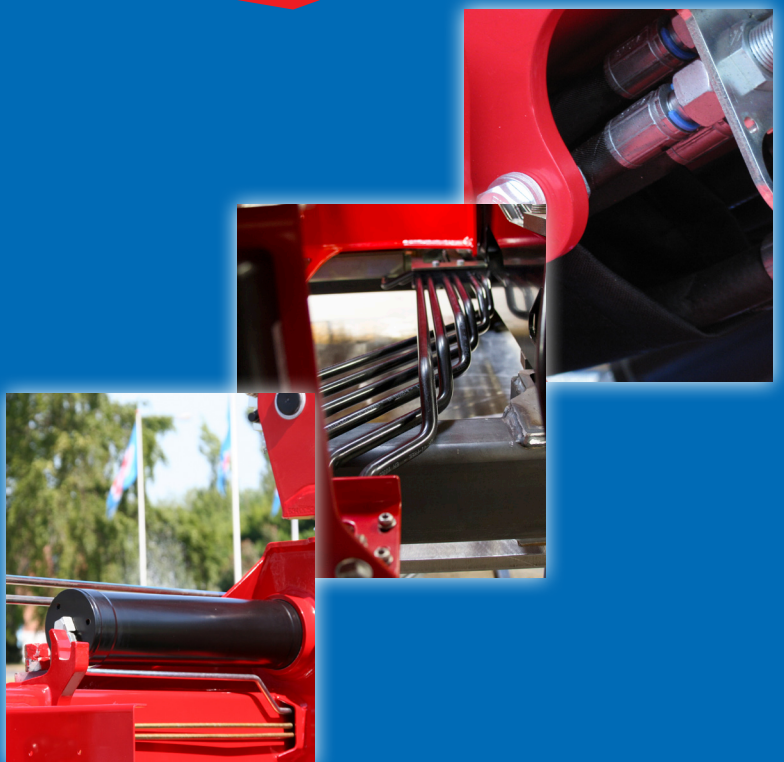


# 1330-KS



- power to lift





LOADING GROUP HC1/HD5/B3		1330-KS1	1330-KS2	1330-KS3
Type			KX+	
<b>TECHNICAL DATA</b>				
Load moment	tm	12.5	12.2	11.9
Hydraulic reach	m	5.3	7.5	9.8
Slewing torque	kgm		1325	
Slewing angle	°		420	
Working pressure	bar		345	
Weight excl. stabilizer legs	kg	1100	1225	1335
Weight of stabilizer legs, standard	kg		170	
Pump performance	l/min		70-100	
Oil tank capacity, separate tank	l		74	
Power consumption	kW		40-58	
<b>GEOMETRY</b>				
Height above mounting surface	mm		2135	
Width, folded	mm		2500	
Length of crane, no extra valves	mm		747	
Hook height 1.5 m from column	m		747	
Single Power Plus link arm System			Basic	
Over-bending on crane	°		15	
Hook height 1 m from column	m	3.30	3.18	3.07
<b>CONTROL MODE</b>				
Radio remote control of crane			Basic	
Manual operation of stabilizer functions			Basic	
Remote control box with HMF InfoCentre			Option	
Remote control box, linear control levers (L) or joysticks (J)			L / J	
Stand-up controls with bracket for radio remote control box			Option	
Top seat on column with bracket for remote control box			Option	
<b>CONTROLS</b>				
RCL 5300 Safety System			Basic	
Proportional control valve type (-d) for radio remote control			Basic	
Dual control of stabilizer functions (crane)			Basic	
Electronic speed adaptation system HDL-d			Basic	
<b>OPTIONS: HYDRAULIC EQUIPMENT</b>				
Oil cooler			Option	
Fixed or variable flow pump			Option	
Hydraulically extensible stabilizer beam			Option	
Multi-coupling for extra valves in hose guides			Option	
1500 kg hydraulic winch on the crane			Option	
2-part snatch block			Option	
Radio remote controlled stabilizer functions			Option	
Extra valves in hose guides			Option	
Extra valves in hose reels internally in the jib extensions			Option	
3 <sup>rd</sup> extra valve with electric reverser			Option	
74 l oil tank mounted on the crane			Option	
<b>OTHER EQUIPMENT</b>				
Number of manual extensions			1	1
Work light on crane			Option	
2 or 4 available functions for operating the separate traverse			Option	
Biodegradable oil			Option	
Manual swing-up stabilizer leg with gas spring			Option	



### HMF RCL 5300

The system monitors all safety functions and shows the current load moment on the crane.



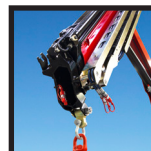
### Minimum space requirements

Minimum space requirements give you more space on the truck body - and better economy.



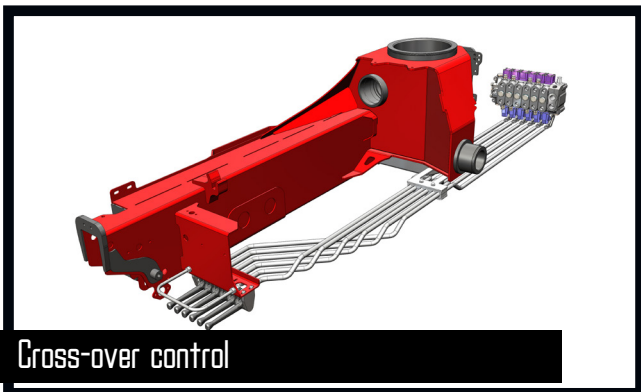
### Single link arm system

The HMF single Power Plus link arm system has an excellent lifting capacity at long reach and works particularly fast when loading and unloading with grab.



### Extra valves, guides

1 or 2 extra valves are fed in sturdy hose guides alongside the jib extension system.



**Cross-over control**

The lever sequence on manually operated cranes with ground control (JS) can be transferred via cross-over control rods to the opposite side of the crane. Thanks to cross-over controls, you obtain that the control lever sequence is the same in both sides of the crane, i.e. the sequence is from the left: "Slew", "boom", "jib" and "extension". The rods are made of particularly sturdy steel pipes for precise and efficient control of the movements.



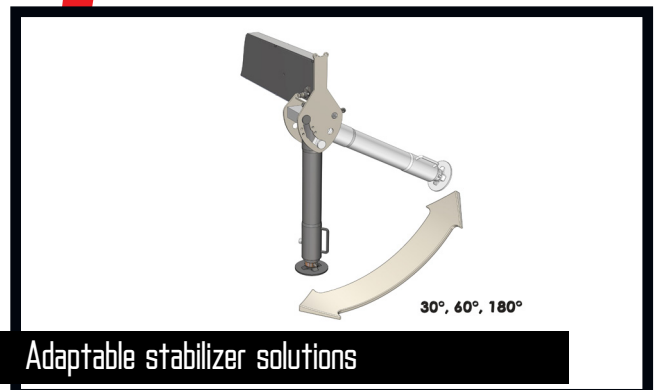
**Short knuckle boom system (KS)**

The short knuckle boom system (KS) is equipped with a shorter jib than a standard knuckle-boom system. Thanks to a short knuckle boom system, the crane fitted with a grab, can be stowed while extended in a platform body of 4 m without dismantling the grab. The lifting height close to the column is increased with more than 3 m and in this way offers the possibility of lifting tall items close to the column. The boom system is available with 1, 2 or 3 hydraulic extensions.



**Stand-up control**

With stand-up control, the crane operator has an increased overview of the crane movements. Especially when loading and unloading the platform body with e.g. grab or pallet fork, the crane operator has the full view of both the platform body and the working area. The crane operator is protected by the HSL or HSL-E safety system which prevents the crane from hitting the operator on the stand-up platform.



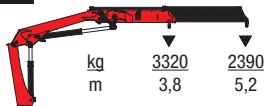
**Adaptable stabilizer solutions**

The stabilizer legs of the crane are to ensure stability - however they still have to be easy to handle and must not take up too much space when not in use. Therefore you can choose between fixed stabilizer legs, manual swing-up stabilizer legs to 180° with gas spring or fully hydraulic swing-up stabilizer legs to 180°. Stabilizer beams can be freely selected as hydraulically extensible or manually extensible, also in connection with the sophisticated EVS stability monitoring.

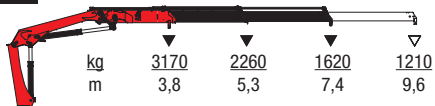


- power to lift

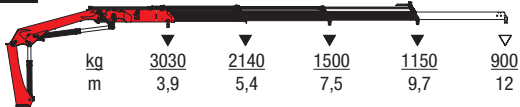
1330-KS1



1330-KS2



1330-KS3



▼ Lifting capacity without manual extensions  
 ▽ Lifting capacity with manual extensions



- power to lift  
**HMF Group A/S**

Oddervej 200 · DK-8270 Højbjerg  
 Tel.: +45 8627 0800 · Fax: +45 8627 0744 · info@hmf.dk

[www.hmf.dk](http://www.hmf.dk)

Z008794-02

We reserve the right to introduce improvements and modifications